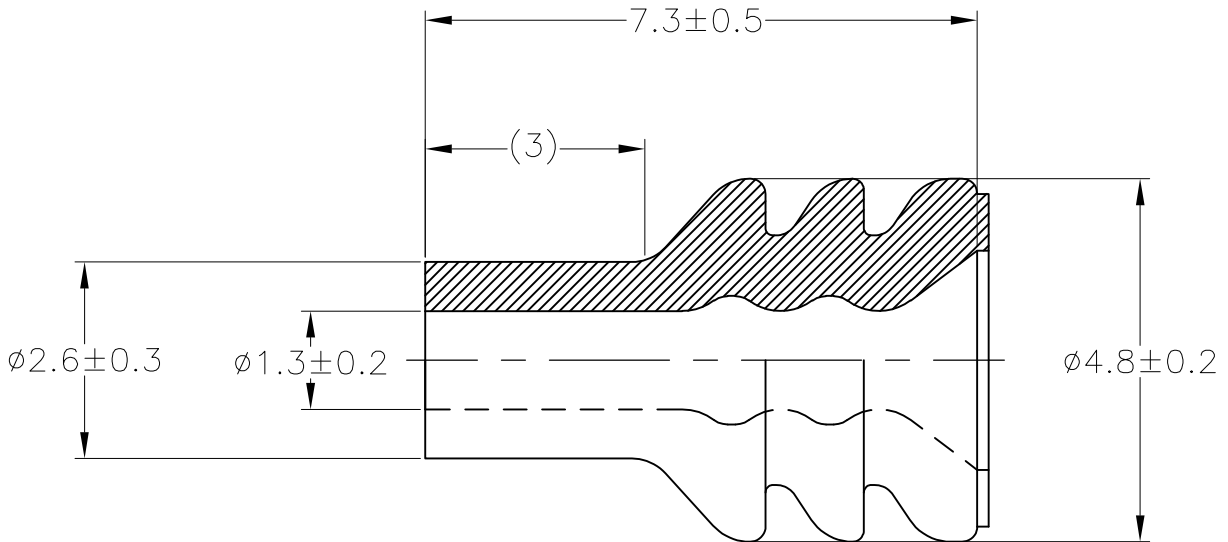


LOC J	DIST —	REVISIONS					
		P	LTR	DESCRIPTION	DATE	DWN	APVD
			A	RELEASED	06AUG14	DM	TK



- 1. 材料;NBR フタル酸フリー
- 1. MATERIAL;NBR NON-BIS TYPE

INSULATION DIA  
 $\phi 1.4 \sim \phi 2.1 \text{mm}$

NBR	BLACK	2822356-1
MATERIAL	COLOR	PART NUMBER

DIMENSIONS: mm	DWN D.MATSUURA	06AUG2014	MATERIAL	SEE TABLE	FINISH	—
	CHK S.IWATANI	06AUG2014	TE Connectivity			
TOLERANCES UNLESS OTHERWISE SPECIFIED:	APVD T.KOHNO	06AUG2014				
	0 PLC	± -	PRODUCT SPEC	108-5262	NAME NEW RUBBER PLUG (S)	
1 PLC	± -	APPLICATION SPEC	108-5179	SIZE	CAGE CODE	DRAWING NO
2 PLC	± -			A4	00779	C-2822356
3 PLC	± -					
4 PLC	± -					
ANGLES	± -					
		WEIGHT	0.1 g			
CUSTOMER DRAWING			SCALE	10:1	SHEET	1 OF 1
						REV A

THIS DRAWING IS UNPUBLISHED.

ALL RIGHTS RESERVED.

Tyco Electronics Japan G.K.

COPYRIGHT 2014

单击下面可查看定价，库存，交付和生命周期等信息

[>>TE Connectivity\(泰科\)](#)