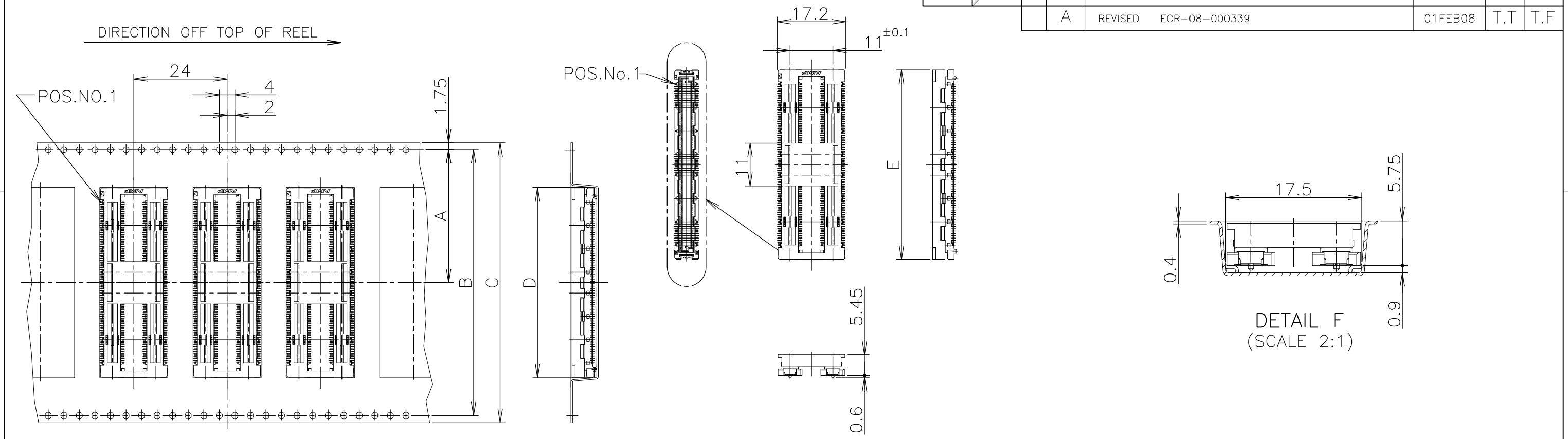


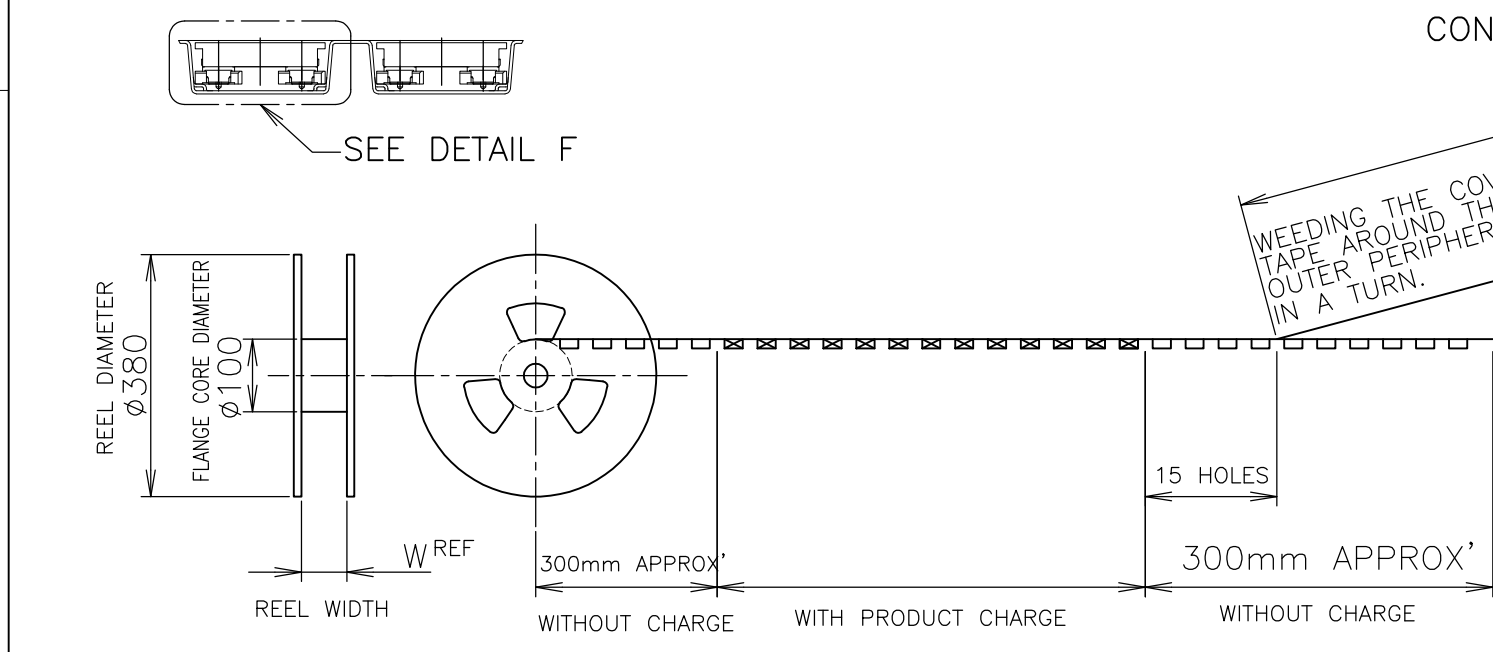
THIS DRAWING IS UNPUBLISHED. RELEASED FOR PUBLICATION JUN , 1996.
 © COPYRIGHT 1996 BY TYCO ELECTRONICS CORPORATION. ALL RIGHTS RESERVED.

| LOC | DIST | REVISIONS | | | | | |
|-----|------|-----------|---------|---------------|---------|-----|------|
| J | | P | LTR | DESCRIPTION | DATE | DWN | APVD |
| | | A | REVISED | ECR-08-000339 | 01FEB08 | T.T | T.F |



CONNECTOR DETAIL

WEEDING THE COVER TAPE AROUND THE OUTER PERIPHERY IN A TURN.



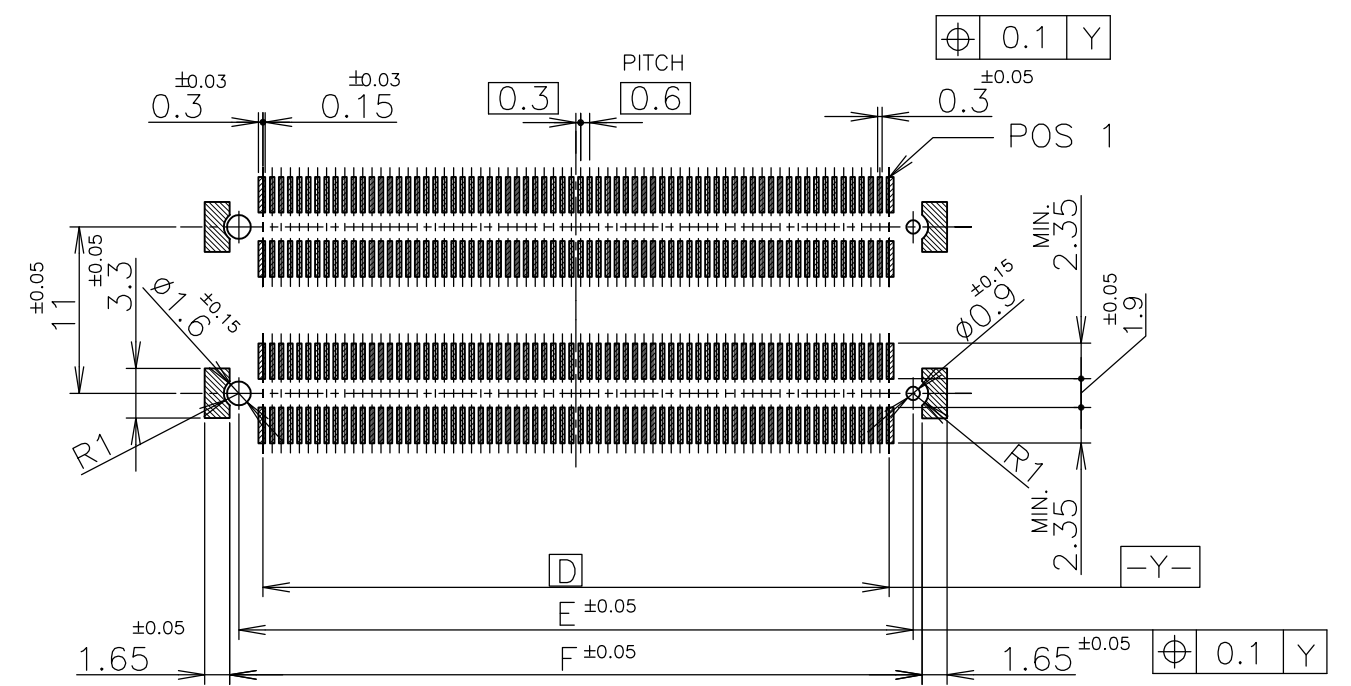
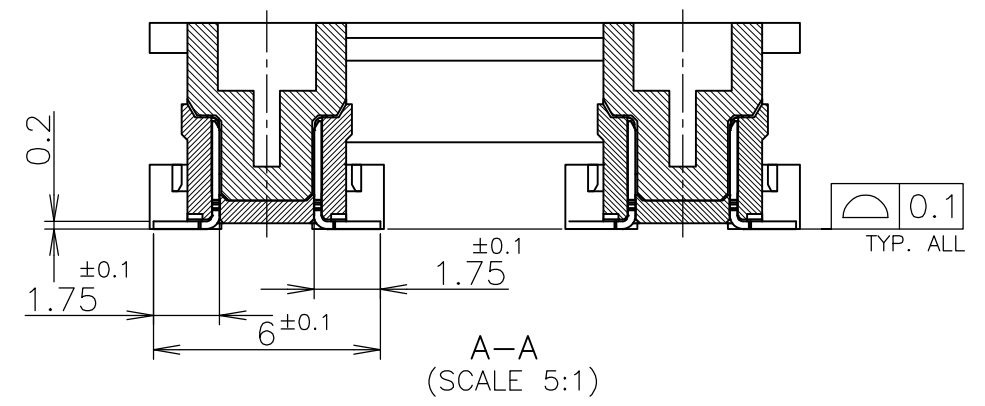
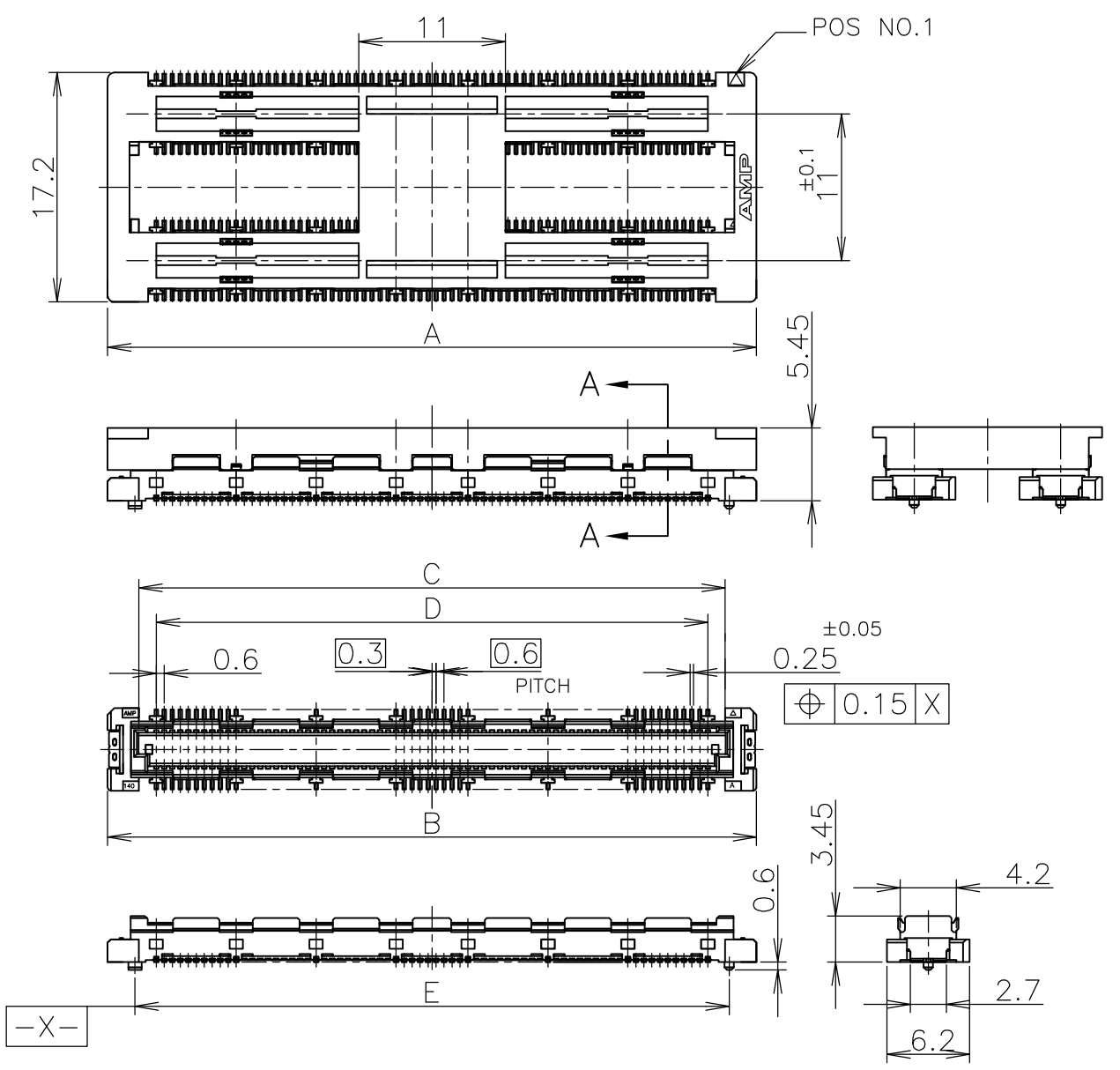
| | | | | | | | | | | |
|----------------|---------------|-----|------|------|----|----|------|------|----------|-------------|
| SEALANT | NOT AVAILABLE | 550 | 77.5 | 54.7 | 55 | 72 | 68.4 | 34.2 | 320 | 6-5353284-1 |
| | AVAILABLE | ↑ | 77.5 | 48.7 | 49 | 72 | 68.4 | 34.2 | 280 | 6-↑-0 |
| | NOT AVAILABLE | ↑ | 61.5 | 42.7 | 43 | 56 | 52.4 | 26.2 | 240 | 5-↑-9 |
| NON SEALANT | NOT AVAILABLE | 550 | 61.5 | 36.7 | 37 | 56 | 52.4 | 26.2 | 200 | 5-5353284-8 |
| | AVAILABLE | ↑ | 77.5 | 48.7 | 49 | 72 | 68.4 | 34.2 | 280 | 1-↑-0 |
| | NOT AVAILABLE | ↑ | 61.5 | 42.7 | 43 | 56 | 52.4 | 26.2 | 240 | ↑-9 |
| TOOLING STATUS | QTY. | W | E | D | C | B | A | POS. | PART NO. | |

THIS PRODUCT WAS COATED BY FLUX-PENETRATION-INHIBITING AGENT.

| | | | | | | | |
|---|--|------------------|------------|-----------|---------|------------------------------|--|
| THIS DRAWING IS A CONTROLLED DOCUMENT. | | DWN | HAWKING HE | | 14DEC04 | Tyco Electronics Corporation | |
| DIMENSIONS: 单位: 耗 mm | | CHK | STEVEN YAO | | 14DEC04 | Kawasaki, Japan | |
| TOLERANCES UNLESS OTHERWISE SPECIFIED: 一般公差 | | APVD | I.ENOMOTO | | 14DEC04 | NAME 名称 | |
| 0 PLC ± 0.2 | | PRODUCT SPEC | | 108-60047 | | EMBOSS ASSY | |
| 1 PLC ± 0.2 | | APPLICATION SPEC | | 114-5255 | | FH 0.6BTB CONNECTOR | |
| 2 PLC ± 0.2 | | 取付適用規格 | | A300779 | | PLUG 4H 2ROW TYPE | |
| 3 PLC ± 0.2 | | WEIGHT | | G-5353284 | | RESTRICTED TO | |
| 4 PLC ± 0.2 | | CUSTOMER DRAWING | | SCALE 1:1 | | SHEET 1 OF 3 | |
| ANGLES ± 5' | | FINISH 仕上 | | REV A | | | |

THIS DRAWING IS UNPUBLISHED. RELEASED FOR PUBLICATION JUN ,1996.
 © COPYRIGHT 1996 BY TYCO ELECTRONICS CORPORATION. ALL RIGHTS RESERVED.

| LOC | DIST | REVISIONS | | | DATE | DWN | APVD |
|-----|------|-----------|-----|-------------|------|-----|------|
| J | | P | LTR | DESCRIPTION | | | |
| | | | | SEE SHEET 1 | - | - | - |



| | | | | | | | | |
|----------------|------|------|------|----|------|------|-----|-------------|
| NOT AVAILABLE | 51.8 | 50.6 | 47.4 | 50 | 54.7 | 54.7 | 320 | 1-353120-1 |
| AVAILABLE | 45.8 | 44.6 | 41.4 | 44 | 48.7 | 48.7 | 280 | 1-1123905-0 |
| NOT AVAILABLE | 39.8 | 38.6 | 35.4 | 38 | 42.7 | 42.7 | 240 | 353120-9 |
| AVAILABLE | 33.8 | 32.6 | 29.4 | 32 | 36.7 | 36.7 | 200 | 353120-8 |
| TOOLING STATUS | F | E | D | C | B | A | POS | CAP P/N |

- 1 MATERIAL ; HOUSING : HIGH TEMP THERMO PLASTIC UL94V-0 CONTACT : COPPER ALLOY
- 2 FINISH ; UNDER PL Ni 0.0013mm MIN ALL OVER. CONTACT AREA 0.0002 MIN Au PL. SOLDERING AREA 0.001 MIN TIN PL.
- 3 THIS POSITION IS GROUND CIRCUIT.

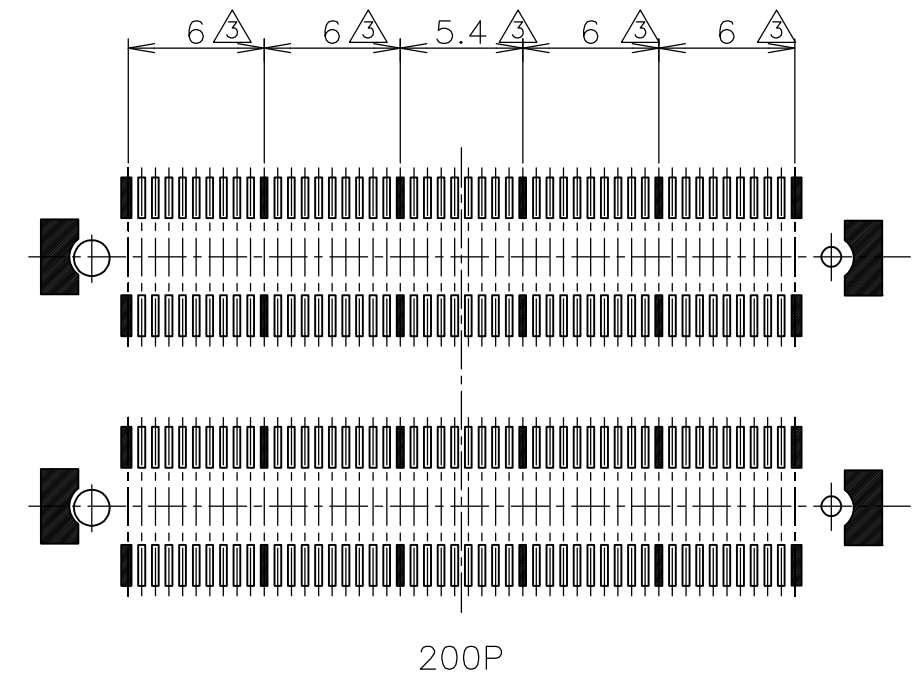
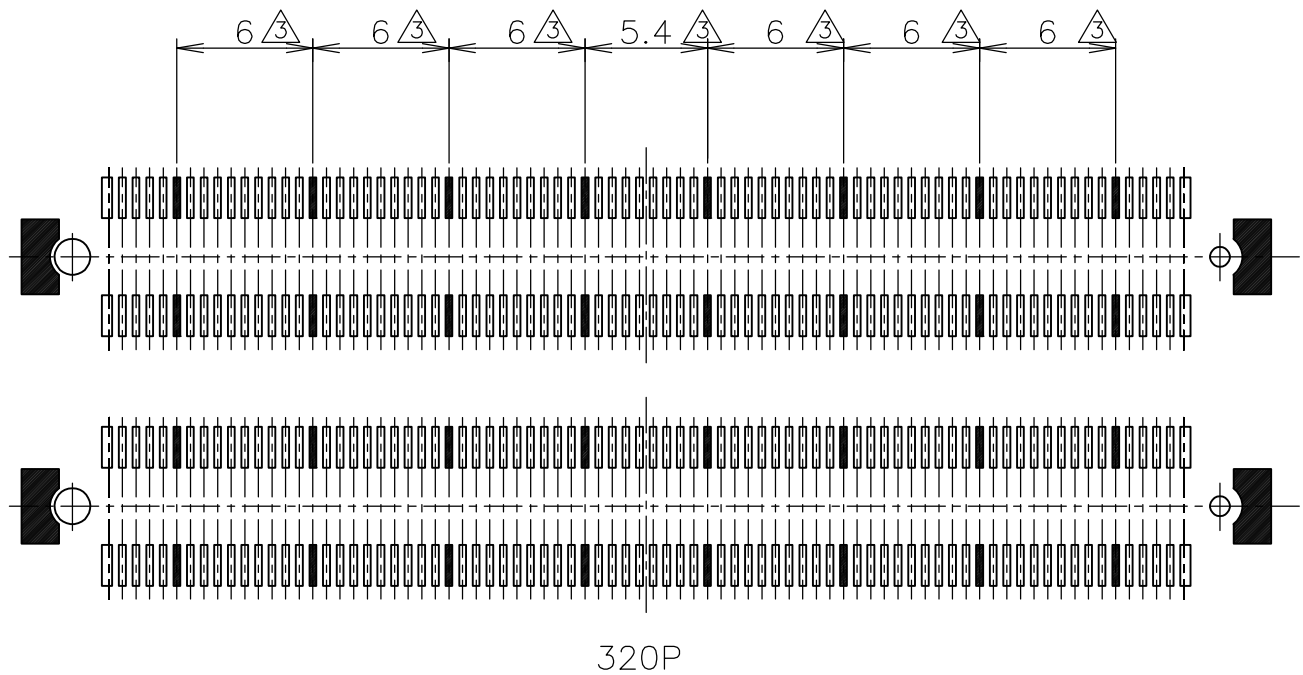
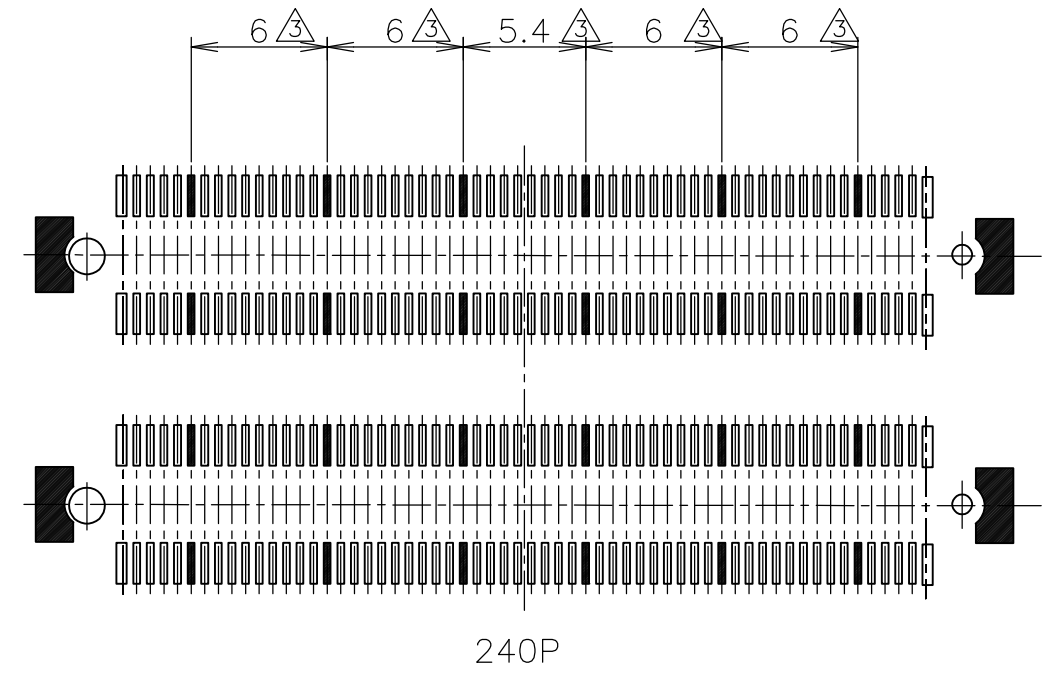
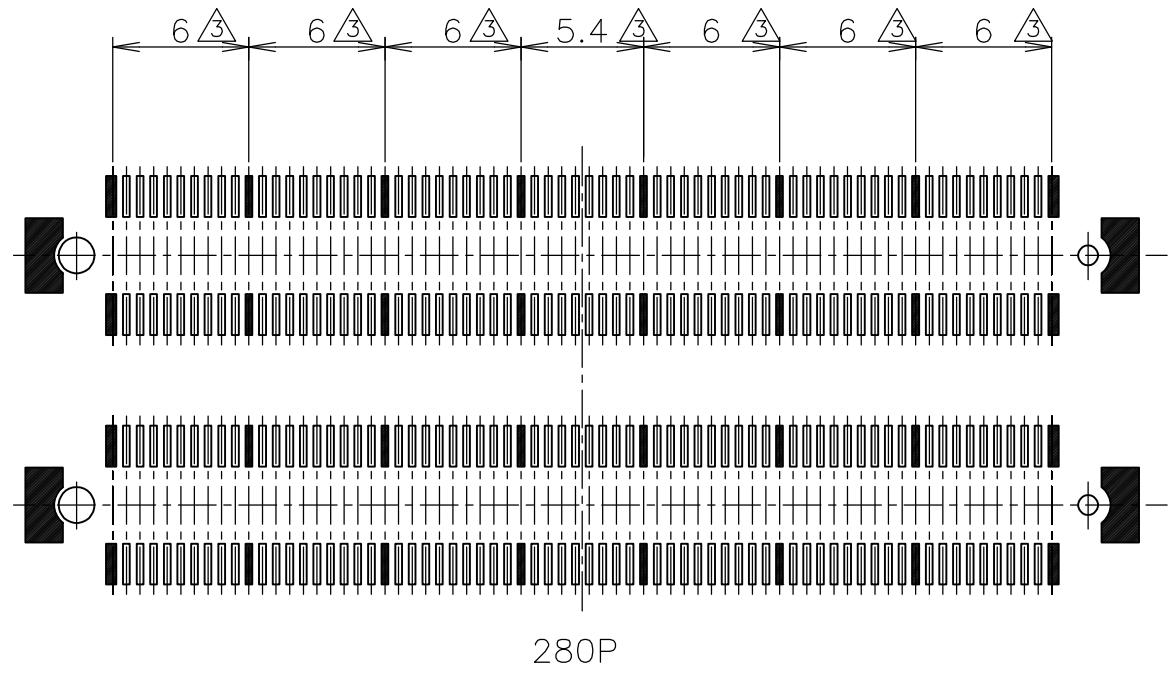
| GENERAL TOLERANCE 一般公差 | |
|------------------------|-----------|
| 10 ≥ | ±0.2 |
| 30 ≥ | >10:±0.25 |
| 100 ≥ | >30:±0.3 |
| ANGLES:±3° | |

THIS DRAWING IS A CONTROLLED DOCUMENT.

| | | | | |
|----------------------|---|-------------------------|---|---------------|
| DIMENSIONS: 单位: 耗 mm | TOLERANCES UNLESS OTHERWISE SPECIFIED: 一般公差 | DWN | Tyco Electronics Corporation Kawasaki, Japan | |
| 0 PLC ± - | 1 PLC ± - | CHK | NAME 名称 | |
| 2 PLC ± - | 3 PLC ± - | APVD | EMBOSS ASSY | |
| 4 PLC ± - | ANGLES ± - | PRODUCT SPEC 製品規格 | FH 0.6BTB CONNECTOR | |
| MATERIAL 材料 | FINISH 仕上 | APPLICATION SPEC 取付適用規格 | SIZE | CAGE CODE |
| | | WEIGHT | A3 | 00779 |
| | | | DRAWING NO 番号 | RESTRICTED TO |
| | | | G-5353284 | |
| | | | CUSTOMER DRAWING | SCALE 尺度 2:1 |
| | | | | SHEET 2 OF 3 |
| | | | | REV A |

THIS DRAWING IS UNPUBLISHED. RELEASED FOR PUBLICATION JUN , 1996.
 © COPYRIGHT 1996 BY TYCO ELECTRONICS CORPORATION. ALL RIGHTS RESERVED.

| LOC | DIST | REVISIONS 変更 | | | DATE | DWN | APVD |
|-----|------|-----------------|-----|-------------|------|-----|------|
| J | | P | LTR | DESCRIPTION | | | |
| | | | - | SEE SHEET 1 | - | - | - |



GENERAL TOLERANCE
一般公差

10 ≥ ±0.2
 30 ≥ >10: ±0.25
 100 ≥ >30: ±0.3
 ANGLES: ±3°

| | | | | | |
|--|---|----------------------------|---|-----------|------------------|
| THIS DRAWING IS A CONTROLLED DOCUMENT. | | DWN | Tyco Electronics Corporation Kawasaki, Japan | | |
| DIMENSIONS: 単位: 耗 mm | TOLERANCES UNLESS OTHERWISE SPECIFIED: 一般公差 | CHK | NAME 名称 | | |
| | 0 PLC ± - | APVD | EMBOSS ASSY | | |
| | 1 PLC ± - | PRODUCT SPEC 製品規格 | FH 0.6BTB CONNECTOR | | |
| | 2 PLC ± - | APPLICATION SPEC 取付適用規格 | PLUG 4H 2ROW TYPE | | |
| | 3 PLC ± - | WEIGHT | SIZE | CAGE CODE | DRAWING NO 番号 |
| | 4 PLC ± - | CUSTOMER DRAWING | A3 | 00779 | G-5353284 |
| | ANGLES ± - | SCALE 尺度 | 3:1 | | SHEET 3 OF 3 |
| MATERIAL 材料 | FINISH 仕上 | RESTRICTED TO | | REV A | |

单击下面可查看定价，库存，交付和生命周期等信息

[>>TE Connectivity\(泰科\)](#)