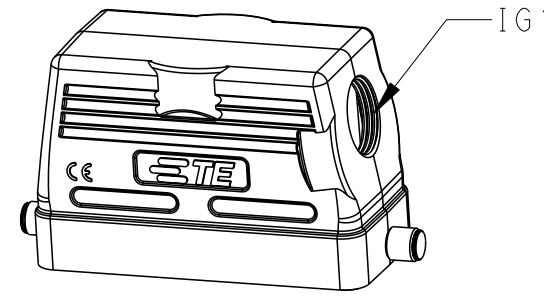
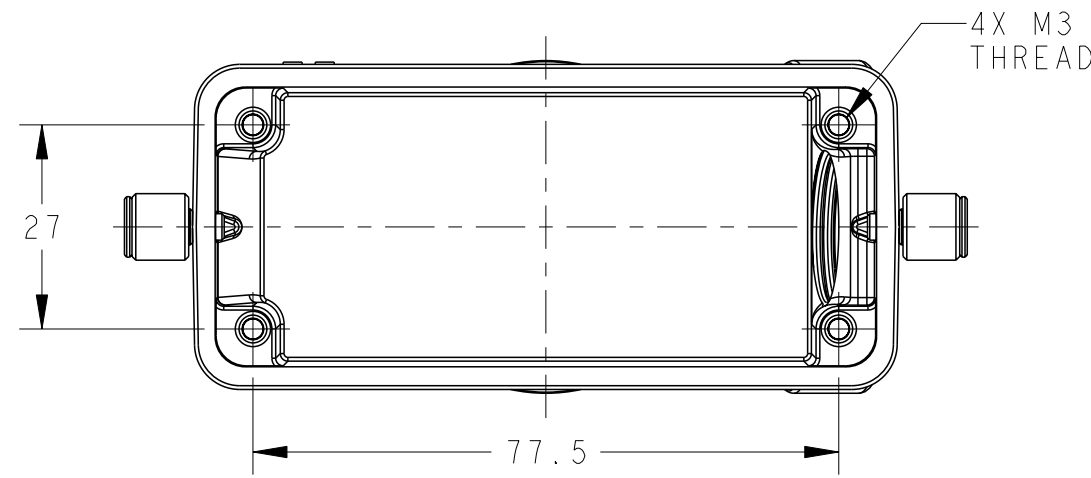
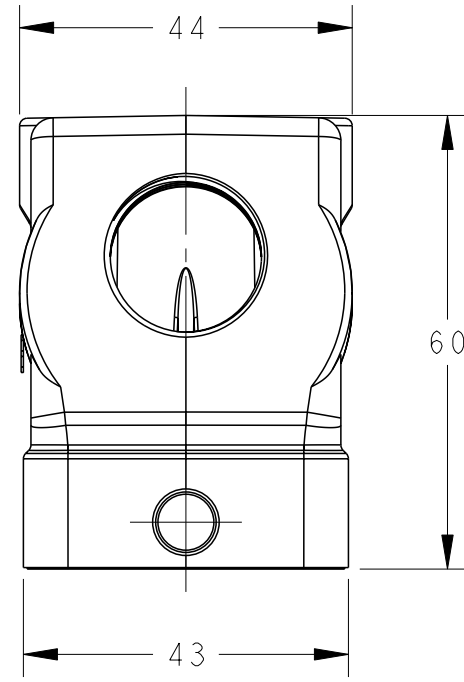
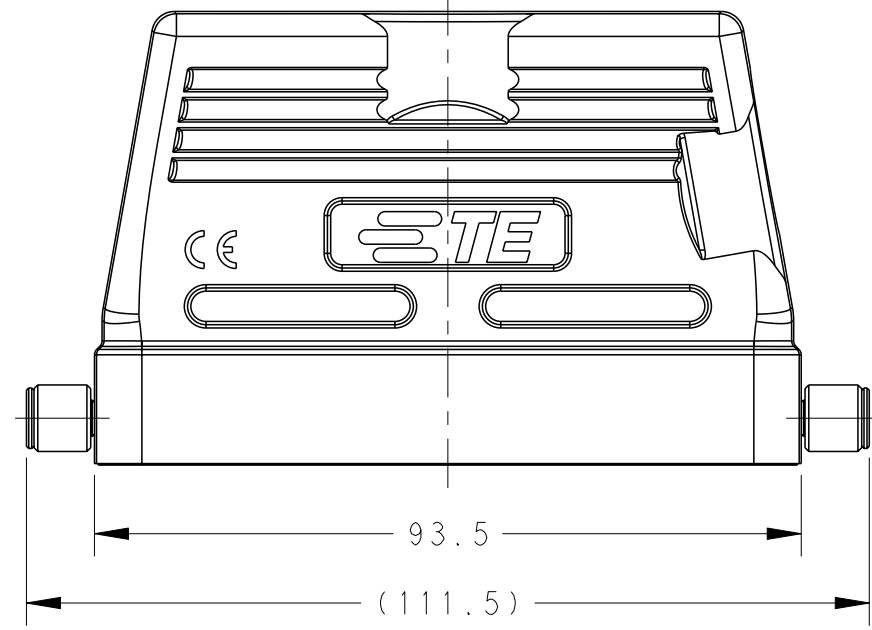


THIS DRAWING IS UNPUBLISHED. RELEASED FOR PUBLICATION 20
 © COPYRIGHT 20 BY - ALL RIGHTS RESERVED.

REVISIONS				
P	LTR	DESCRIPTION	DATE	APVD
A		INITIAL	25MAY2015	DW CW
A1		ECR-18-017123	05DEC2018	KW CW
B		ECR-20-008190	20AUG2020	WQR CW
B1		ECR-21-105138	29JUN2021	WQR CW

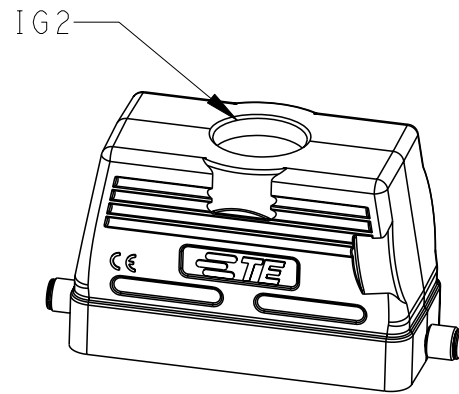
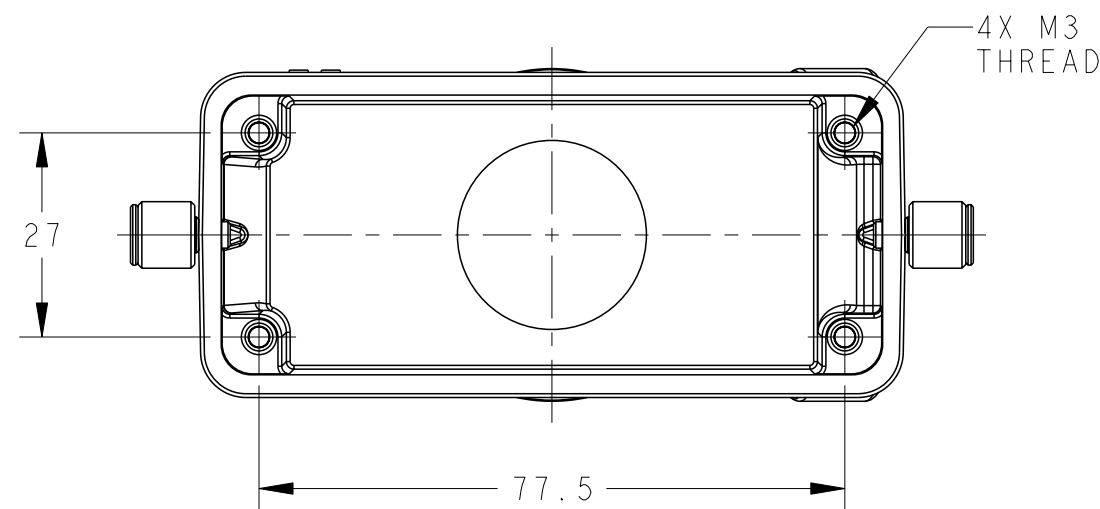
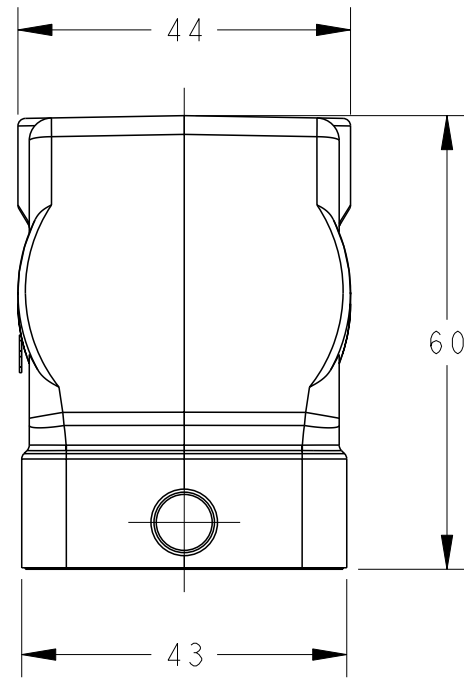
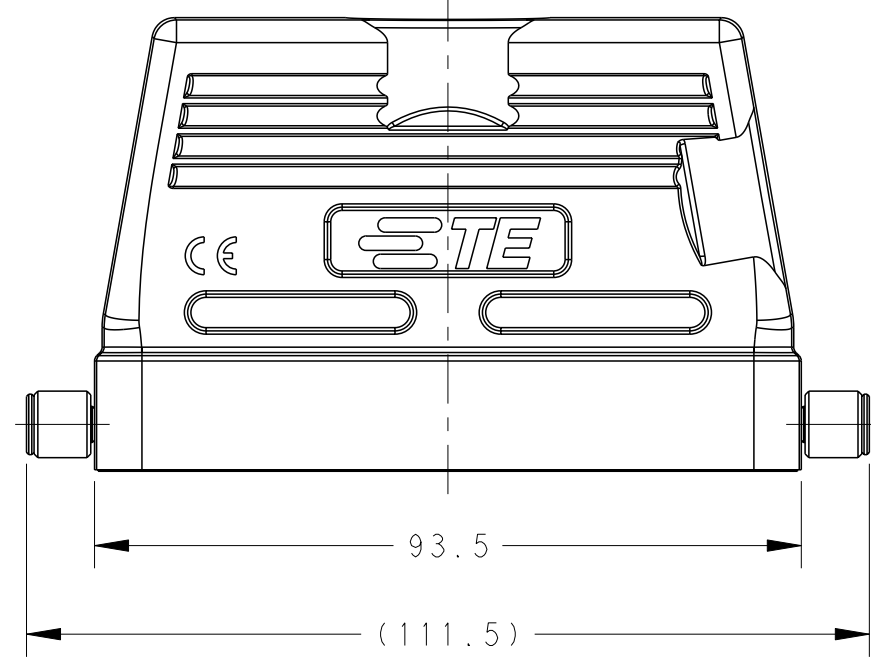


SCALE 1:2

TYPE 1: LOW CONSTRUCTION, SIDE ENTRY

NOTES:
 1. TECHNICAL CHARACTERISTICS:
 HOOD MATERIAL: DIE CAST ALUMINIUM ALLOY
 SURFACE: POWDER COATED, GREY
 DEGREE OF PROTECTION: IP65 (MATED)

注释:
 1. 技术参数:
 上壳材料: 铝合金
 表面处理: 粉末涂层, 灰色
 防护等级: IP65(配合)



SCALE 1:2

TYPE 2: LOW CONSTRUCTION, TOP ENTRY

PART NUMBER	料号	DESCRIPTION	描述	IG1	IG2	TYPE	类型
T1310160120-000	H16B-TS-RO-M20	H16B HOOD, SIDE ENTRY M20, 2 EAR, POWDER COATED, GREY H16B上壳, 侧出M20, 2耳, 灰色粉末喷涂	M20	-		TYPE 1	
T1310160121-000	H16B-TS-RO-PG21	H16B HOOD, SIDE ENTRY PG21, 2 EAR, POWDER COATED, GREY H16B上壳, 侧出PG21, 2耳, 灰色粉末喷涂	PG21	-			
T1310160125-000	H16B-TS-RO-M25	H16B HOOD, SIDE ENTRY M25, 2 EAR, POWDER COATED, GREY H16B上壳, 侧出M25, 2耳, 灰色粉末喷涂	M25	-			
T1310160132-000	H16B-TS-RO-M32	H16B HOOD, SIDE ENTRY M32, 2 EAR, POWDER COATED, GREY H16B上壳, 侧出M32, 2耳, 灰色粉末喷涂	M32	-			
T1320160113-000	H16B-TG-RO-PG13	H16B HOOD, TOP ENTRY PG13.5, 2 EAR, POWDER COATED, GREY H16B上壳, 顶出PG13.5, 2耳, 灰色粉末喷涂	-	PG13.5		TYPE 2	
T1320160121-000	H16B-TG-RO-PG21	H16B HOOD, TOP ENTRY PG21, 2 EAR, POWDER COATED, GREY H16B上壳, 顶出PG21, 2耳, 灰色粉末喷涂	-	PG21			
T1320160125-000	H16B-TG-RO-M25	H16B HOOD, TOP ENTRY M25, 2 EAR, POWDER COATED, GREY H16B上壳, 顶出M25, 2耳, 灰色粉末喷涂	-	M25			
T1320160132-000	H16B-TG-RO-M32	H16B HOOD, TOP ENTRY M32, 2 EAR, POWDER COATED, GREY H16B上壳, 顶出M32, 2耳, 灰色粉末喷涂	-	M32			

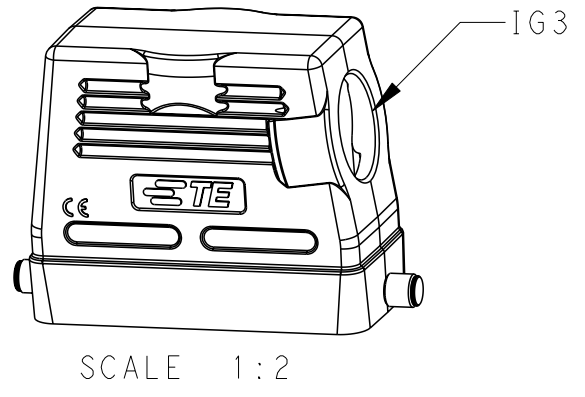
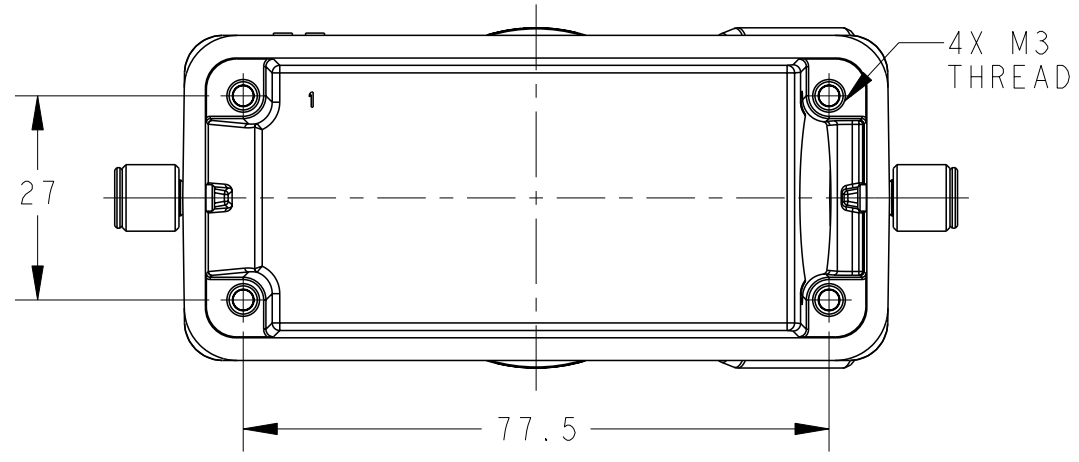
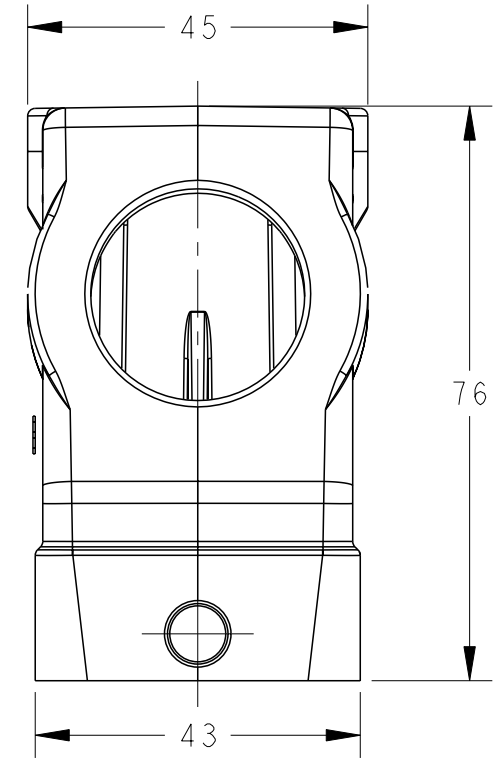
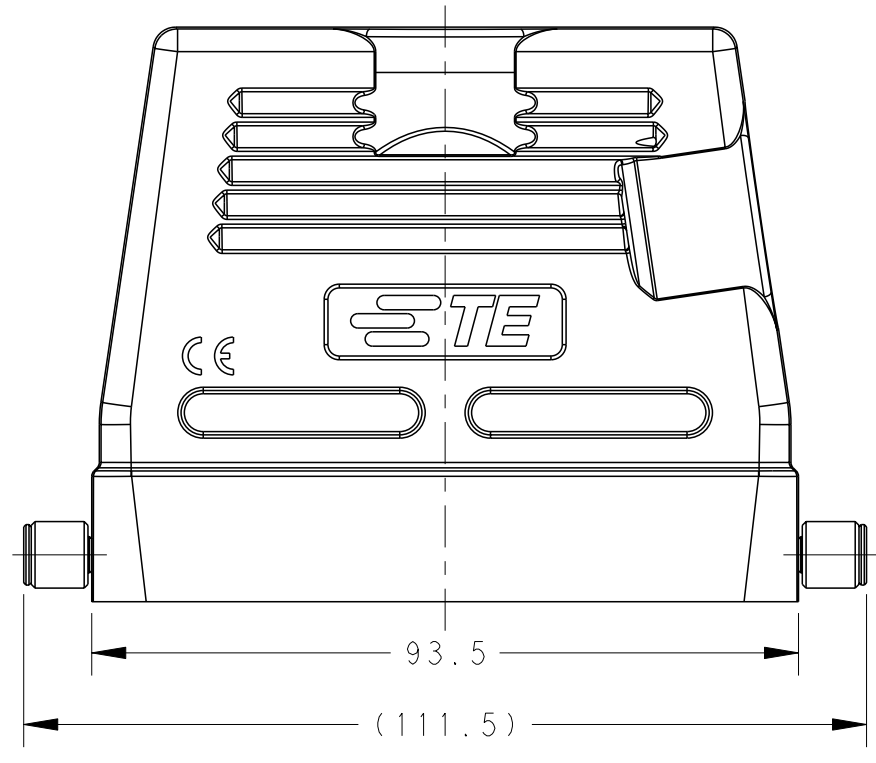
THIS DRAWING IS A CONTROLLED DOCUMENT.

DWN David Wang 25MAY2015	TE Connectivity	NAME H16B-TS/TG/TSH/TGH-RO-M/PG SIZE A2 CAGE CODE 00779 DRAWING NO. T13X01601XX000 RESTRICTED TO -
CHK Chris Wang 25MAY2015		
APVD Xiang Xu 25MAY2015		
PRODUCT SPEC 108-137013		
MATERIAL -	APPLICATION SPEC 114-137013	WEIGHT -
Customer Drawing		SCALE 1:1 SHEET 1 OF 2 REV B1

Printed on 2 Jul 2021 11:15 (China Standard Time) from TE343646

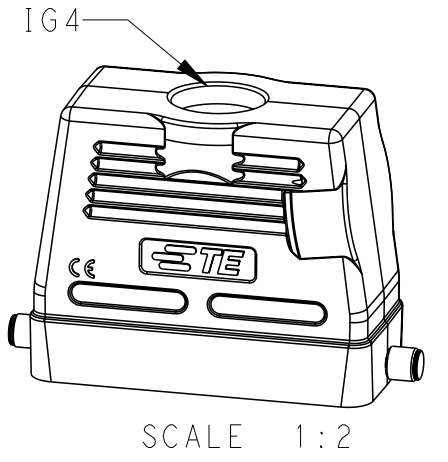
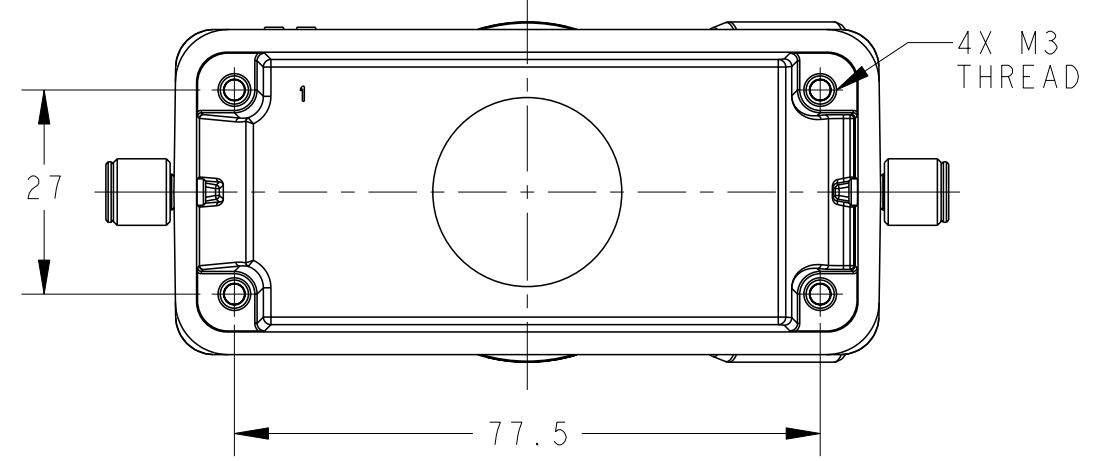
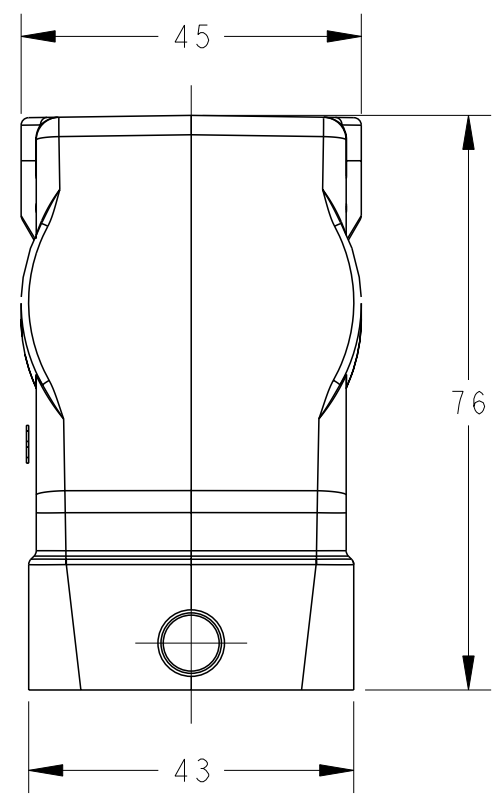
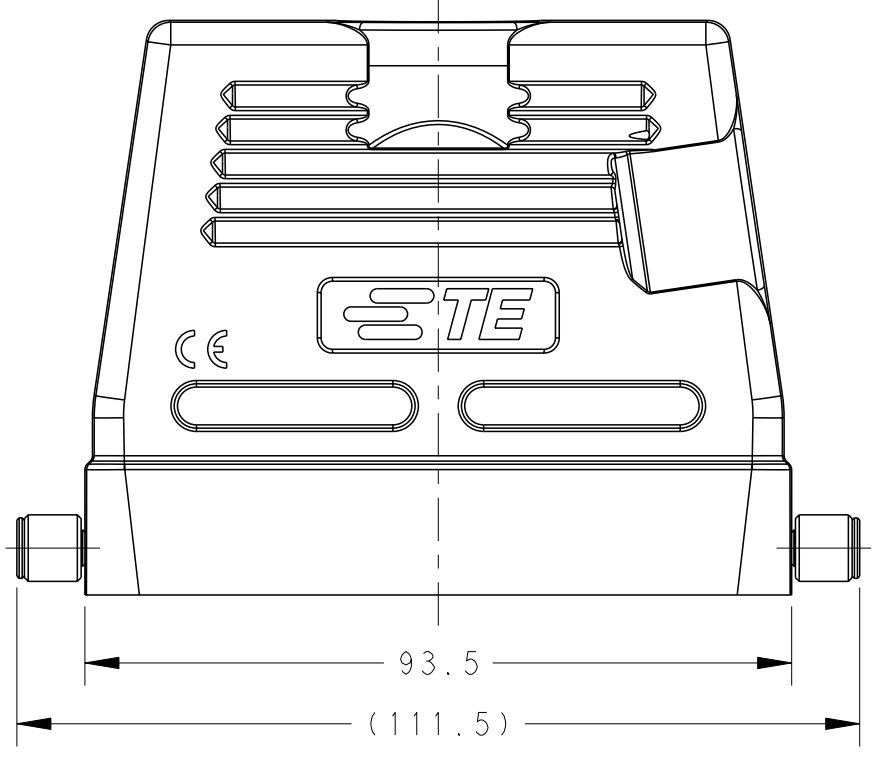
THIS DRAWING IS UNPUBLISHED. RELEASED FOR PUBLICATION 20
 © COPYRIGHT 20 BY - ALL RIGHTS RESERVED.

REVISIONS				
P	LTR	DESCRIPTION	DATE	APVD
-		SEE SHEET 1	-	-



TYPE 3: HIGH CONSTRUCTION, SIDE ENTRY

NOTES:
SEE SHEET 1



TYPE 4: HIGH CONSTRUCTION, TOP ENTRY

PART NUMBER	DESCRIPTION	IG3	IG4	TYPE
料号	描述			类型
T1330160121-000	H16B-TSH-RO-PG21 H16B HOOD, SIDE ENTRY PG21, 2 EAR, HIGH CONSTRUCTION, POWDER COATED, GREY H16B上壳, 侧出PG21, 2耳, 高结构, 灰色粉末喷涂	PG21	-	TYPE 3
T1330160125-000	H16B-TSH-RO-M25 H16B HOOD, SIDE ENTRY M25, 2 EAR, HIGH CONSTRUCTION, POWDER COATED, GREY H16B上壳, 侧出M25, 2耳, 高结构, 灰色粉末喷涂	M25	-	
T1330160129-000	H16B-TSH-RO-PG29 H16B HOOD, SIDE ENTRY PG29, 2 EAR, HIGH CONSTRUCTION, POWDER COATED, GREY H16B上壳, 侧出PG29, 2耳, 高结构, 灰色粉末喷涂	PG29	-	
T1330160132-000	H16B-TSH-RO-M32 H16B HOOD, SIDE ENTRY M32, 2 EAR, HIGH CONSTRUCTION, POWDER COATED, GREY H16B上壳, 侧出M32, 2耳, 高结构, 灰色粉末喷涂	M32	-	TYPE 4
T1330160140-000	H16B-TSH-RO-M40 H16B HOOD, SIDE ENTRY PG21, 2 EAR, HIGH CONSTRUCTION, POWDER COATED, GREY H16B上壳, 侧出PG21, 2耳, 高结构, 灰色粉末喷涂	M40	-	
T1340160121-000	H16B-TGH-RO-PG21 H16B HOOD, TOP ENTRY PG21, 2 EAR, HIGH CONSTRUCTION, POWDER COATED, GREY H16B上壳, 顶出PG21, 2耳, 高结构, 灰色粉末喷涂	-	PG21	
T1340160125-000	H16B-TGH-RO-M25 H16B HOOD, TOP ENTRY M25, 2 EAR, HIGH CONSTRUCTION, POWDER COATED, GREY H16B上壳, 顶出M25, 2耳, 高结构, 灰色粉末喷涂	-	M25	
T1340160129-000	H16B-TGH-RO-PG29 H16B HOOD, TOP ENTRY PG29, 2 EAR, HIGH CONSTRUCTION, POWDER COATED, GREY H16B上壳, 顶出PG29, 2耳, 高结构, 灰色粉末喷涂	-	PG29	TYPE 4
T1340160132-000	H16B-TGH-RO-M32 H16B HOOD, TOP ENTRY M32, 2 EAR, HIGH CONSTRUCTION, POWDER COATED, GREY H16B上壳, 顶出M32, 2耳, 高结构, 灰色粉末喷涂	-	M32	
T1340160140-000	H16B-TGH-RO-M40 H16B HOOD, TOP ENTRY M40, 2 EAR, HIGH CONSTRUCTION, POWDER COATED, GREY H16B上壳, 顶出M40, 2耳, 高结构, 灰色粉末喷涂	-	M40	
T1340167134-000	H16B-TGH-RO-NPT3/4 H16B HOOD, TOP ENTRY NPT3/4, 2 EAR, HIGH CONSTRUCTION, POWDER COATED, GREY H16B上壳, 顶出NPT3/4, 2耳, 高结构, 灰色粉末喷涂	-	NPT3/4	

THIS DRAWING IS A CONTROLLED DOCUMENT.		DWN David Wang 25MAY2015	TE Connectivity	
DIMENSIONS: mm		CHK Chris Wang 25MAY2015		
TOLERANCES UNLESS OTHERWISE SPECIFIED:		APVD Xiang Xu 25MAY2015	NAME H16B-TS/TG/TSH/TGH-RO-M/PG	
0 PLC ±-		PRODUCT SPEC 108-137013	SIZE CAGE CODE DRAWING NO RESTRICTED TO	
1 PLC ±-		APPLICATION SPEC 114-137013	A200779 C-T13X01601XX000	
2 PLC ±-		WEIGHT -	SCALE 1:1 SHEET 2 OF 2 REV B1	
3 PLC ±-		Customer Drawing		
4 PLC ±-				
ANGLES ±-				
FINISH -				

Printed on 2 Jul 2021 11:15 (China Standard Time) from TE343646

单击下面可查看定价，库存，交付和生命周期等信息

[>>TE Connectivity\(泰科\)](#)