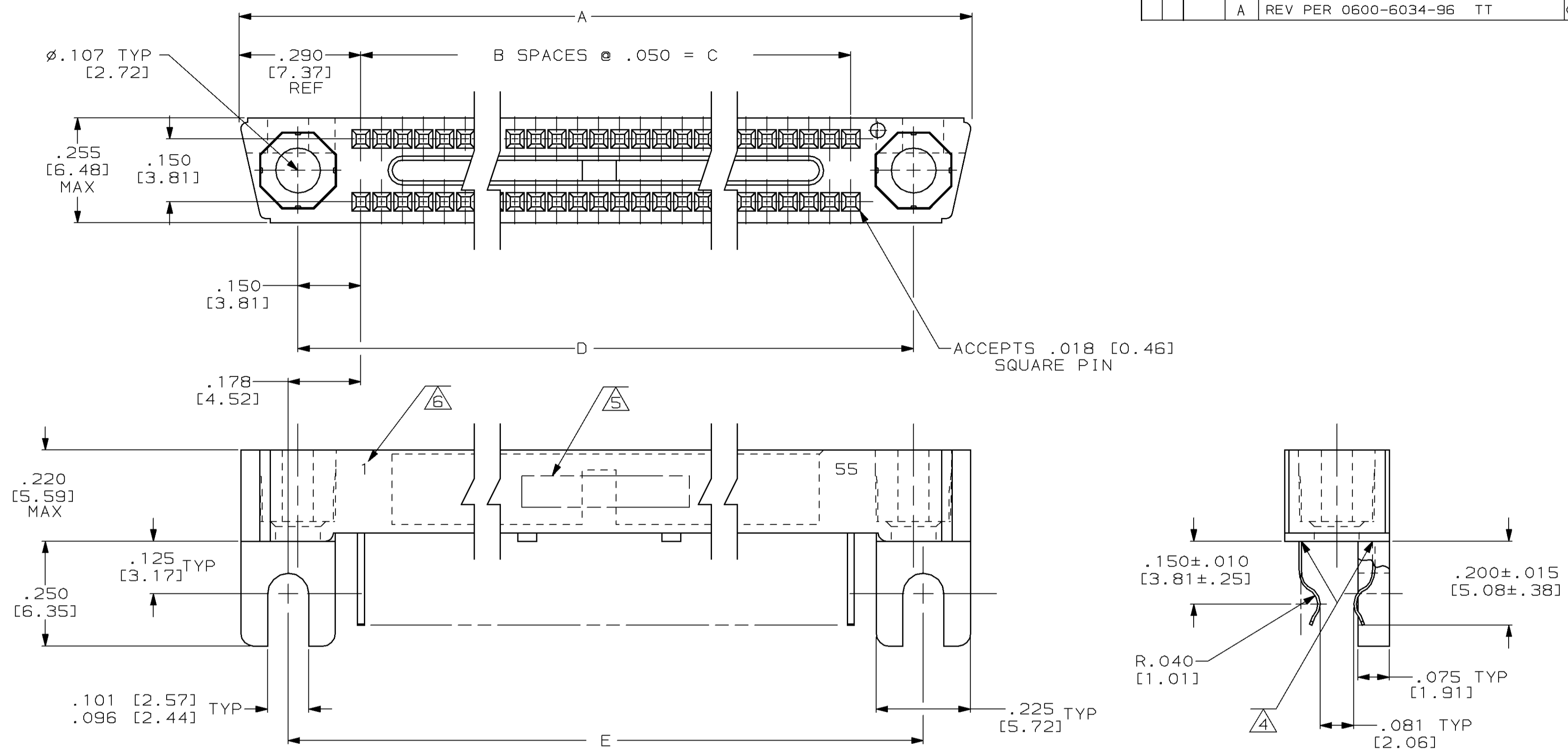


THIS DRAWING IS UNPUBLISHED. RELEASED FOR PUBLICATION, 1988.  
 © COPYRIGHT 1988 BY AMP INCORPORATED. ALL INTERNATIONAL RIGHTS RESERVED.

5327	Loc	DIST	REVISIONS					
DF	FO	P	F	ZONE	LTR	DESCRIPTION	DATE	APPD
				0		RELEASED PER 0600-5607-96 CT	6-96	DG
				A		REV PER 0600-6034-96 TT	01-97	DG



- ① HOUSING MATERIAL: LIQUID CRYSTAL POLYMER PER MIL-M-24519, GLCP-30F; COLOR: GRAY.
- ② CONTACT MATERIAL: BERYLLIUM COPPER.
- ③ CONTACT FINISH: .000050 GOLD IN CONTACT AREA, GOLD FLASH OVER REMAINDER OF CONTACT. BOTH OVER NICKEL.
- ④ THIN BEAD OF EPOXY ADDED FOR CONTACT RETENTION.
- ⑤ AMP, PART NO. & DATE CODE MARKED THIS APPROXIMATE AREA.
- ⑥ NUMBERS OF END POSITIONS MARKED ONE SIDE ONLY (SEE TABLE).
- ⑦ MUST MEET ALL APPLICABLE REQUIREMENTS OF MIL-C-55302.

1 - 55	3.055 [77.60]	3.000 [76.20]	2.700 [68.58]	54	3.290 [83.57]	110	443851-1
CONTACT IDENT NUMBERS	E	D	C	B	A	NUMBER OF CONTACTS	PART NUMBER
DO NOT SCALE PRINT. UNLESS SPECIFIED DIMENSIONS IN INCHES [mm] TOLERANCES ON:			DR 6-11-96 C.C. THOMAS		AMP INCORPORATED Harrisburg, Pa. 17105		
2 PLC DEC ± _____			CHK 6-11-96 D. GUTTER				
3 PLC DEC ± .005 [0.13]			APPD 6-11-96 D. GUTTER		NAME RECEPTACLE ASSEMBLY, MINI BOX LOW FORCE CONTACTS CARD EXTENDER, W/MOUNTING EARS SPECIAL FOR .093 [2.36] BOARD		
ANGLES ± _____			RLSE 6-11-96 C.C. THOMAS				
MATERIAL			PRODUCT SPEC		SIZE		
① ②			APPLICATION SPEC		FSCM NO		DRAWING NO
			FINISH		-		C
-			WEIGHT		SCALE		SHEET
-			-		5:1		1 OF 1

单击下面可查看定价，库存，交付和生命周期等信息

[>>TE Connectivity\(泰科\)](#)