

THIS DRAWING IS UNPUBLISHED.

RELEASED FOR PUBLICATION

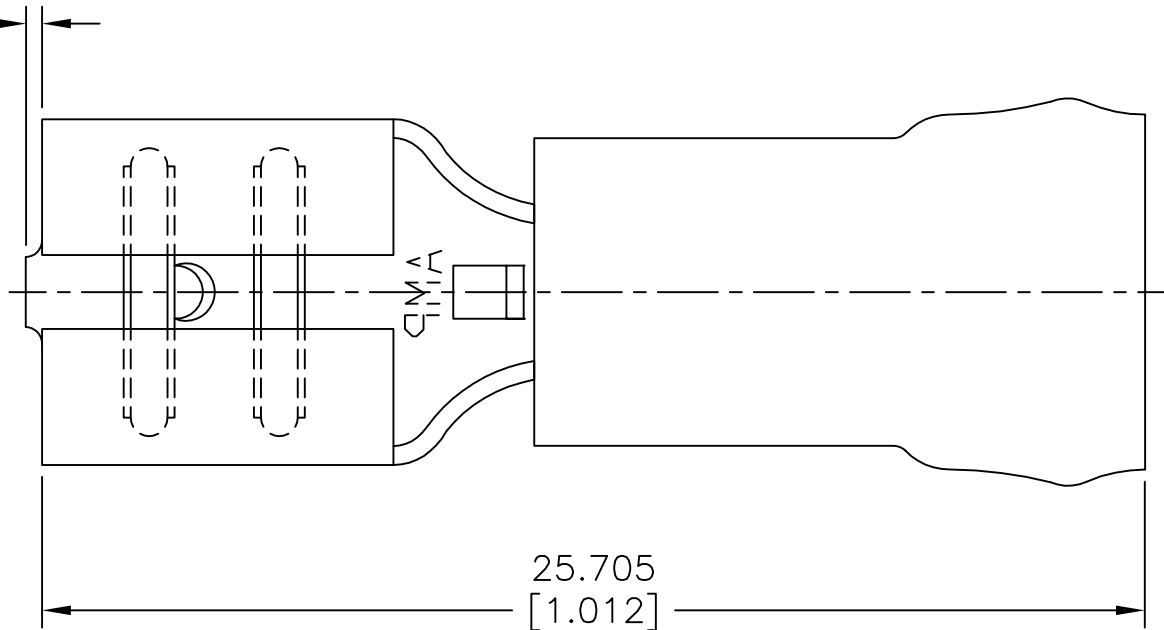
ALL RIGHTS RESERVED.

© COPYRIGHT - TE Connectivity

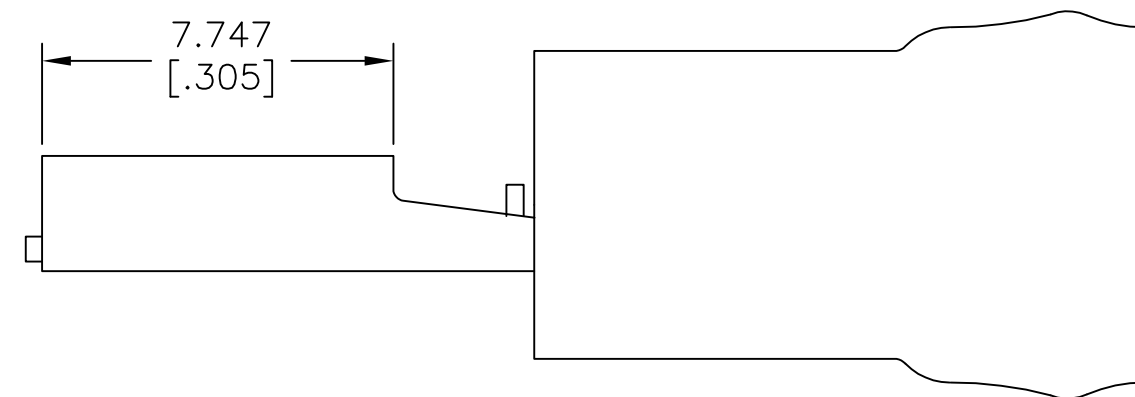
REVISIONS

P	LTR	DESCRIPTION	DATE	DWN	APVD
	M	REV PER OG3A-0176-02	08APR02	JR	TM
	M1	REVISED PER ECO-17-002887	01SEP2017	RS	DR

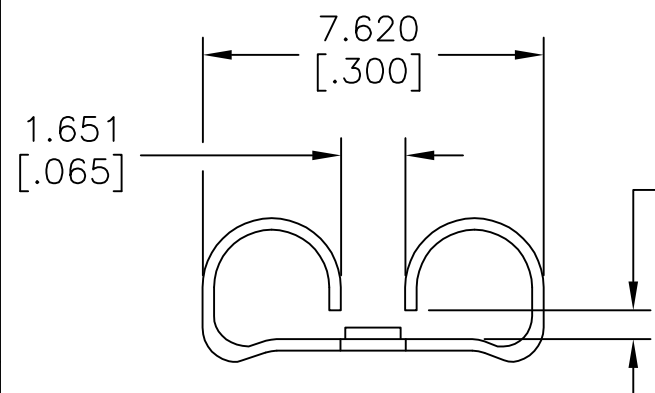
0.508
[.020]
MAX



7.747
[.305]



1.651
[.065]



FITS "250" SERIES FASTON TAB

- 1 THIS TERMINAL TO BE SUPPLIED IN INDIVIDUAL FORM, NOT AS CONTINUOUS STRIP.
- 2 INSULATION RANGE 6.350[.250] MAX.
- 3 TAB THK 0.813[.032].

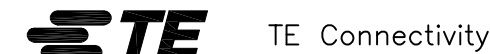
-	LOOSE PIECE	61198-2
QTY	PACKAGE TYPE	PART NO

AMP INCORPORATED
CUSTOMER SERVICE SYSTEM

MAX RECOMMENDED OPERATING TEMPERATURE:

THIS DRAWING IS A CONTROLLED DOCUMENT.

DWN L OLMEDA 15NOV95



FOR ADDITIONAL PRODUCT INFORMATION OR COPIES OF DRAWINGS AND TECHNICAL DOCUMENTS

PRODUCT INFORMATION CENTER
1-800-522-6752

VOLTAGE RATING:

DIMENSIONS:
mm [INCHES]

TOLERANCES UNLESS OTHERWISE SPECIFIED:

CHK M ELLIS 15NOV95

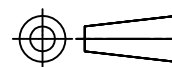
APVD B BARE 15NOV95

NAME
RECEPTACLE, 250 SERIES,
FASTON™, PIDG™,
WIRE SIZE, 12-10 AWG

FOR APPLICATION TOOLING INFORMATION

TOOLING ASSISTANCE CENTER
1-800-722-1111

CIRCULAR MIL AREA:



0 PLC	± -
1 PLC	± -
2 PLC	± 0.38[.015]
3 PLC	± 0.127[.005]
4 PLC ANGLES	± -

PRODUCT SPEC

APPLICATION SPEC

114-1002

SIZE CAGE CODE DRAWING NO RESTRICTED TO

FOR ORDER ENTRY

1-800-526-5142

MATERIAL
BODY, PH BRZ .018
SLV, NYLON,
COLOR, YELLOW

FINISH
BODY, TIN

WEIGHT -

A3 00779 C-61198

CUSTOMER DRAWING

SCALE 6:1 SHEET 1 OF 1 REV M1

单击下面可查看定价，库存，交付和生命周期等信息

[>>TE Connectivity\(泰科\)](#)