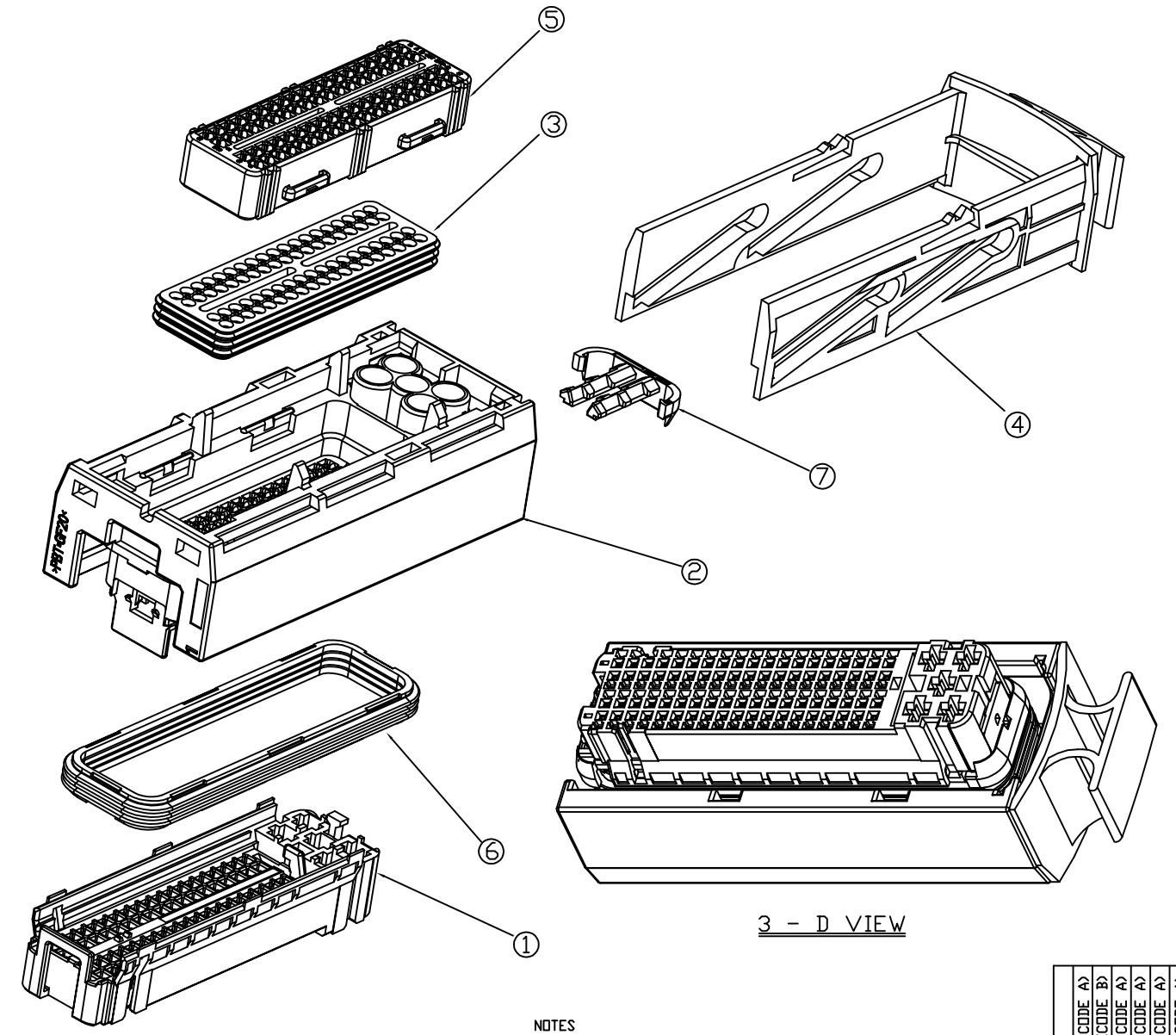
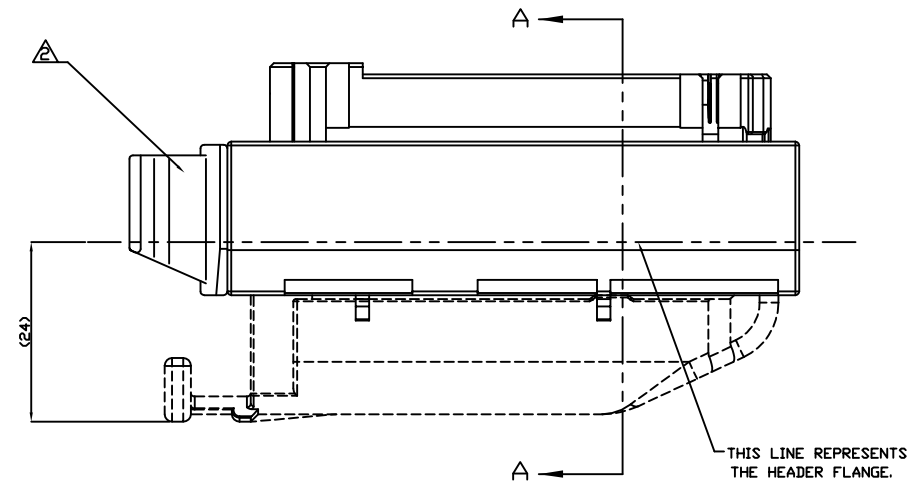
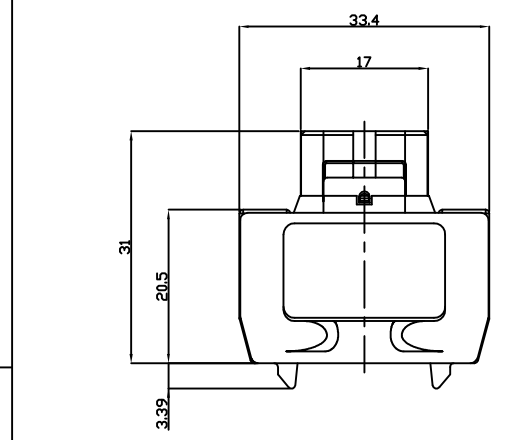
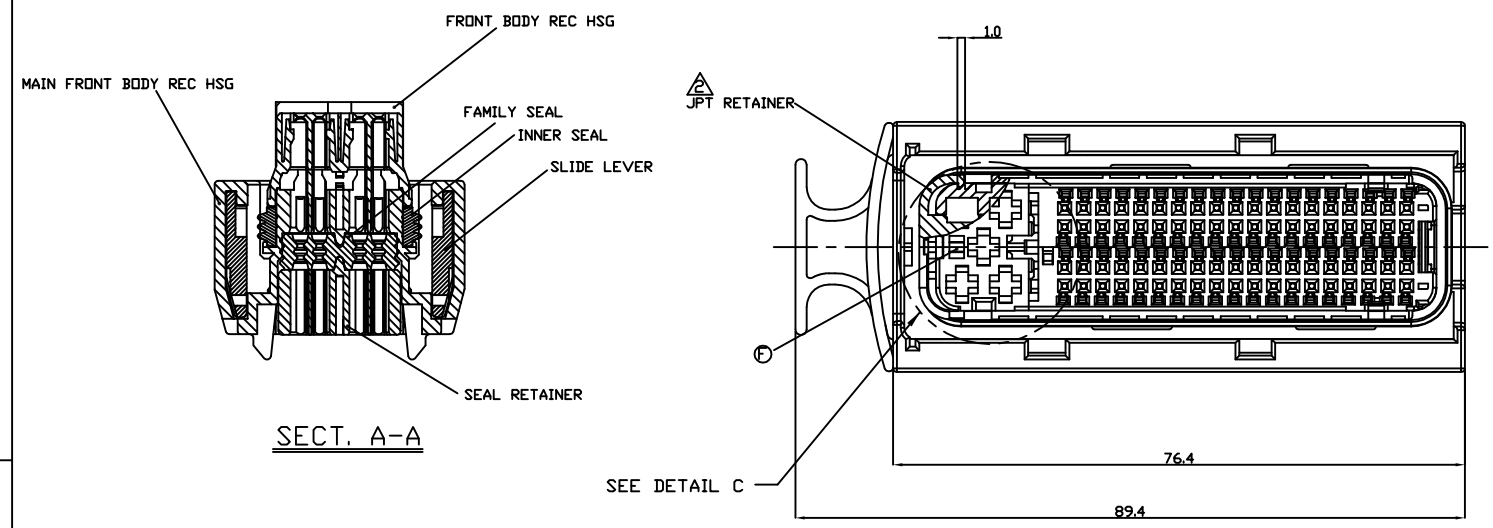
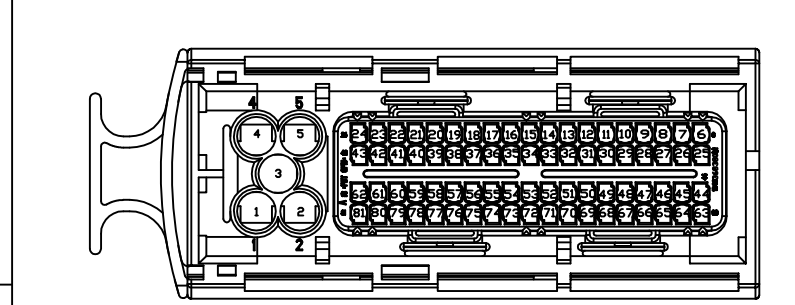


THIS DRAWING IS UNPUBLISHED  
 RELEASED FOR PUBLICATION  
 ALL RIGHTS RESERVED  
 COPYRIGHT

REVISIONS					
P	LTR	DESCRIPTION	DATE	DWN	APVD
F		REVISED(KFC00-0008-03)	JAN,23,'03	HS	CS
G		REVISED(KECR-07-008979)	APR,18,'07	YH	JK
G1		REVISED(KECR-17-012909)	SEP,04,'17	YH	YJ

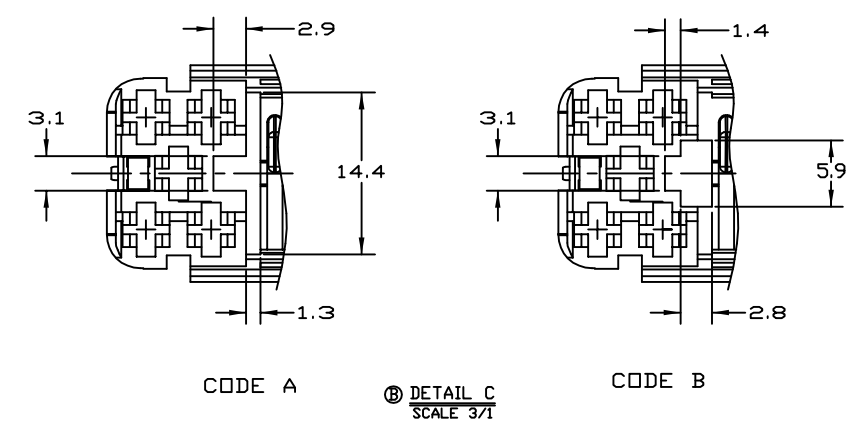


3 - D VIEW



CIRCUIT NUMBER LAYOUT  
 SCALE(2/1)

PART NUMBER	BLANKED CAVITIES	Notes
368376-4	6,8,10,21,25~28,33,34,41,42, 46~49,53,61,65~68,70,72,74,80,81.	ⒶⒷⒸⒹ
368376-3	14~16,20,30,32~35,37,39, 45~47,53~59,72~75,77.	ⒶⒸ
368376-2	7,9,10,14~16,20,27,30,32~35,37, 39,45~47,52~59,67,68,72~75,77.	Ⓐ
368376-1	-	



- NOTES
- GENERAL TOLERANCE IS ±0.5
  - CONDITION OF DELIVERY : SLIDE LEVER IN CLOSED POSITION, JPT RETAINER IN OPEN POSITION.
  - SUITABLE FOR WIRE SIZE RANGE:
 

CONTACT	MQS	JPT
CIRCUIT NO.	6 - 81	1 - 5
WIRE SIZE(mm <sup>2</sup> )	0.5 - 0.75	0.5 - 2.5
  - APPLIED COVER HSG P/N: 368389.
  - APPLIED RECEPTACLE CONTACT P/N:
 

CONTACT	MQS	JPT		
Part NO.	968220	968221	964286	964273
WIRE SIZE(mm <sup>2</sup> )	0.5	0.75	0.5 - 1.0	1.0 - 2.5
  - APPLIED HEADER ASSEMBLY P/N: 368146.
  - APPLIED MQS RETAINER HSG P/N: 368382.

NO.	Part NO.	DESCRIPTION	MATERIAL	COLOR	Q'TY
7	368381-1	JPT RETAINER	PBT-GF30	YELLOW	1 1 1 1 1 1
6	368905-1	INNER SEAL FOR 81P	SILICONE	ORANGE	1 1 1 1 1 1
5	368380-4	SEAL RETAINER FOR 81P	PBT-GF15	BLUE	1
	368380-3			WHITE	1
	368380-2			GRAY	1
	368380-1			BLACK	1
4	368379-1	SLIDE LEVER FOR 81P	PA66-GF35	BLACK	1 1 1 1 1 1
3	368904-1	76P FAMILY SEAL	SILICONE	ORANGE	1 1 1 1 1 1
2	368378-1	MAIN BODY REC. HSG FOR 81P	PBT-GF20	BLACK	1 1 1 1 1 1
1	368377-2	FRONT BODY REC. HSG FOR 81P(CODE B)	PA66-GF15	RED Ⓒ	1
1	368377-1	FRONT BODY REC. HSG FOR 81P(CODE A)	PA66-GF15	BLACK	1 1 1 1 1 1

THIS DRAWING IS A CONTROLLED DOCUMENT. DWN YH MA

GNK YD LEE

APVD YJ YOUN

NAME: **STE** TE Connectivity

PRODUCT SPEC: 108-61039

APPLICATION SPEC: 114-18050, 114-18021-1

SIZE: A1

CAGE CODE: 00779

DRAWING NO: 368376

RESTRICTED TO

CUSTOMER DRAWING

SCALE: 2:1

SHEET: 1 OF 1

REV: G1

单击下面可查看定价，库存，交付和生命周期等信息

[>>TE Connectivity\(泰科\)](#)