

4

3

2

1

THIS DRAWING IS UNPUBLISHED. RELEASED FOR PUBLICATION
 © COPYRIGHT - By - ALL RIGHTS RESERVED.

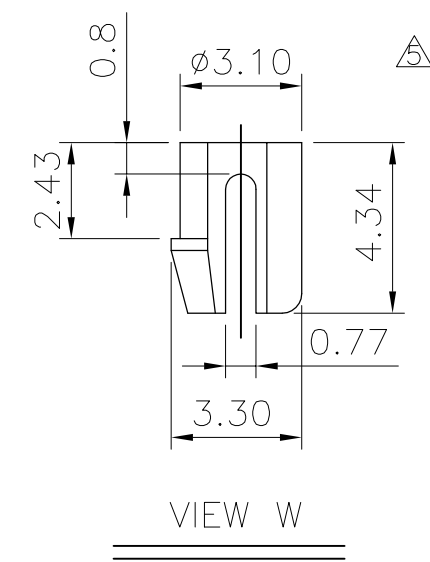
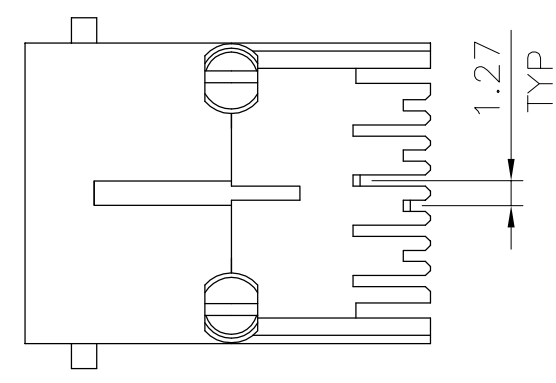
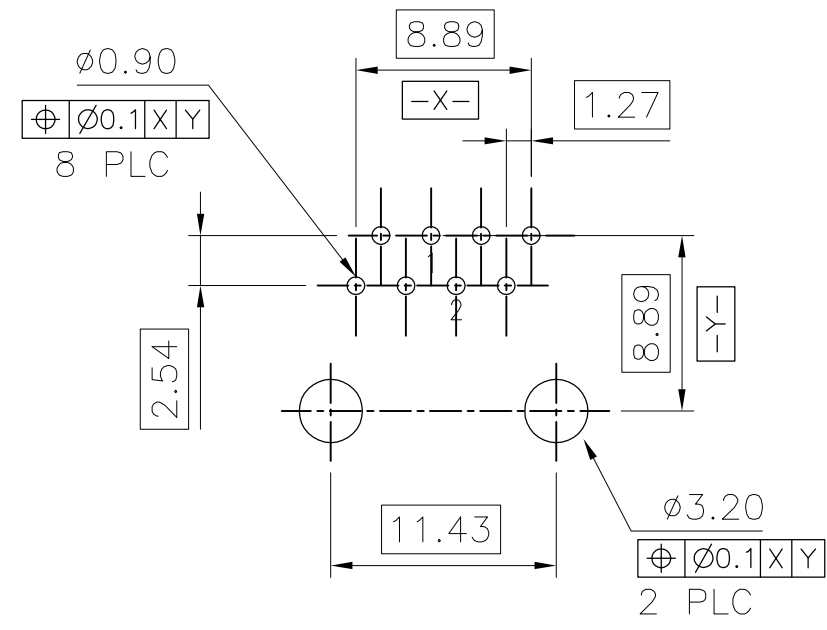
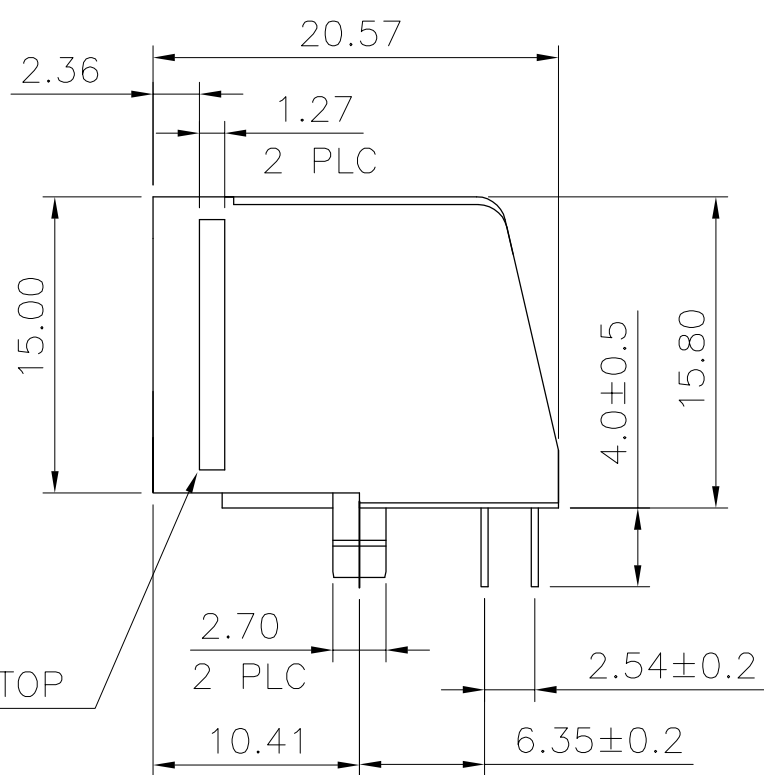
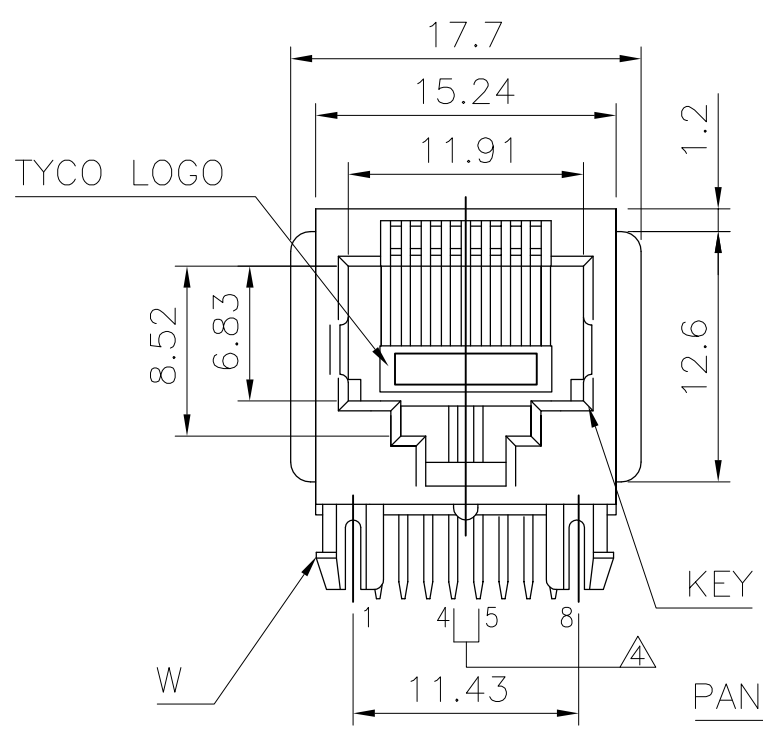
LOC	DIST	REVISIONS					
		P	LTR	DESCRIPTION	DATE	DWN	APVD
-	-	A		ECO-14-012616	30DEC2014	LL	SH

NOTE:

- MATERIAL:
HOUSING: THERMOPLASTIC, UL94V-0, COLOR: GRAY(PANTONE 400C).
CONTACT: PHOSPHOR BRONZE, THICKNESS: 0.35mm.
- FINISH:
CONTACT: GOLD PLATED (SEE TABLE) IN CONTACTS AREA.

GOLD FLASH ON SOLDER TAILS.
50u" MIN. NICKEL UNDERPLATED ALL OVER.
- REFLOW SOLDER CAPABLE TO 260° PER TYCO SPEC 109-201, CONDITION B.

⚠ KEEP PIN 4 AND PIN 5 FOR P/N 1-1734216-X.
 ⚠ OBSOLETE PARTS: OBSOLETE CIS STREAMLING PER D.DRENAUD/D.SINISI.



PLC	CONTACT	FINISH	KEY	PANEL STOP	GOLD PLATED	PART NUMBER
OBSOLETE	8P2C	W/O	W/	W/	⚠	50u" 4-1734216-4
						30u" 4-1734216-3
						15u" 4-1734216-2
						6u" 4-1734216-1
OBSOLETE	8P8C	W/	W/O	W/O	⚠	50u" 3-1734216-4
						30u" 3-1734216-3
						15u" 3-1734216-2
						6u" 3-1734216-1
OBSOLETE	8P8C	W/O	W/	W/	⚠	50u" 2-1734216-4
						30u" 2-1734216-3
						15u" 2-1734216-2
						6u" 2-1734216-1
OBSOLETE	8P8C	W/O	W/	W/O	⚠	50u" 1-1734216-4
						30u" 1-1734216-3
						15u" 1-1734216-2
						6u" 1-1734216-1
OBSOLETE	8P8C	W/O	W/O	W/O	⚠	50u" 1734216-4
						30u" 1734216-3
						15u" 1734216-2
						6u" 1734216-1

RECOMMENDED PCB LAYOUT (THICKNESS: 1.6mm)
 DIMENSION TOLERANCE: 1 PLC: ±0.1 2PLC: ±0.05)

THIS DRAWING IS A CONTROLLED DOCUMENT.		DWN Q. HU 28-JUL-2005	STE TE Connectivity	
DIMENSIONS: mm		CHK S. HOU 28-JUL-2005		
TOLERANCES UNLESS OTHERWISE SPECIFIED:		APVD W.J. KE 28-JUL-2005	NAME	
0 PLC ± 0.50		PRODUCT SPEC	MODULAR JACK, SIDE ENTRY, DIP TYPE	
1 PLC ± 0.30		108-57527	SIZE CAGE CODE DRAWING NO RESTRICTED TO	
2 PLC ± 0.20		APPLICATION SPEC	A3 00779 C-1734216	
3 PLC ± 0.10		WEIGHT -	SCALE 1:1 SHEET 1 OF 2 REV A	
4 PLC ± -		CUSTOMER DRAWING		
ANGLES ± 3'				
MATERIAL SEE NOTE				
FINISH SEE NOTE				

4

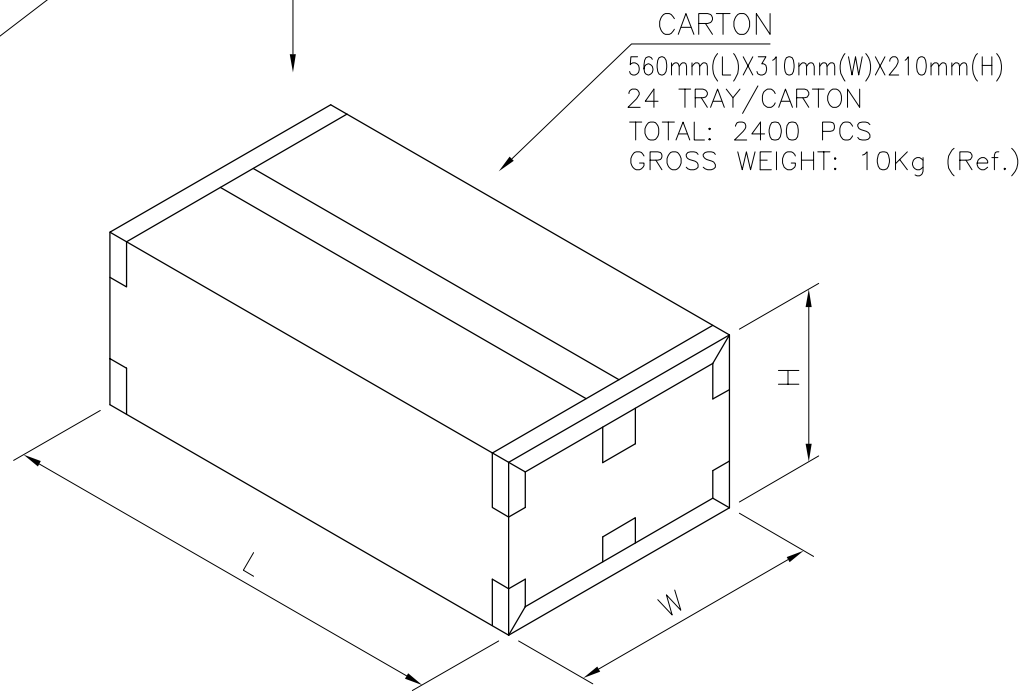
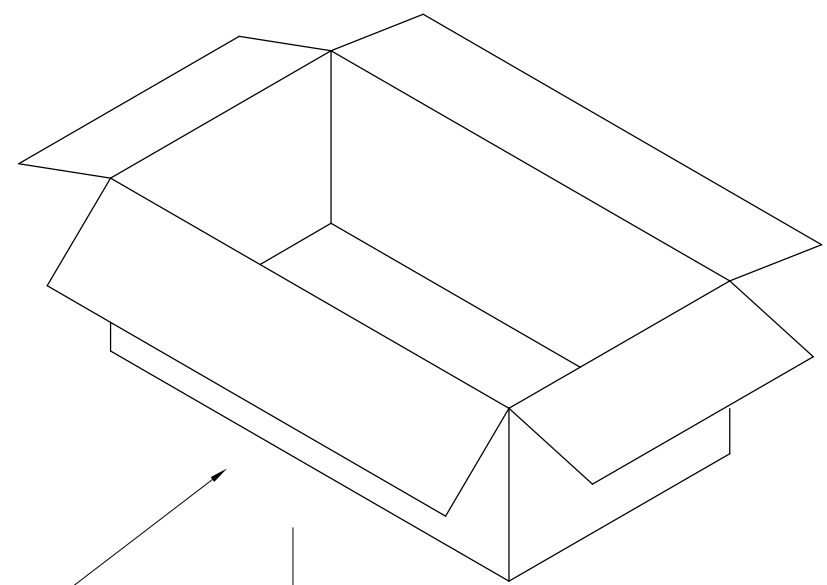
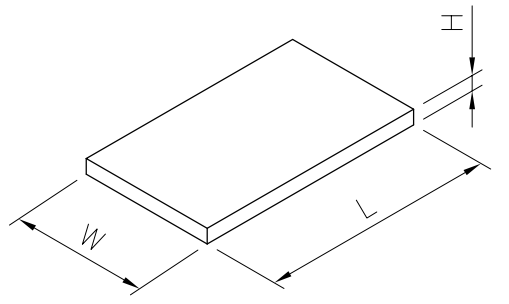
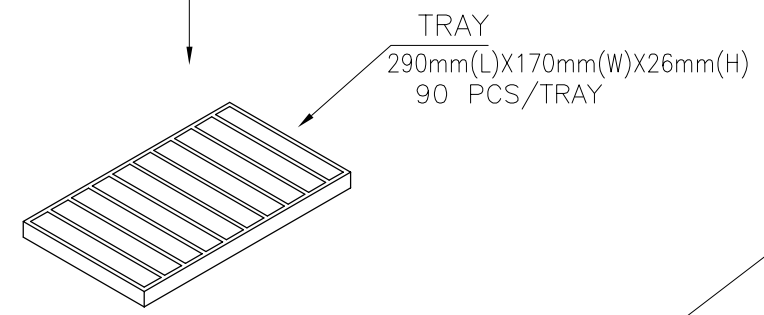
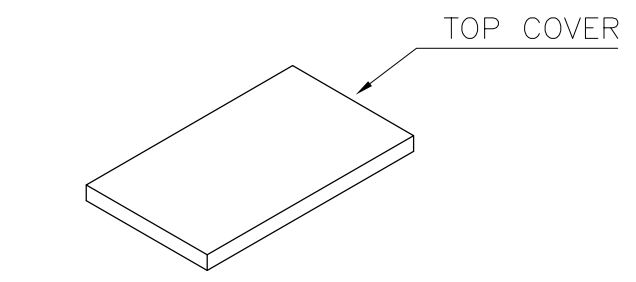
3

2

1

THIS DRAWING IS UNPUBLISHED. RELEASED FOR PUBLICATION -,- .
 © COPYRIGHT - By - ALL RIGHTS RESERVED.

LOC		DIST		REVISIONS				
P	LTR	DESCRIPTION			DATE	DWN	APVD	
-	-	-	-	-	-	-	-	



THIS DRAWING IS A CONTROLLED DOCUMENT.		DWN	Q. HU	28-JUL-2005	STE TE Connectivity		
DIMENSIONS: mm		CHK	S. HOU	28-JUL-2005			
TOLERANCES UNLESS OTHERWISE SPECIFIED:		APVD	W.J. KE	28-JUL-2005	NAME		
0 PLC ±		PRODUCT SPEC		MODULAR JACK, SIDE ENTRY, DIP TYPE			
1 PLC ±		108-57527		SIZE			
2 PLC ±		APPLICATION SPEC		CAGE CODE		DRAWING NO	
3 PLC ±		-		A3 00779		G-1734216	
4 PLC ±		WEIGHT		-		RESTRICTED TO	
ANGLES ±		CUSTOMER DRAWING		SCALE		SHEET	
FINISH		SEE NOTE		1:1		2 OF 2	
MATERIAL		SEE NOTE		REV		A	
SEE NOTE		-		-		-	

单击下面可查看定价，库存，交付和生命周期等信息

[>>TE Connectivity\(泰科\)](#)