

TYPICAL SPECIFICATION TABLE				
POSITION	CONTACT SIZE	RATING	NOM INSERTION FORCE	NOM EXTRACTION FORCE
39 - 40	#4	125A/250 VOLTS	3.8Lbs/1.72Kg	3.0Lbs/1.36Kg
7 - 38	#20	5A/250 VOLTS	.2Lbs/.09Kg	.1Lbs/.05Kg
1 - 6	#12	35A/250 VOLTS	2.9Lbs/1.32Kg	1.9Lbs/.86Kg

- 8. REFERENCE ELCON PART NUMBER 241-27-01100.
- 7. SEE DRAWING C-1648156 FOR MATING SOCKET CONNECTOR.
- 6. ITEMS PROVIDED TO THIS SPECIFICATION TO BE PERMANENTLY IDENTIFIED PER THE FOLLOWING IDENTIFIER:



5. ALL DIMENSIONS SHOWN ACROSS A CENTERLINE (⌀) SHALL BE CENTRALIZED WITHIN THE TOLERANCE INDICATED FOR THAT DIMENSION.

4. A REFERENCE DIMENSION (.XXX) IS WITHOUT TOLERANCE AND USED FOR INFORMATION PURPOSE ONLY.

- 3. RECOMMENDED MOUNTING HARDWARE: TO BE ORDERED SEPARATELY.
 - FOR PANEL MOUNTING, USE
 - 1650402-1: SHOULDER SCREW, #8-32
 - 1650106-1: SHOULDER SCREW, #6-32
 - 1650589-1: SHOULDER SCREW, M4X0.7
 - FOR PCB MOUNTING, USE COMMERCIALY AVAILABLE SCREW AND WASHER (IF REQUIRED).

- 2. MATERIALS:
 - HOUSING: THERMOPLASTIC, GLASS REINFORCED, COLOR-BLACK UL94V-0 FLAMMABILITY RATED.
 - RETENTION CLIP: COPPER ALLOY OR STAINLESS STEEL

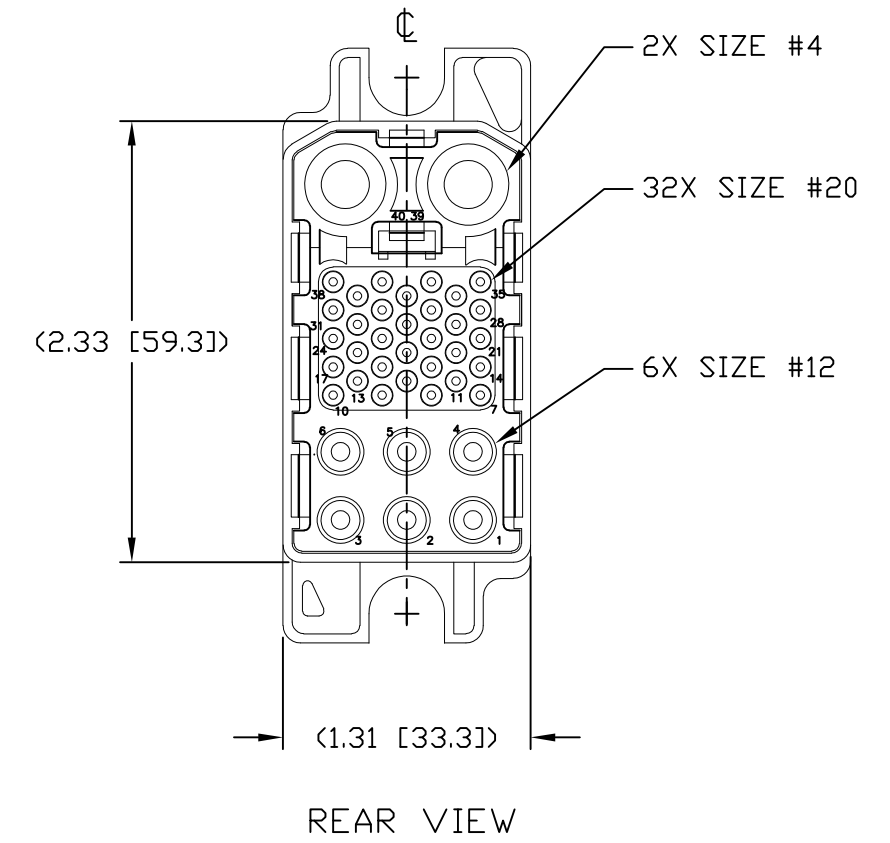
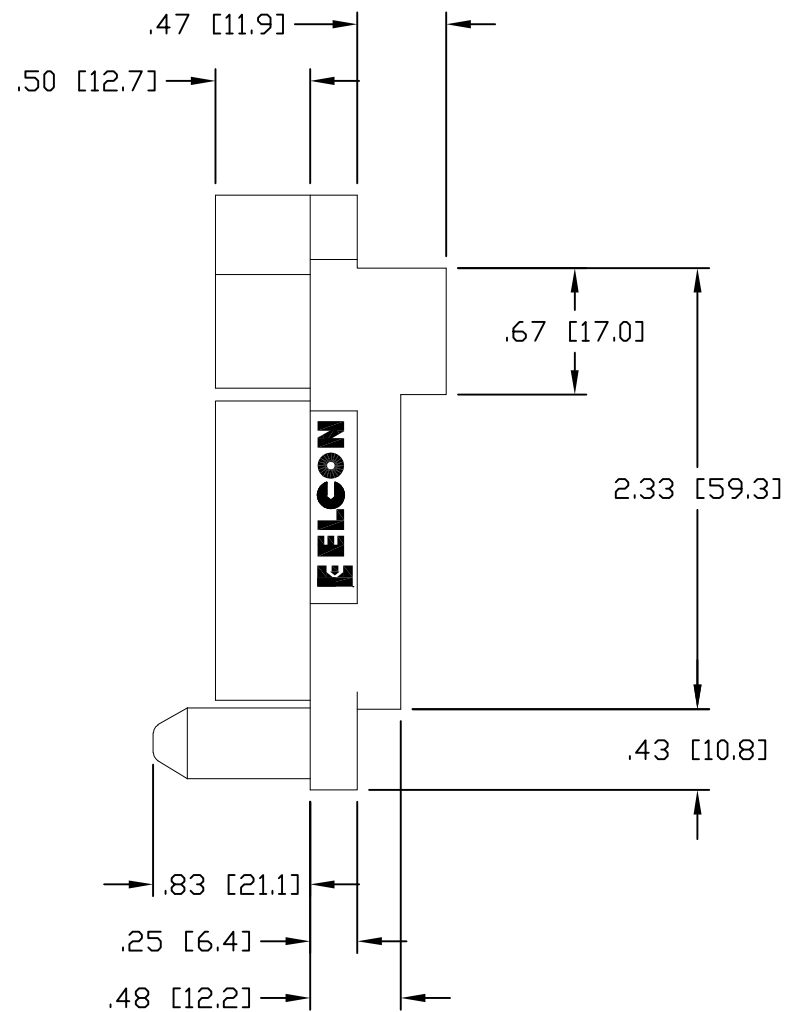
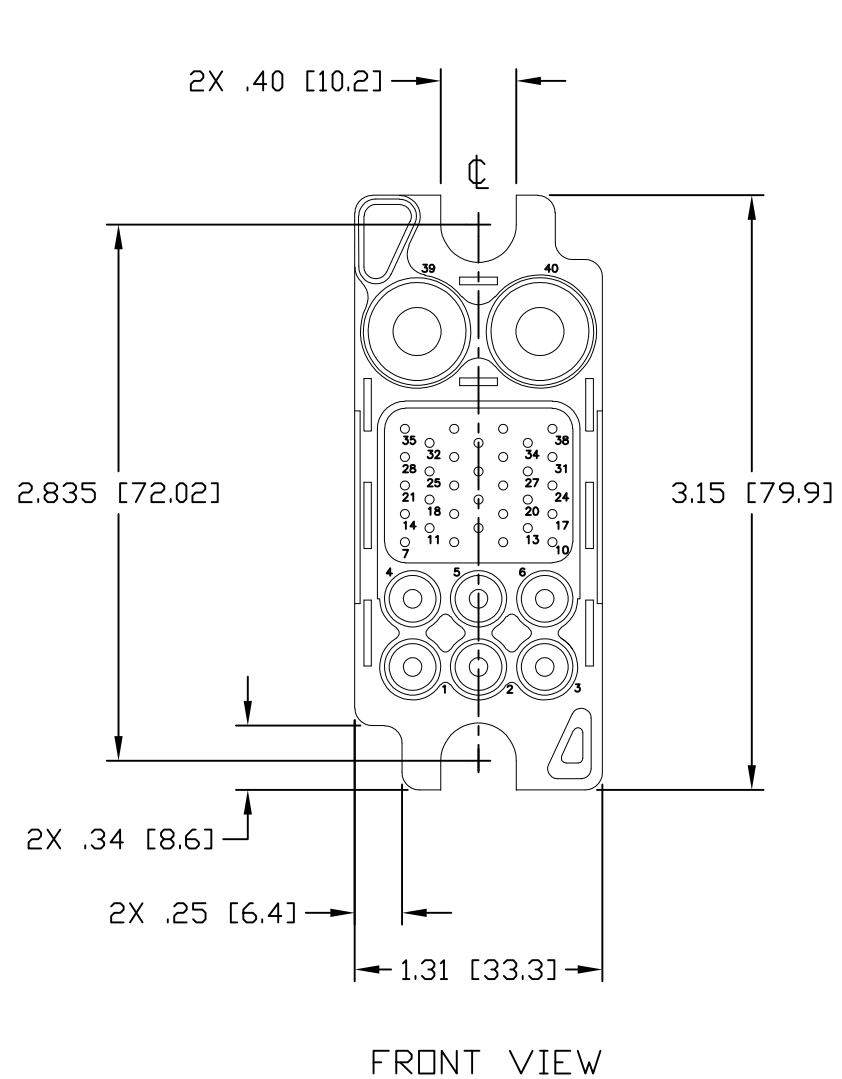
1. PART NUMBER CHANGES AND OR DESIGN CHANGES AFFECTING ITEM INTERCHANGEABILITY REQUIRE PRIOR TE CONNECTIVITY APPROVAL AND AUTHORIZATION BY REVISION TO THIS DRAWING.

NOTES: UNLESS OTHERWISE SPECIFIED

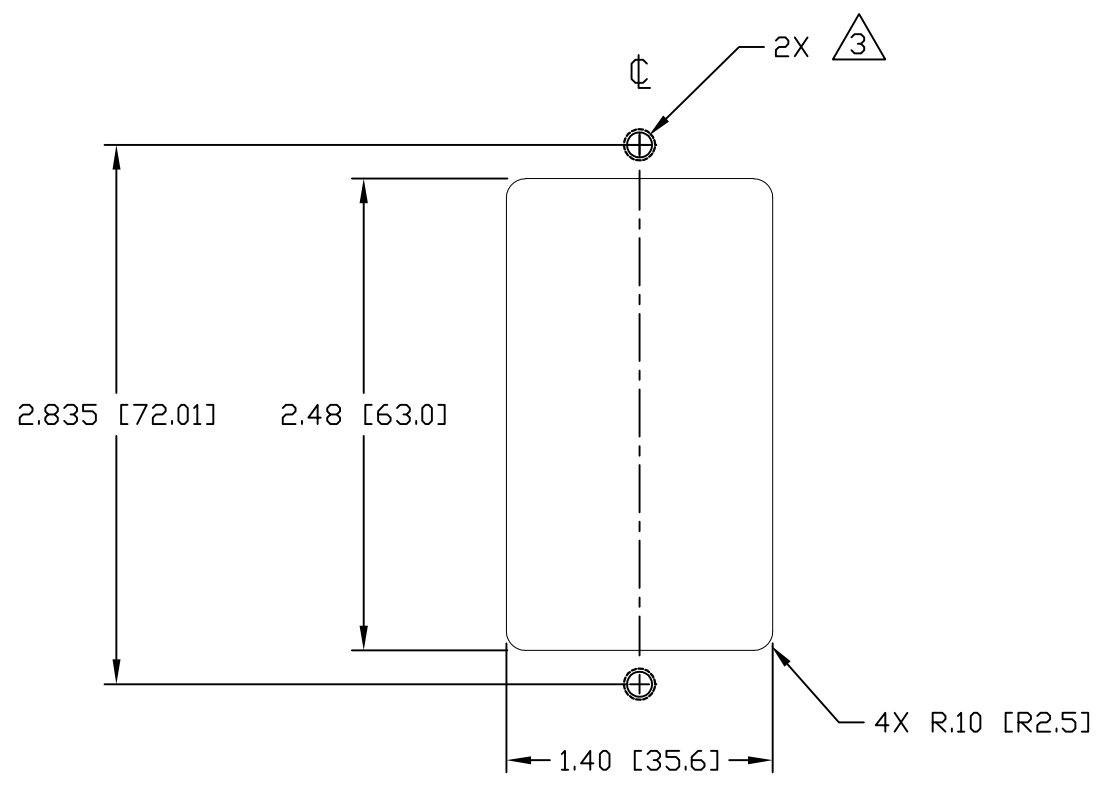
1648151-1	AS SHOWN		
PART NUMBER	DESCRIPTION		
TE Connectivity			
NAME: CONNECTOR, PIN HOUSING 2X#4, 32X#20, 6X#12, FLOAT MOUNT 125A MIDDLE DRAWER			
DWN	03/25/06	HA NGUYEN	
CHK	-		
APVD	03/25/06	STEVE FLICKINGER	
PRODUCT SPEC	-		
APPLICATION SPEC	-		
SIZE	A3	CAGE CODE	00779
DRAWING NO	C-1648151		RESTRICTED TO
SCALE	1:1	SHEET	1 OF 3
CUSTOMER DRAWING		REV	A1

THIS DRAWING IS A CONTROLLED DOCUMENT.	
DIMENSIONS: INCH(MM)	TOLERANCES UNLESS OTHERWISE SPECIFIED:
	0 PLC ± - 1 PLC ± - 2 PLC ± 0.02(0.3) 3 PLC ± 0.010(0.25) 4 PLC ± - ANGLES ± 0.5°
MATERIAL	FINISH
-	-

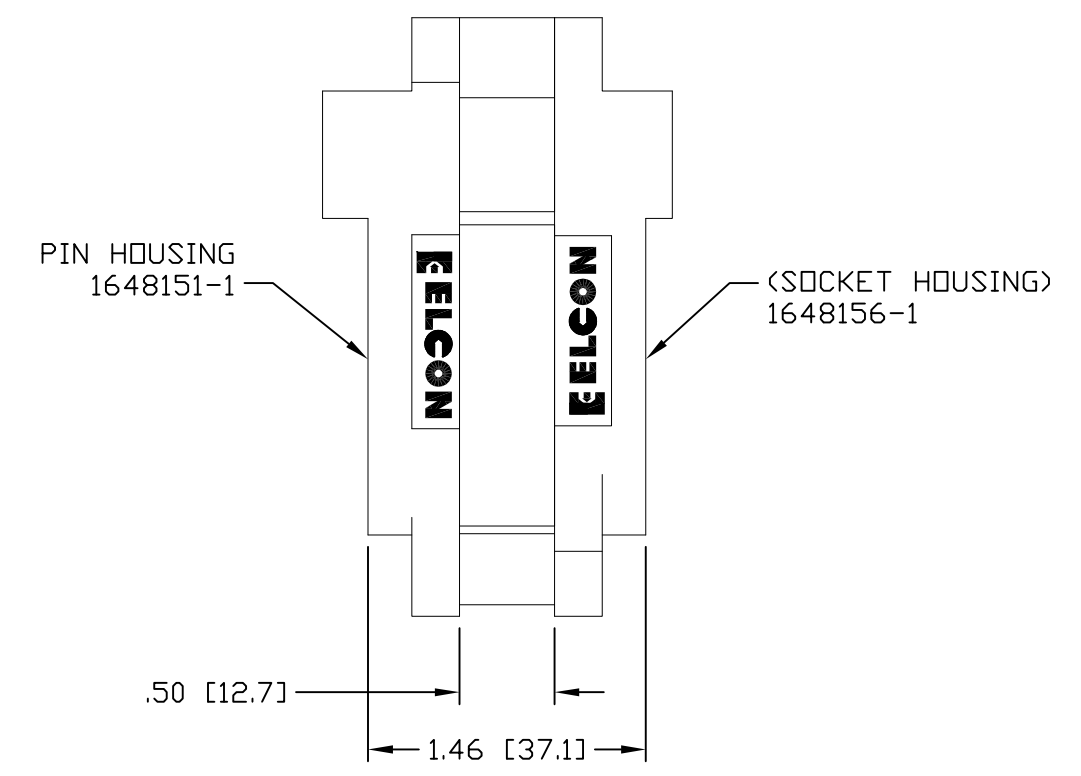
THIS DRAWING IS UNPUBLISHED.		RELEASED FOR PUBLICATION		EC	LOC	DIST	REVISIONS					
© COPYRIGHT - By -		ALL RIGHTS RESERVED.					P	LTR	DESCRIPTION	DATE	DWN	APVD
									SEE SHEET 1			



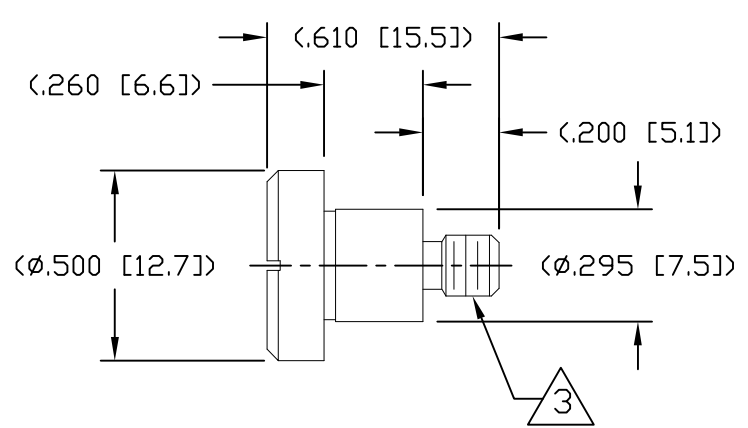
THIS DRAWING IS A CONTROLLED DOCUMENT.		DWN	HA NGUYEN 03/25/06		TE Connectivity			
DIMENSIONS: INCH(MM)		CHK	-					NAME CONNCTOR, PIN HOUSING 2X#4, 32X#20, 6X#12, FLOAT MOUNT 125A MIDDLE DRAWER
TOLERANCES UNLESS OTHERWISE SPECIFIED:		APVD	STEVE FLICKINGER 03/25/06		SIZE	CAGE CODE	DRAWING NO	
0 PLC ± - 1 PLC ± - 2 PLC ± 0.02(0.3) 3 PLC ± 0.010(0.25) 4 PLC ± - ANGLES ± 0.5°		PRODUCT SPEC	-		A3	00779	C-1648151	-
MATERIAL		APPLICATION SPEC	-		CUSTOMER DRAWING			SCALE
FINISH		WEIGHT	-		1:1			SHEET
				2 OF 3			REV	
				A1				



RECOMMENDED PANEL CUTOUT
AS VIEWED FROM CONNECTOR MOUNTING SIDE
(FRONT VIEW)



MATED CONDITION



SHOULDER SCREW
SCALE 2:1
SHOWN FOR REFERENCE ONLY

THIS DRAWING IS A CONTROLLED DOCUMENT.		DWN HA NGUYEN 03/25/06	TE Connectivity		
DIMENSIONS: INCH(MM)		CHK -			
TOLERANCES UNLESS OTHERWISE SPECIFIED:		APVD STEVE FLICKINGER 03/25/06	USER INFORMATION		
0 PLC ± - 1 PLC ± - 2 PLC ± 0.02(0.3) 3 PLC ± 0.010(0.25) 4 PLC ± - ANGLES ± 0.5°		PRODUCT SPEC -	RECOMMENDED PANEL CUTOUT AND MATED CONDITION		
MATERIAL -		FINISH -	APPLICATION SPEC -	SIZE A3	RESTRICTED TO -
		WEIGHT -	CAGE CODE 00779	DRAWING NO C-1648151	
CUSTOMER DRAWING			SCALE 1:1	SHEET 3 OF 3	REV A1

单击下面可查看定价，库存，交付和生命周期等信息

[>>TE Connectivity\(泰科\)](#)