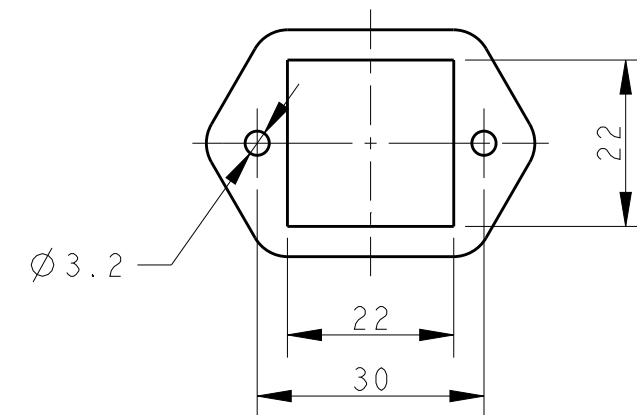
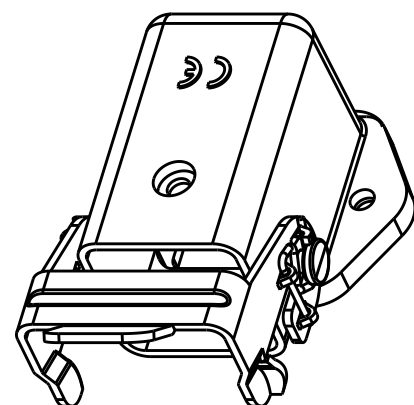
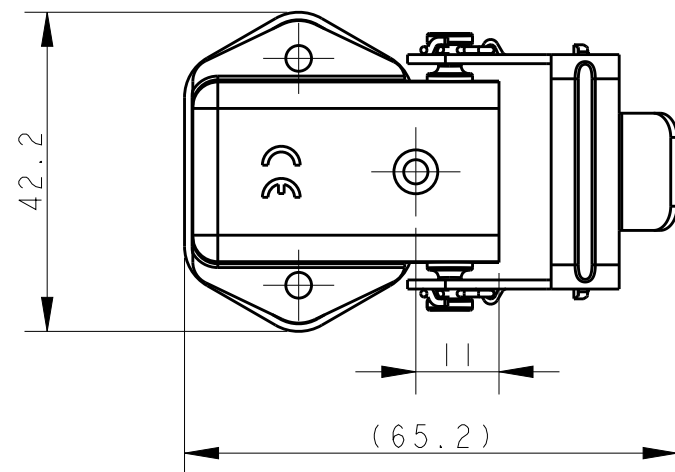
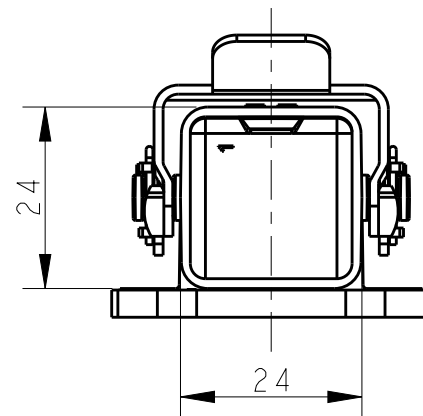
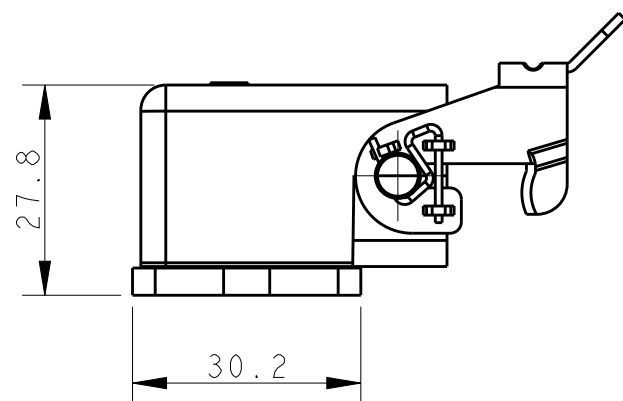
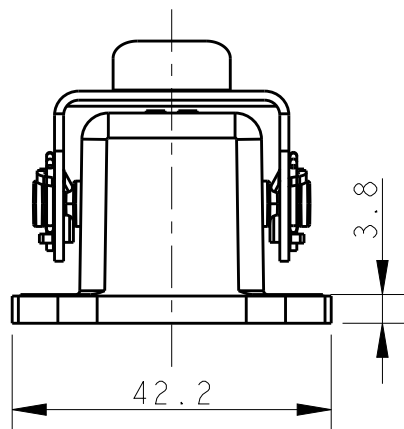


REVISIONS

P	LTR	DESCRIPTION	DATE	DWN	APVD
A		INITIAL RELEASE	04MAY2015	DL	CW
B		ECR-20-007782	24NOV2020	BS	CW



PANNEL CUT OUT

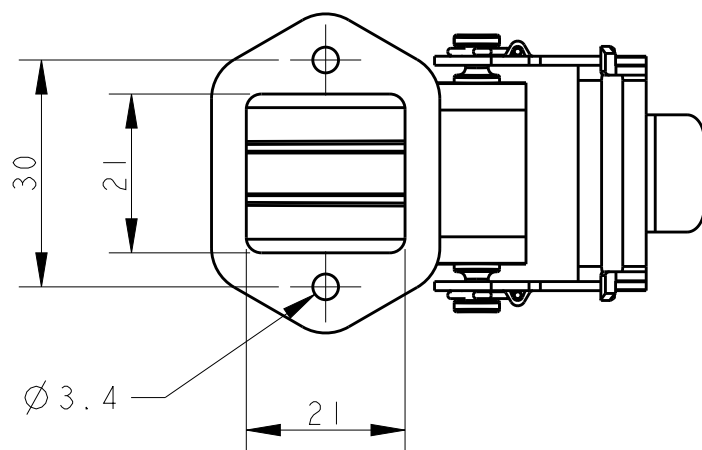


NOTES:

- 1. TECHNICAL CHARACTERISTICS:
 BODY MATERIAL: DIE CAST ZINC ALLOY
 SURFACE TREATMENT: POWDER-COATED, GRAY
 DEGREE OF PROTECTION: IP65 (MATED)

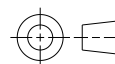
注释:

- 1. 技术参数:
 主体材料: 锌合金
 表面处理: 粉末喷涂, 灰色
 防护等级: IP65(配合)



THIS DRAWING IS A CONTROLLED DOCUMENT.

DIMENSIONS: mm



TOLERANCES UNLESS OTHERWISE SPECIFIED:

0 PLC	±-
1 PLC	±-
2 PLC	±-
3 PLC	±-
4 PLC	±-
ANGLES	±-

MATERIAL

FINISH

DWN 04MAY2015

DAVID LI

CHK 04MAY2015

CHRIS WANG

APVD 04MAY2015

XU XIANG

PRODUCT SPEC

108-137012

APPLICATION SPEC

114-137012

WEIGHT

-

Customer Drawing

T1549030000-000

ASSEMBLY PART NUMBER

H3A-MAGS

ASSEMBLY PART DESCRIPTION



TE Connectivity

NAME H3A-MAGS

SIZE CAGE CODE DRAWING NO RESTRICTED TO

A3

-

©-T1549030000000

-

SCALE 1:1 SHEET 1 OF 1 REV B

单击下面可查看定价，库存，交付和生命周期等信息

[>>TE Connectivity\(泰科\)](#)