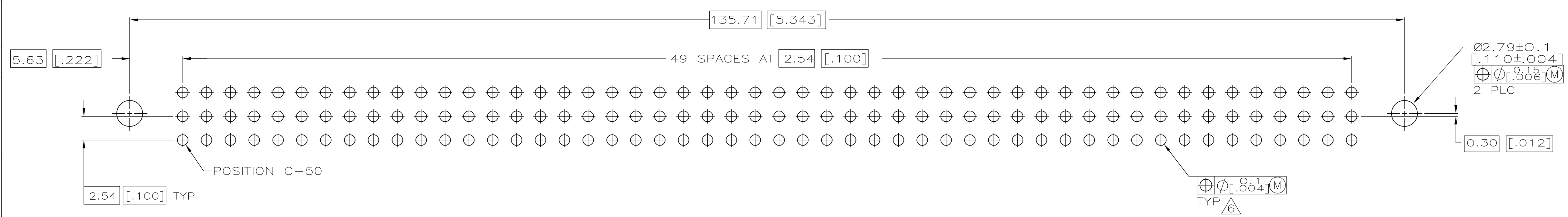
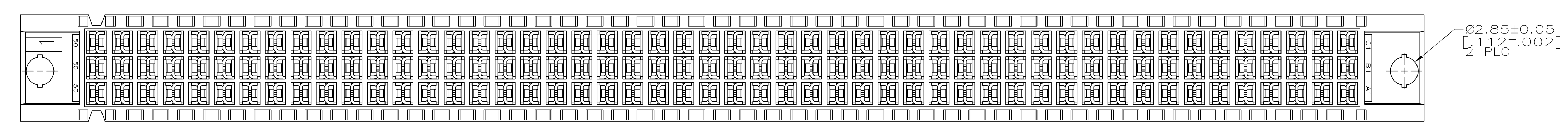
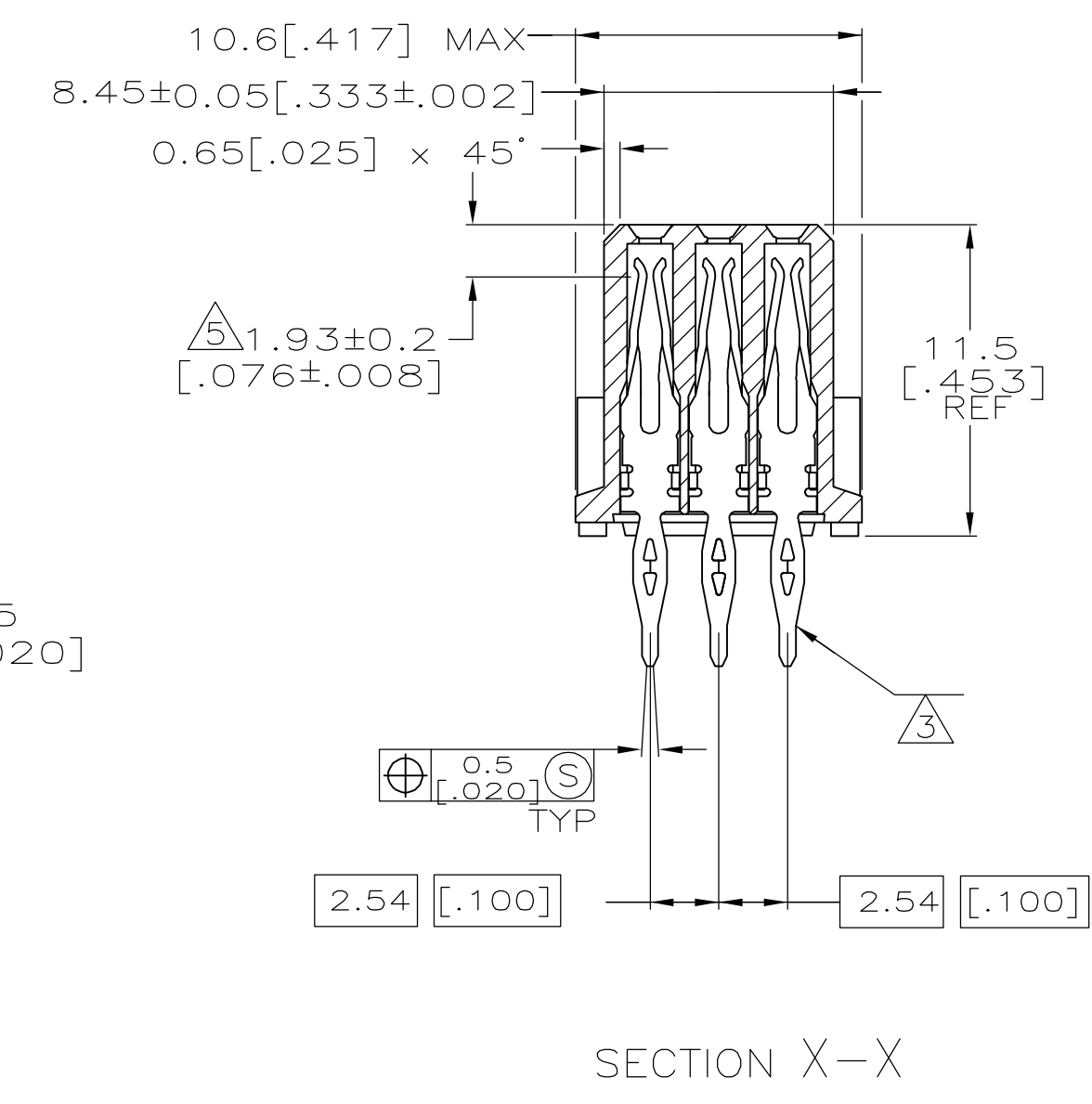
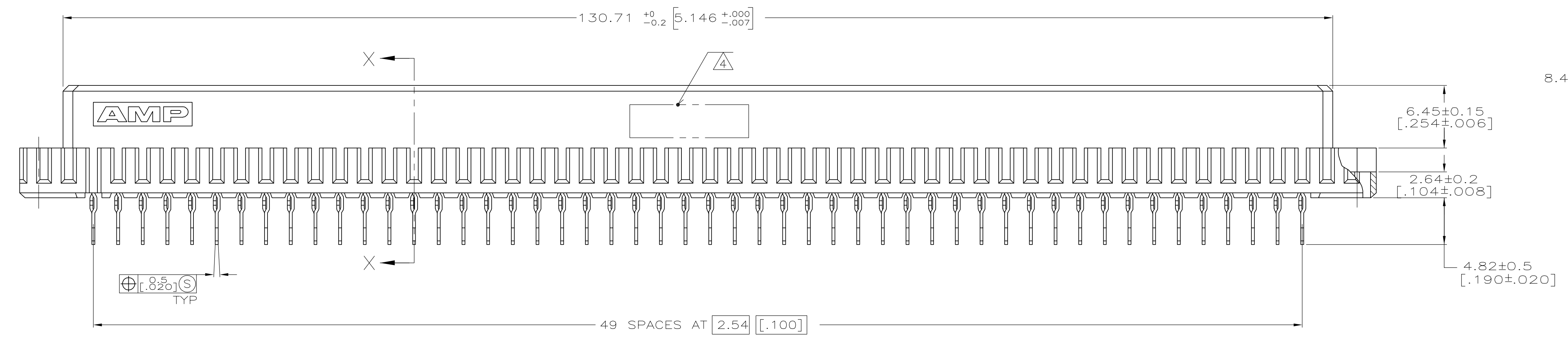
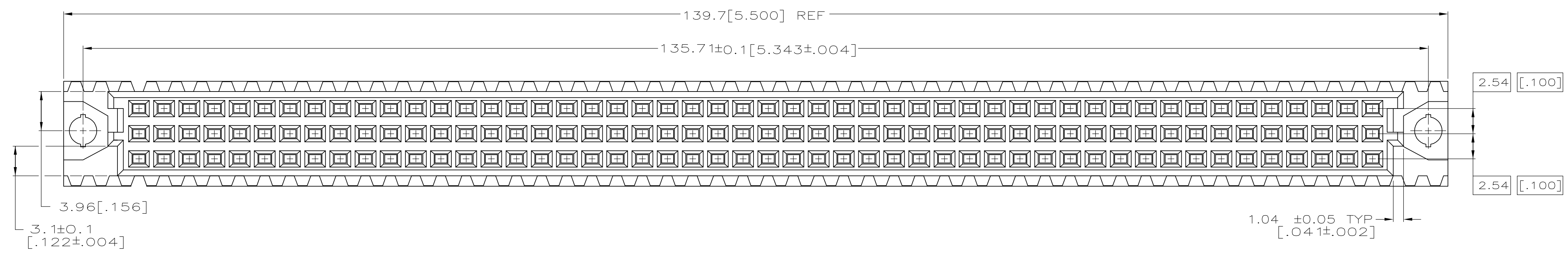


LOC		DIST		REVISIONS			
F	LTR	DESCRIPTION	DATE	DWN	APVD		
0		RELEASE PER EC 0512-0082-05	03JUN05	JDP	AMS		

- ① HOUSING MATERIAL: GLASS-FILLED POLYMER.
- ② CONTACT MATERIAL: COPPER ALLOY.
- ③ CONTACT FINISH: DIN 41612 CLASS 2 IN CONTACT AREA. TIN PLATE ON TAILS.
- ④ PART NUMBER, DATE CODE IDENTIFICATION, CSA LOGO IN THIS APPROXIMATE AREA, ON REVERSE SIDE.
- ⑤ CONTACT POINT.
- ⑥ ACTION PIN POSTS REQUIRE 1.57[.062] MIN THICK PC BOARD. RECOMMENDED PC BOARD HOLES ARE $\varnothing 1.151 \pm 0.02$ [.0453 \pm .001] DRILLED HOLE WITH 0.02-0.07 [.001-.003] COPPER AND 0.008 [.0003] MIN TIN-LEAD PLATING. FINISHED HOLE AFTER PLATING, $\varnothing 0.94-1.09$ [.037-.043].



PC BOARD LAYOUT

5535080-5
 ASSY PART NUMBER

THIS DRAWING IS A CONTROLLED DOCUMENT.		DWN: J. POLIGNONE	03JUN05		Tyco Electronics Corporation Harrisburg, Pa 17105-3608	
DIMENSIONS: mm [INCHES]		CHK: A. SHARPE	03JUN05		NAME: ASSEMBLY, RECEPTACLE, EUROCARD, TYPE C, LEAD-FREE, 150POSITION, 4.83[.190] TOOLLESS, PRESS-FIT	RESTRICTED TO
TOLERANCES UNLESS OTHERWISE SPECIFIED:		APPD: A. SHARPE	03JUN05	PRODUCT SPEC: --	SIZE: A1	
0 PLC ± -		PRODUCT SPEC: --		APPLICATION SPEC: --	CAGE CODE: 00779	
1 PLC ± -		APPLICATION SPEC: --		WEIGHT: --	DRAWING NO: 5535080	
2 PLC ± 0.15[.005]		WEIGHT: --		CUSTOMER DRAWING	SCALE: 4:1	
3 PLC ± -					SHEET 1 OF 1	
4 PLC ± -					REV 0	
ANGLES ± -						
FINISH ③						

单击下面可查看定价，库存，交付和生命周期等信息

[>>TE Connectivity\(泰科\)](#)