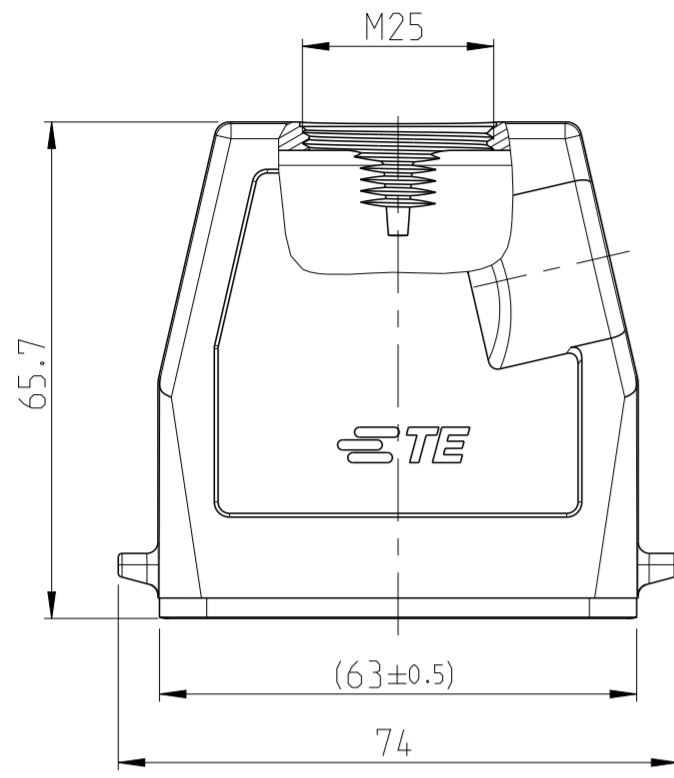
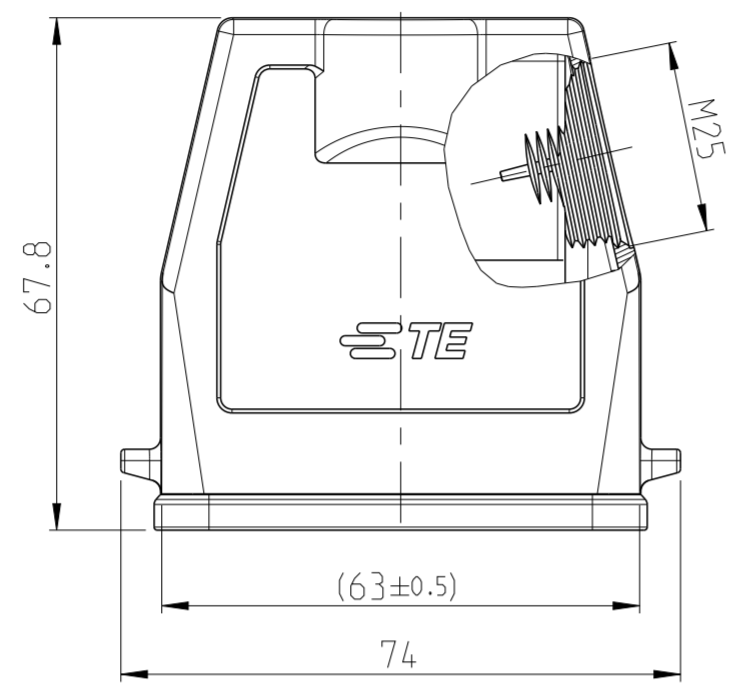


REVISIONS					
P	LTR	DESCRIPTION	DATE	DWN	APVD
E3		ECR-09-022009	18NOV2009	SR	OD
E4		REVISED PER ECR-17-014013	10JAN2018	SRG	MKO
E5		ECR-20-000801	17JAN2020	QY	JB

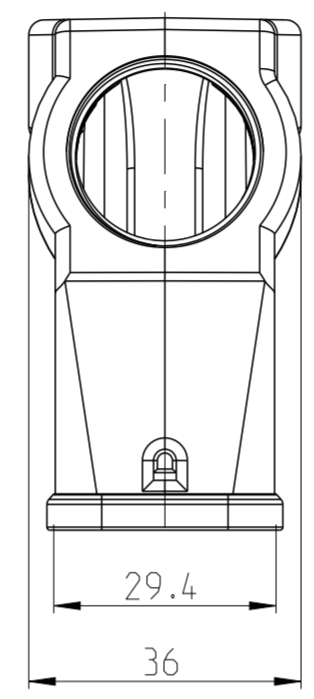
PN 0-1 AS SHOWN



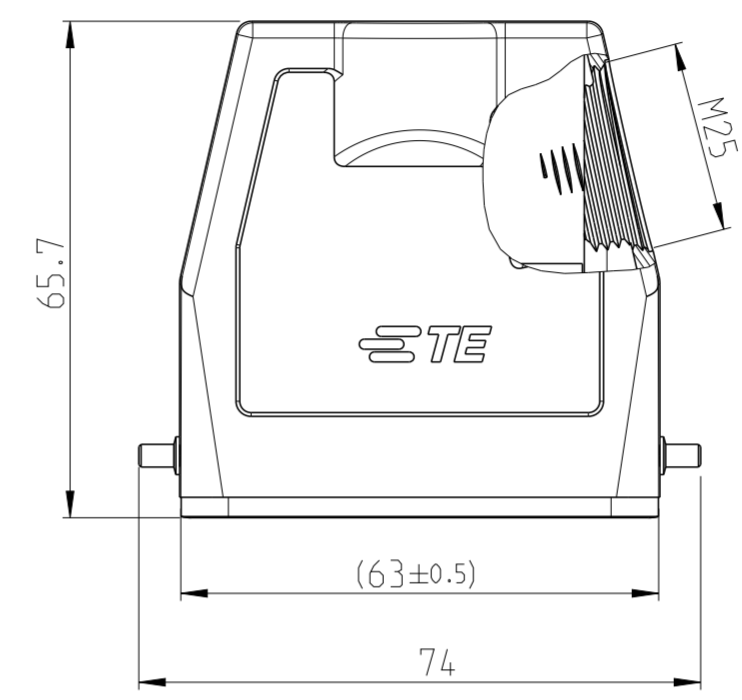
PN 0-2 AS SHOWN



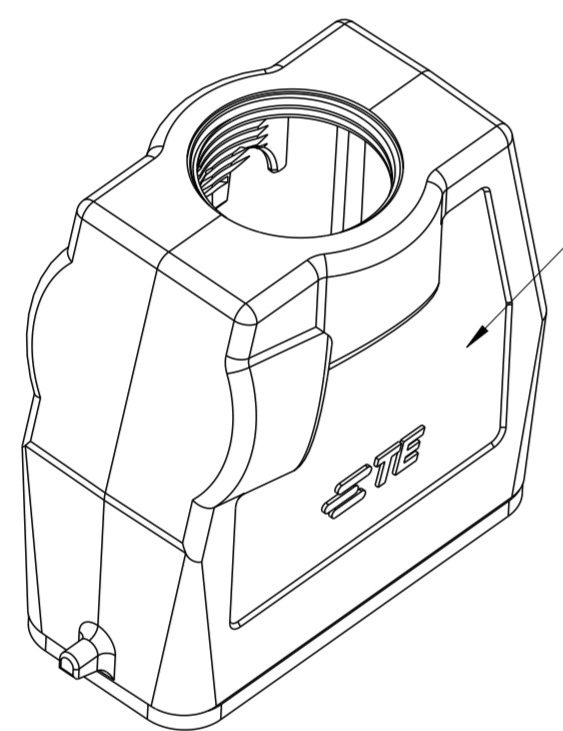
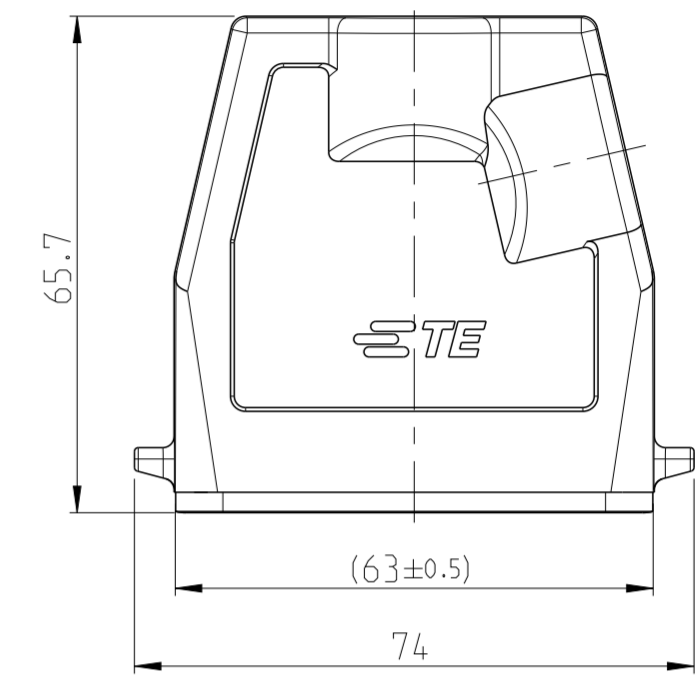
PN 0-2 AS SHOWN



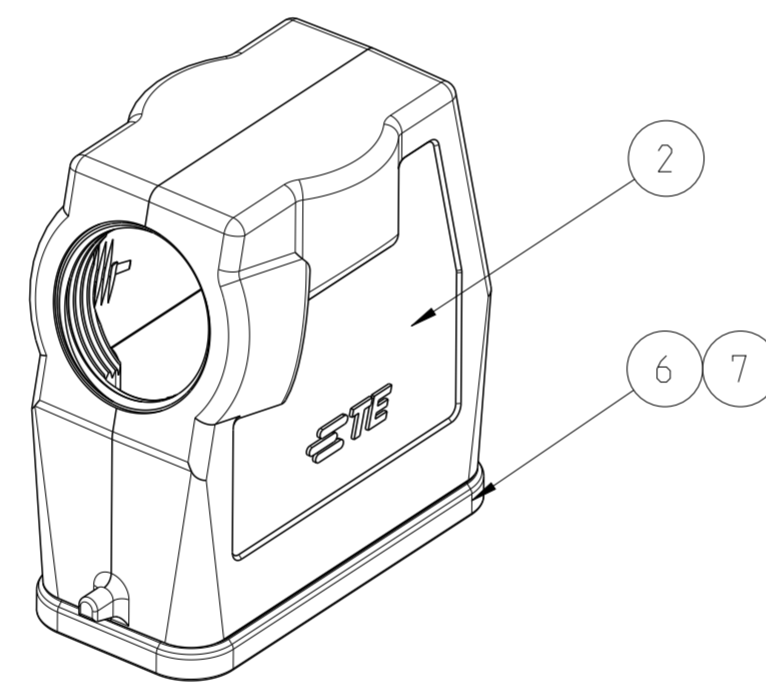
PN 0-4 AS SHOWN



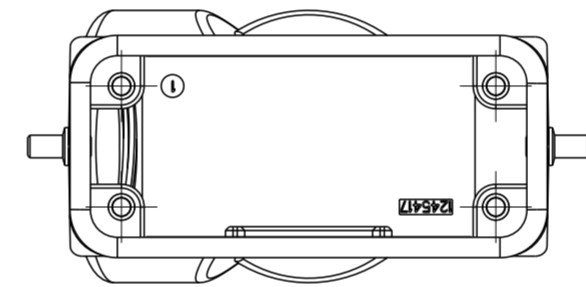
PN 0-5 AS SHOWN



PN 0-1 AS SHOWN

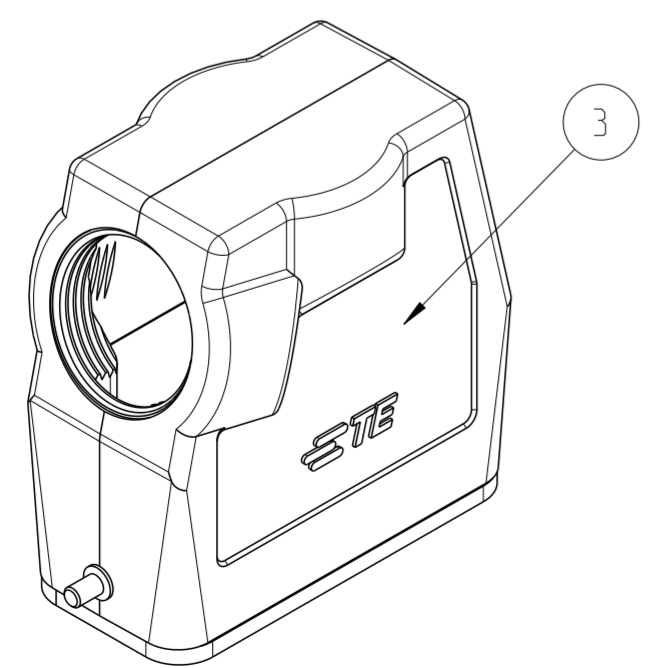


PN 0-2 AS SHOWN

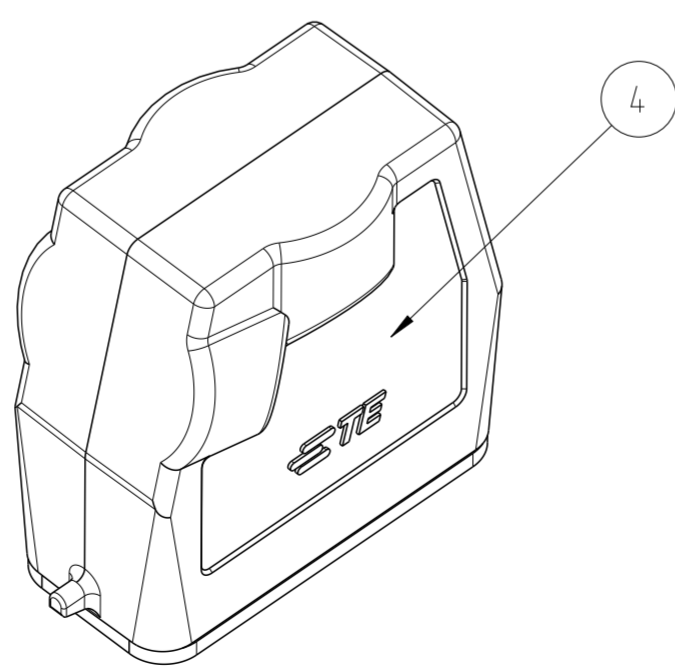


NOTES:

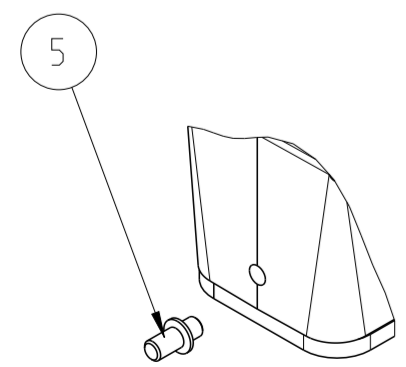
- 1 PACKAGING QUANTITY: 5 PIECES PER BOX
- MATERIAL: HOUSING: ALUMINUM DIE CAST ALLOY  
SEALS: NEOPRENE
- 2 SURFACE: VARNISH GREY  
ALUMINUM OXIDE + VARNISH BLACK
- 3 VARNISH ON THE INSIDE NOT NECESSARY



PN 0-4 AS SHOWN



PN 0-5 AS SHOWN



OBSOLETE	OBSOLETE	OBSOLETE								
2	2	2	2	INSULATING TAPE	COROPLAST TYP 303			GREY RAL7001	7	PVC SOFT
1	1	1	1	PROFILE SEAL	NEOPRENE			BLACK	6	
			2	CLIP BOLT	STAINLESS STEEL	BLANK			5	
			1	HOOD HD	ALU. ALLOY			GREY RAL7001	4	
			1	HOOD HD	ALU. ALLOY	ALUMINUM OXID		BLACK	3	
			1	HOOD HD	ALU. ALLOY			GREY RAL7001	2	
			1	HOOD HD	ALU. ALLOY			GREY RAL7001	1	
0-5	0-4	0-2	0-1	DESCRIPTION	MATERIAL	SURFACE	COLOR	ITEM	NOTES	
				HD-15.STO.1.M25.G						
				HD-15.STS.1.M25.G						
				HD-K.15.STS.1.M25.G						
				HD-15.ST						

THIS DRAWING IS A CONTROLLED DOCUMENT. DWN V. GLUMM 18NOV2009

DIMENSIONS: mm TOLERANCES UNLESS OTHERWISE SPECIFIED:

0 PLC	±
1 PLC	±
2 PLC	±
3 PLC	±
4 PLC	±
ANGLES	±°
FINISH	

MATERIAL: material\_2 FINISH: finish\_spec\_2

APVD: - PRODUCT SPEC: - APPLICATION SPEC: - WEIGHT: -

NAME: CONNECTOR HOUSING ASS'Y SERIES HD.15 METRIC THREAD

SIZE: A2 CAGE CODE: 00779 DRAWING NO: C-1106414 RESTRICTED TO: -

CUSTOMER DRAWING SCALE: 1:1 SHEET: 1 OF 1 REV: E5

单击下面可查看定价，库存，交付和生命周期等信息

[>>TE Connectivity\(泰科\)](#)