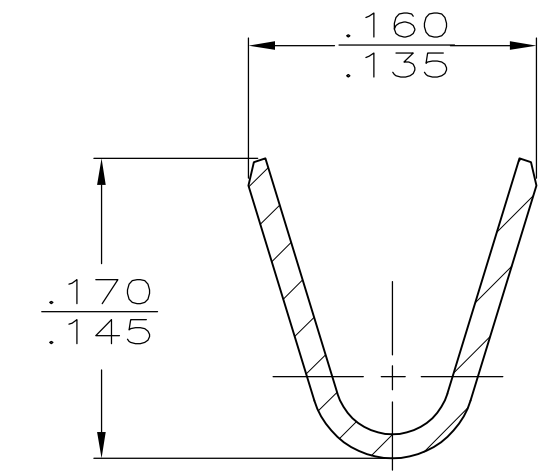
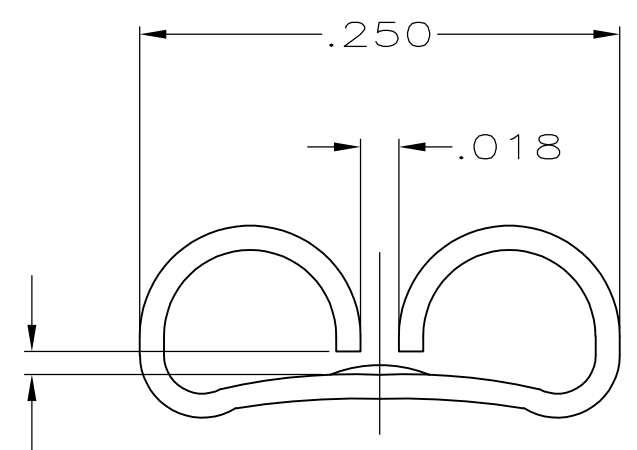
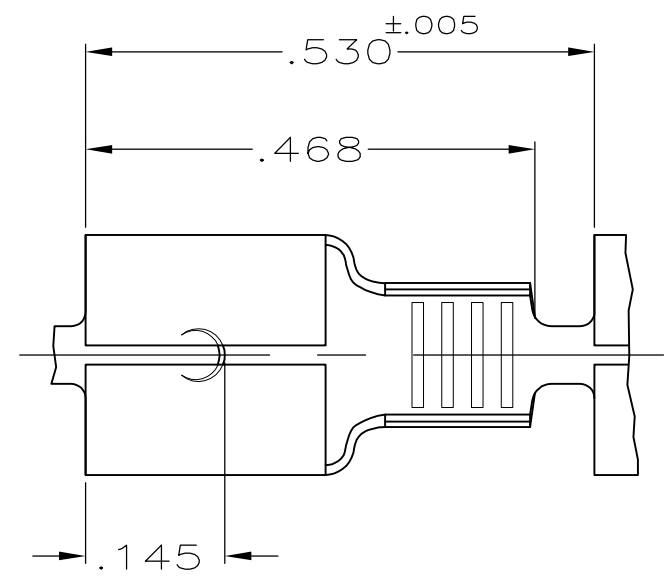


THIS DRAWING IS UNPUBLISHED. RELEASED FOR PUBLICATION
 © COPYRIGHT - By - ALL RIGHTS RESERVED.

LOC	DIST	REVISIONS			
P	LTR	DESCRIPTION	DATE	DWN	APVD
AF	50	M	REVISED PER ECR-12-013445	09NOV12	KH PD

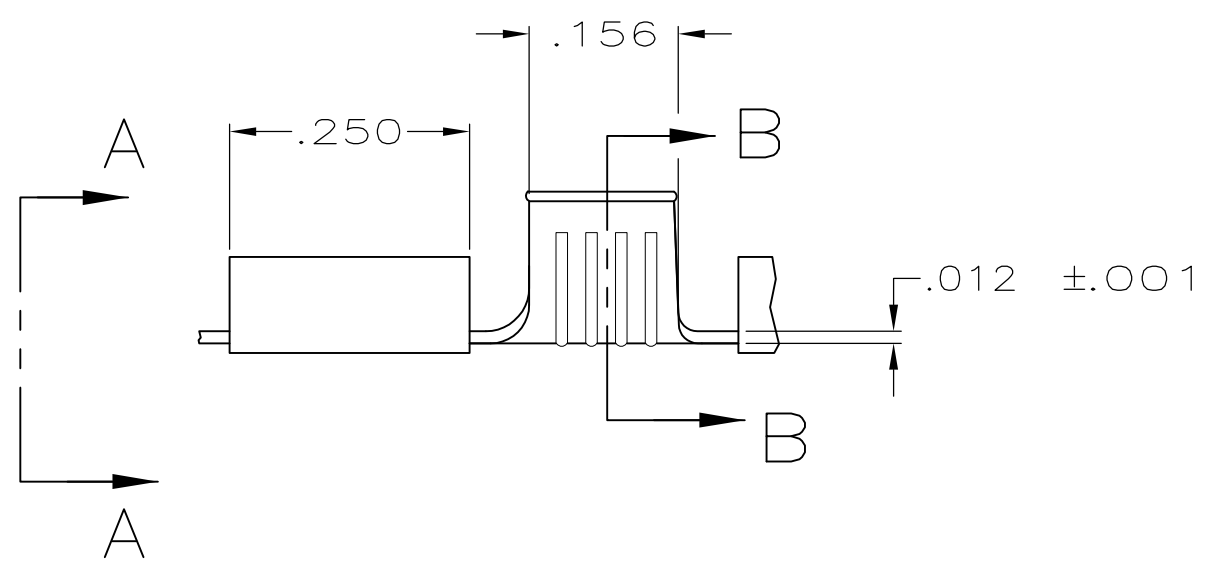
1 CONTINUOUS STRIP ON REELS



FITS .205 SERIES FASTON TAB

VIEW A-A
SCALE 10:1

SECTION B-B
SCALE 10:1



OBSOLETE	TIN	18-14	.020	42712-2
	FINISH	WIRE SIZE	MATING TAB THK #.001	42712-1
		PART NUMBER		

THIS DRAWING IS A CONTROLLED DOCUMENT.		DWN	JR RUTH	5/8/90	TE Connectivity RECEPTACLE, FASTON, .205 SERIES								
DIMENSIONS: INCHES		CHK	MS FEHER	5/8/90									
		APVD	C MEYERS	5/9/90									
TOLERANCES UNLESS OTHERWISE SPECIFIED:		PRODUCT SPEC											
0 PLC ± - 1 PLC ± - 2 PLC ± - 3 PLC ± .015 4 PLC ± - ANGLES ± -		APPLICATION SPEC			NAME								
MATERIAL	BRASS	FINISH	SEE TABLE	WEIGHT	-	SIZE	A3	CAGE CODE	00779	DRAWING NO	C-42712	RESTRICTED TO	-
CUSTOMER DRAWING				SCALE	5:1	SHEET	1 OF 1	REV	M				

单击下面可查看定价，库存，交付和生命周期等信息

[>>TE Connectivity\(泰科\)](#)