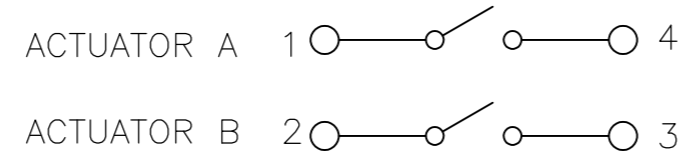
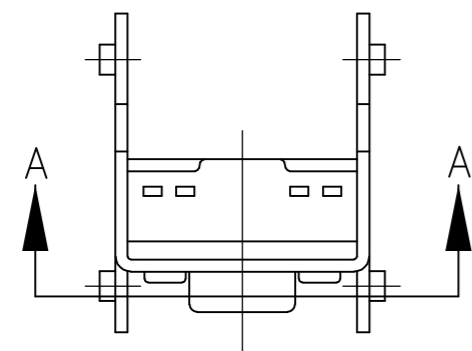


THIS DRAWING IS UNPUBLISHED. RELEASED FOR PUBLICATION  
 © COPYRIGHT - By - ALL RIGHTS RESERVED.

LOC		DIST		REVISIONS			
P	LTR	DESCRIPTION		DATE	DWN	APVD	
	B1	REVISED PER ECO-11-025366		22DEC11	KH	PO	

### CIRCUIT DIAGRAM



NOTE: TERMINAL NUMBERS ARE FOR REFERENCE ONLY, AND DO NOT APPEAR ON SWITCHES.

### SPECIFICATIONS:

#### MATERIALS:

CASE: PBT, G30, 94HB, BLACK.  
 FRAME: STEEL, TIN PLATE.  
 ACTUATOR BUTTON: PBT, G30, 94HB, COLOR: SEE BELOW.  
 MOVABLE CONTACT: COPPPER ALLOY, SILVER FINISH. FIXED CONTACT/TERMINAL: COPPER ALLOY, SILVER FINISH.

#### ELECTRICAL:

MAX CONTACT RATING: 50MILLIAMPS@24V DC  
 MIN CONTACT RATING: 10MICROAMPS@1V DC  
 CONTACT RESISTANCE: 100 MILLIOHMS MAX.  
 INSULATION RESISTANCE: 100 MEGOHMS @100 VDC.  
 DIELECTRIC STRENGTH: 250 VAC.  
 LIFE EXPECTANCY: 100,000 CYCLES MIN.

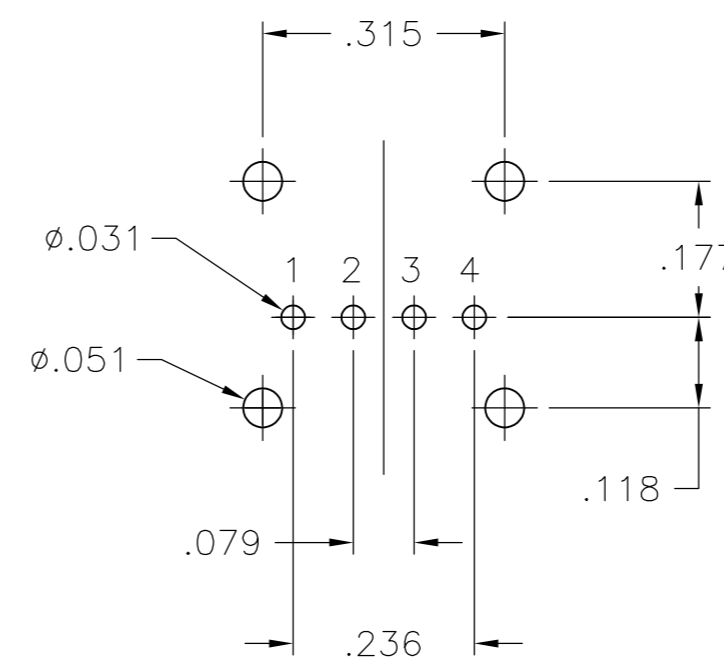
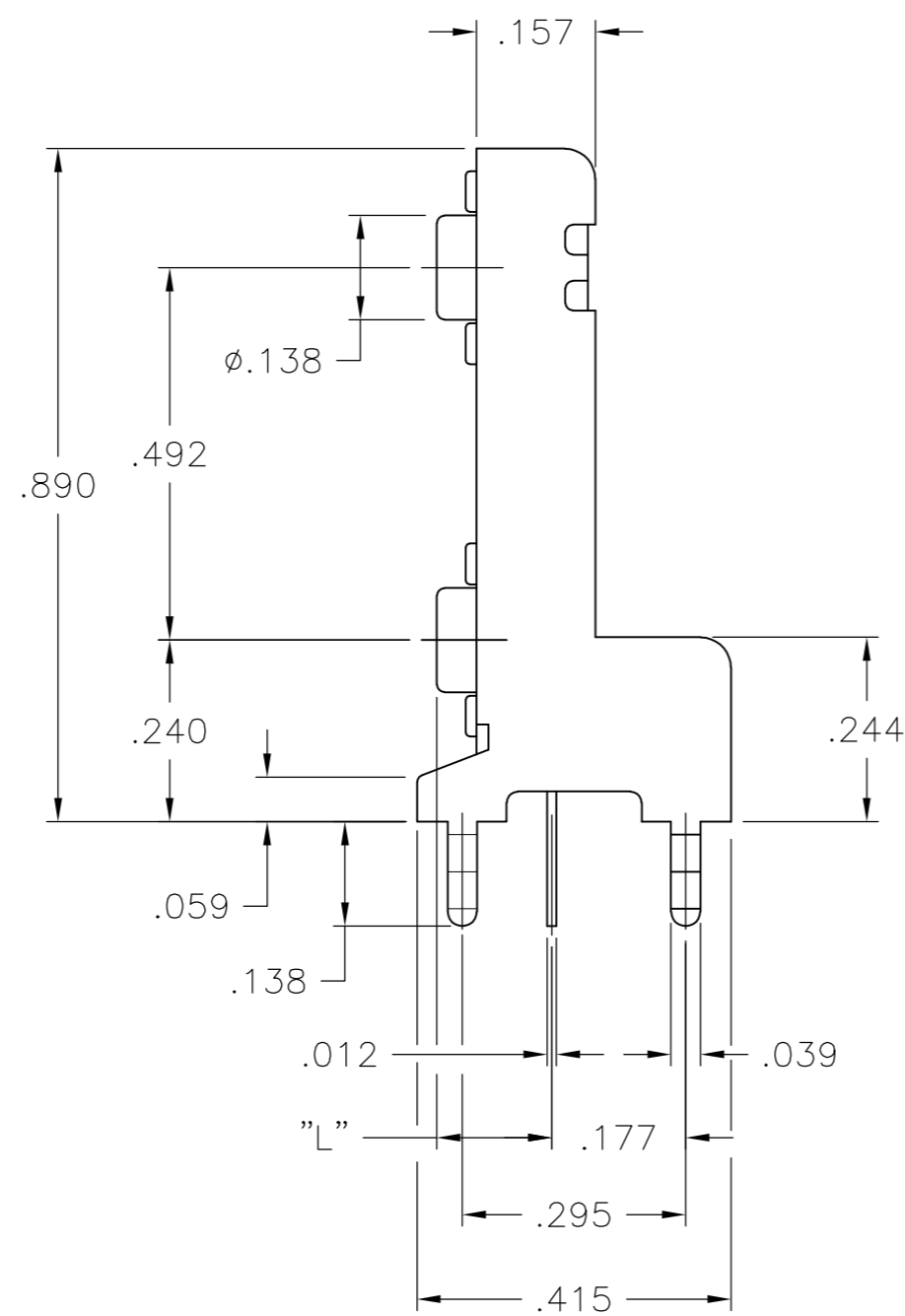
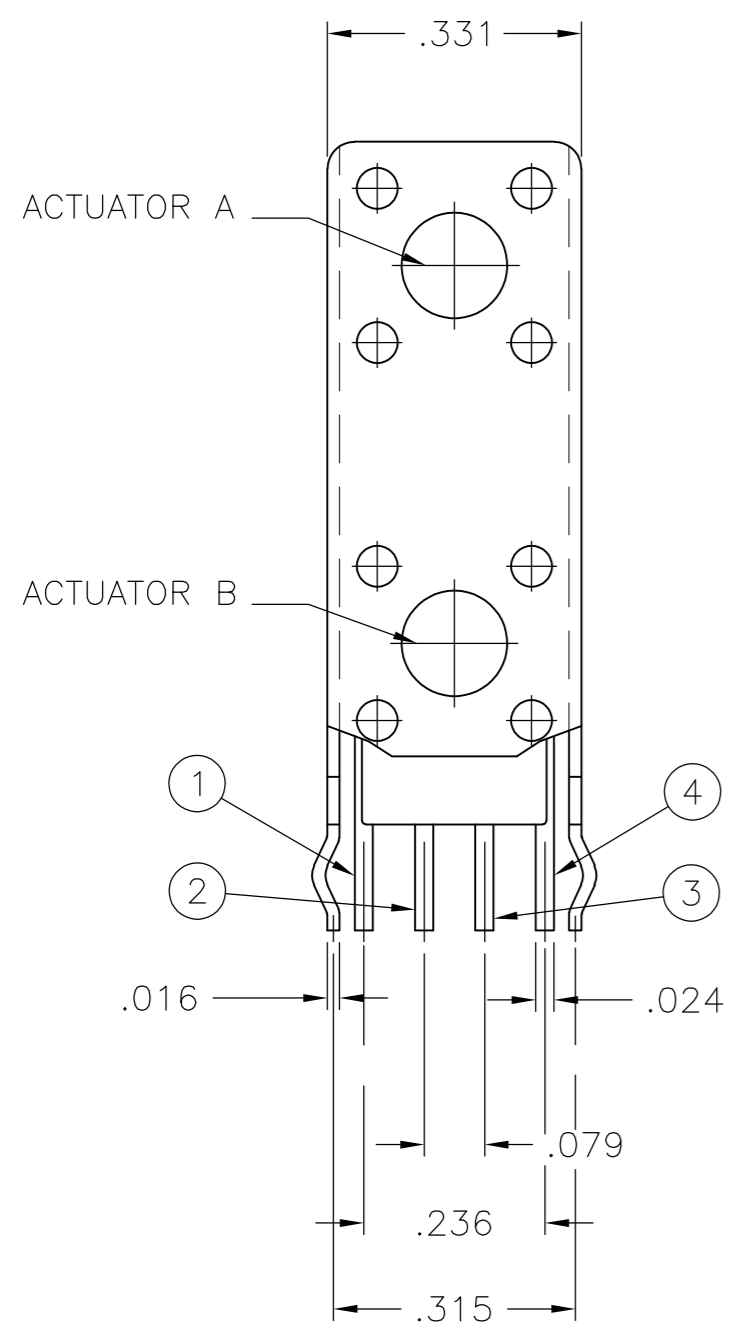
#### MECHANICAL:

ACTUATION FORCE: 160 ±50gf  
 ACTUATION TRAVEL: .010 +.008/-.004 INCHES.

#### ENVIRONMENTAL:

OPERATING TEMPERATURE: -35°C TO +85°C  
 STORAGE TEMPERATURE: -35°C TO +85°C.  
 SOLDER HEAT, PER 109-202 COND B.

1 ALL MATERIALS AND FINISHES SHALL COMPLY WITH EU DIRECTIVE 2002/95/EC OF 27JAN2003 (ROHS)



RECOMMENDED PCB LAYOUT  
 TOLERANCE ±.002 UNLESS OTHERWISE NOTED.

BLACK	.329±.005	FSM2RA9J	3-1437565-2
BLACK	.152±.005	FSM2RA2J	3-1437565-1
ACTUATOR BUTTON COLOR	DIM "L"	ALCO P/N	PART NUMBER

THIS DRAWING IS A CONTROLLED DOCUMENT.		DWN	12APR07		
DIMENSIONS: INCHES		CHK	12APR07		
TOLERANCES UNLESS OTHERWISE SPECIFIED:		APVD	12APR07		
0 PLC ± - 1 PLC ± - 2 PLC ± - 3 PLC ± .010 4 PLC ± - ANGLES ± - FINISH		NAME	M.SARVER		
MATERIAL		PRODUCT SPEC		TOWER DUAL BUTTON TACT SWITCH	
		APPLICATION SPEC		SIZE	A2
		WEIGHT	-	CAGE CODE	00779
CUSTOMER DRAWING		SCALE 4:1		DRAWING NO	3-1437565-1
		SHEET 1 of 1		RESTRICTED TO	-
		REV B1			

WAS 81128

单击下面可查看定价，库存，交付和生命周期等信息

[>>TE Connectivity\(泰科\)](#)