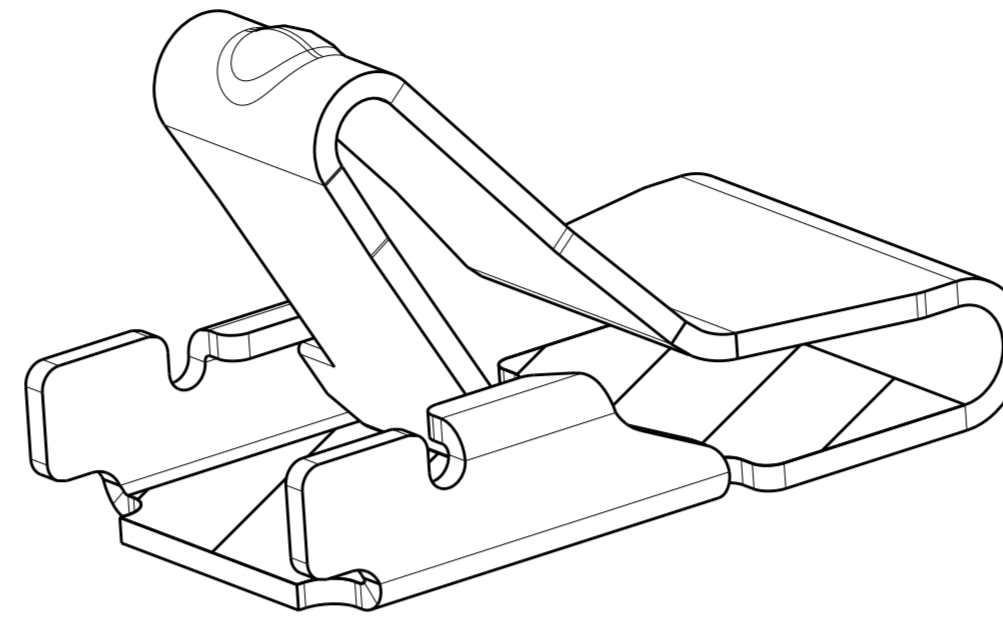
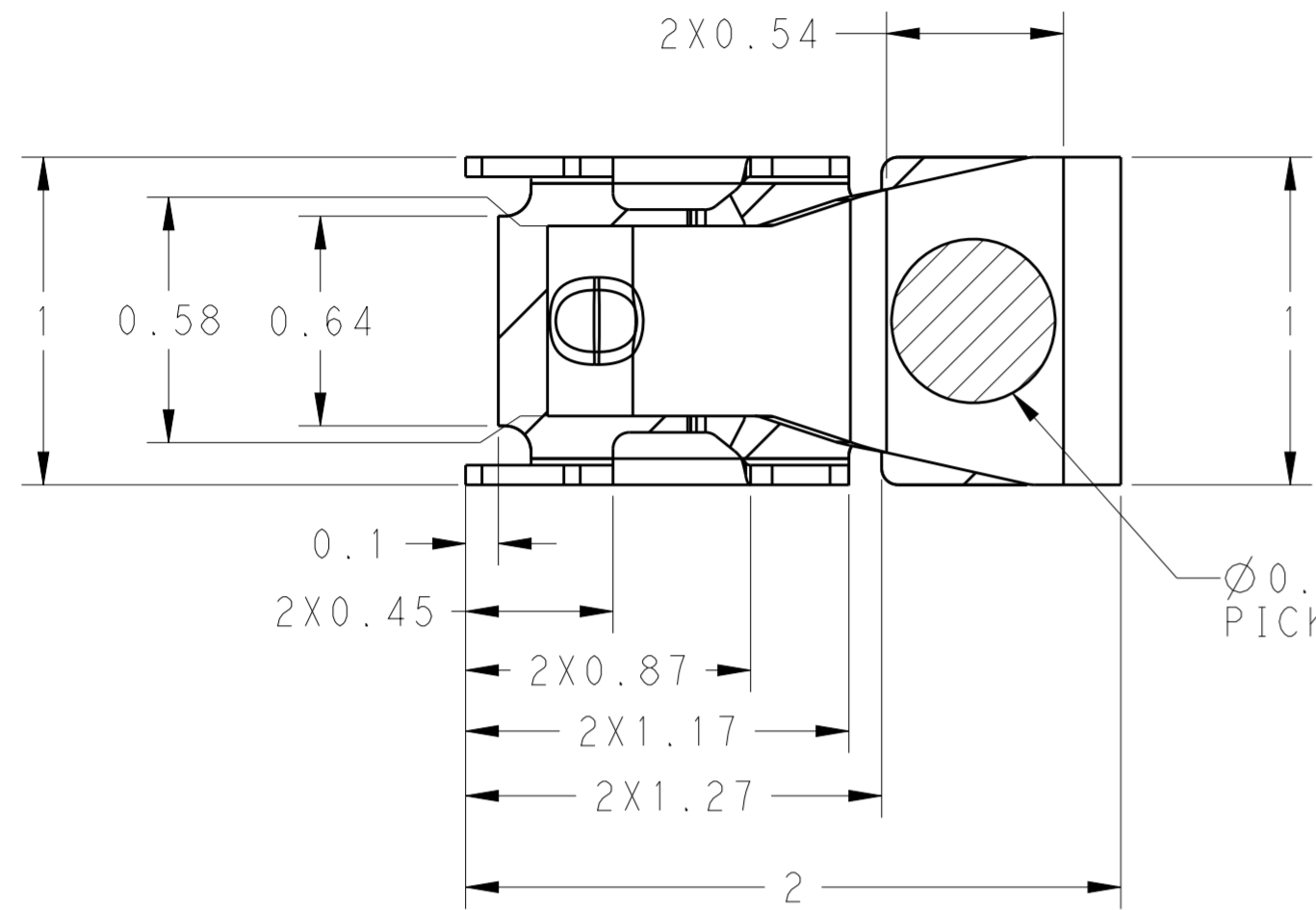


THIS DRAWING IS UNPUBLISHED. RELEASED FOR PUBLICATION
 © COPYRIGHT copyright.d8te- ALL RIGHTS RESERVED.

REVISIONS				
P	LTR	DESCRIPTION	DATE	APVD
	A	FIRST RELEASED	20DEC2017	J. J. W. H.

2306334-3 AS SHOWN



SCALE 60:1

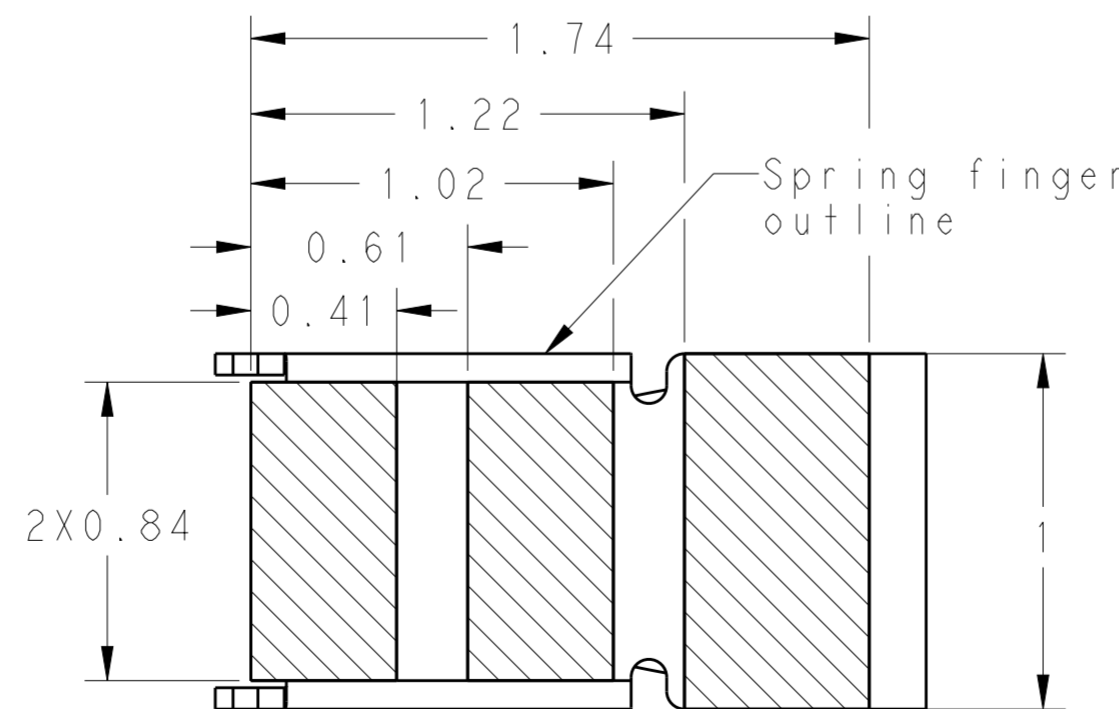
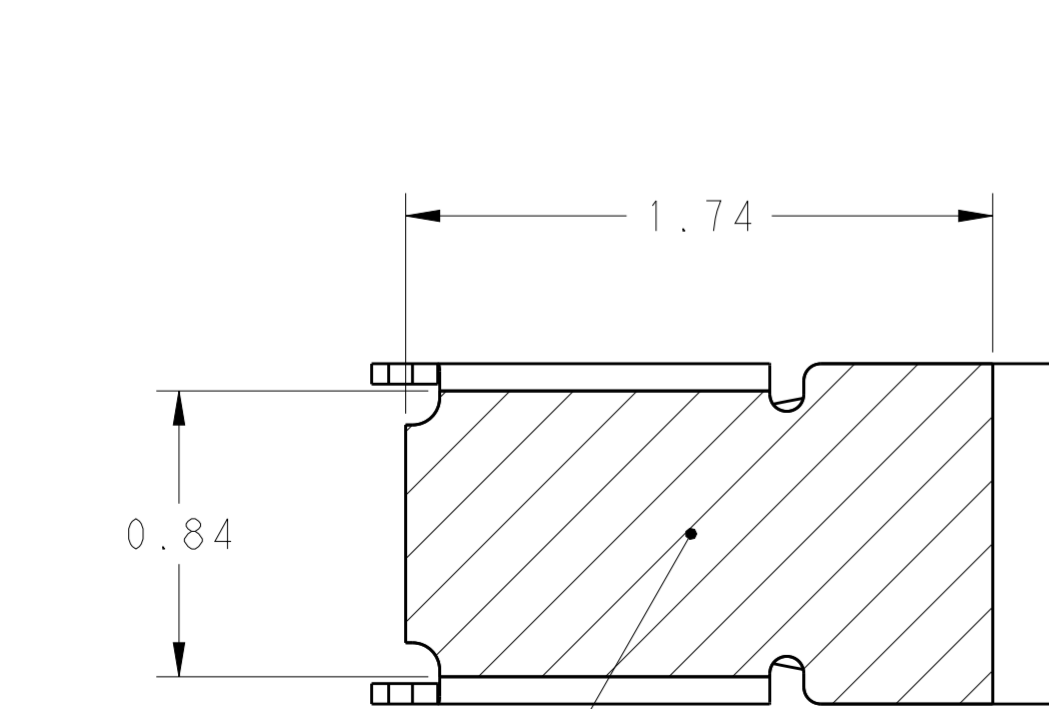
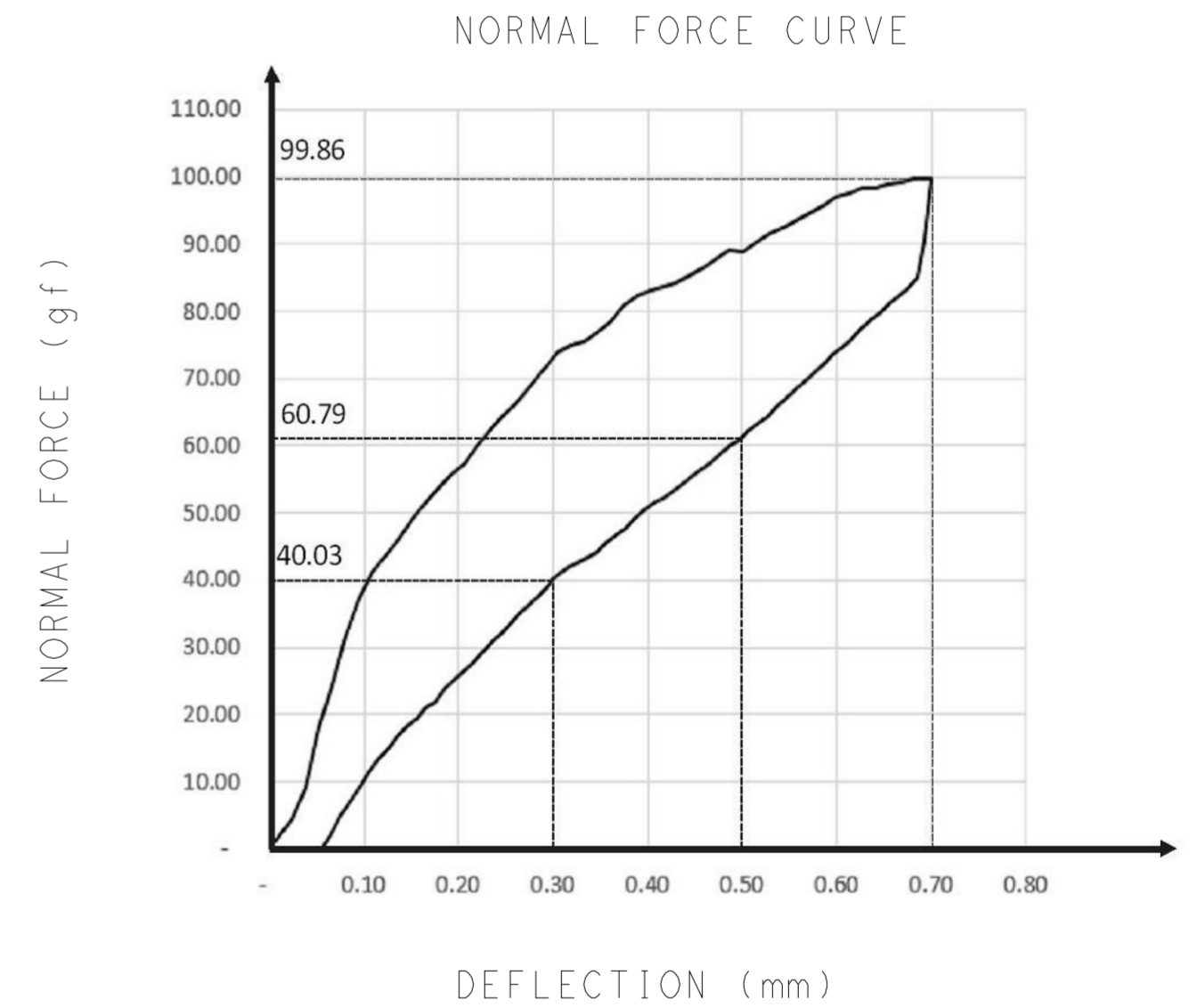
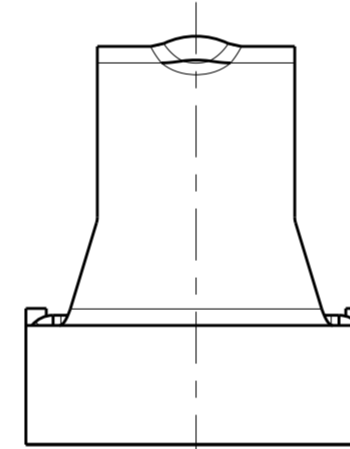
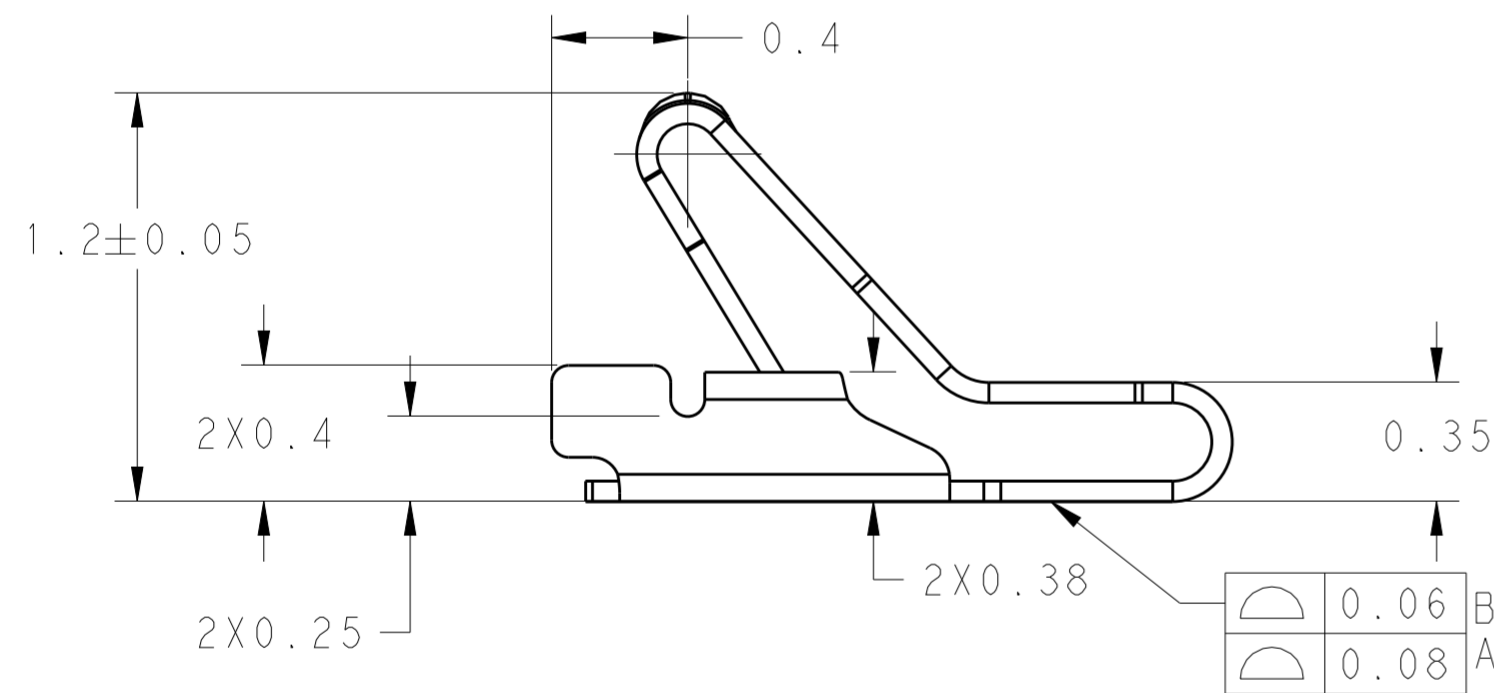
NOTE:

① MATERIAL: STAINLESS STEEL, TEMPER: K1500, THK: 0.06 mm

② FINISH: NICKEL PLATING 0.002~0.003 mm OVER ALL, GOLD PLATING 0.0001 mm AT CONTACT AREA, GOLDP LATING 0.000025 mm AT SOLDDERING AREA.

3 WORKING POSITION: 0.7±0.2 mm.

Ø0.5 PICK & PLACE AREA

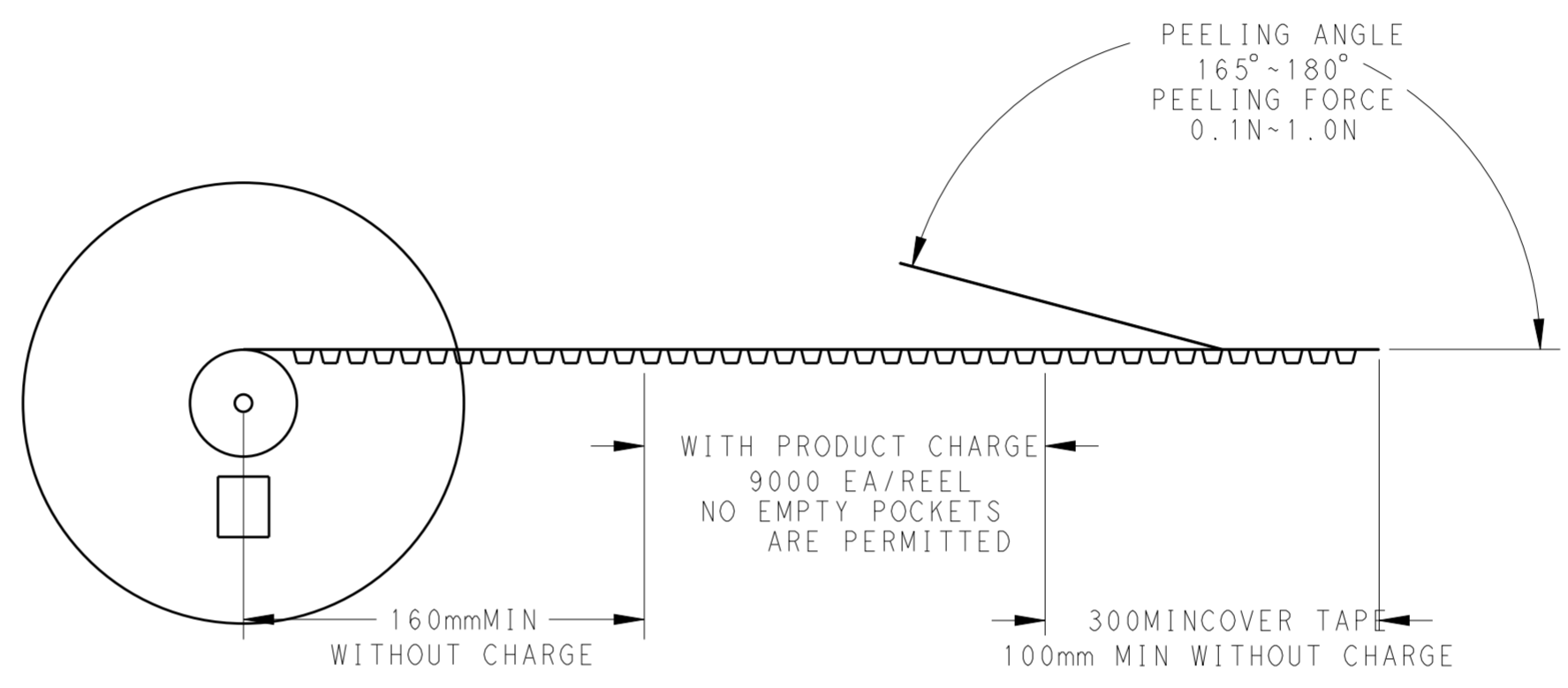
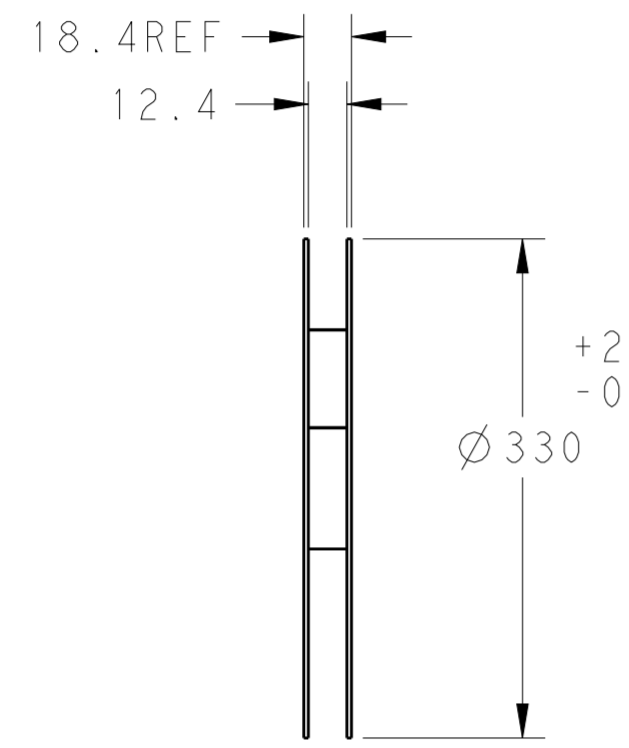


SCALE: 45:1
 RECOMMENDED PCB LAYOUT
 TOL: ±0.02

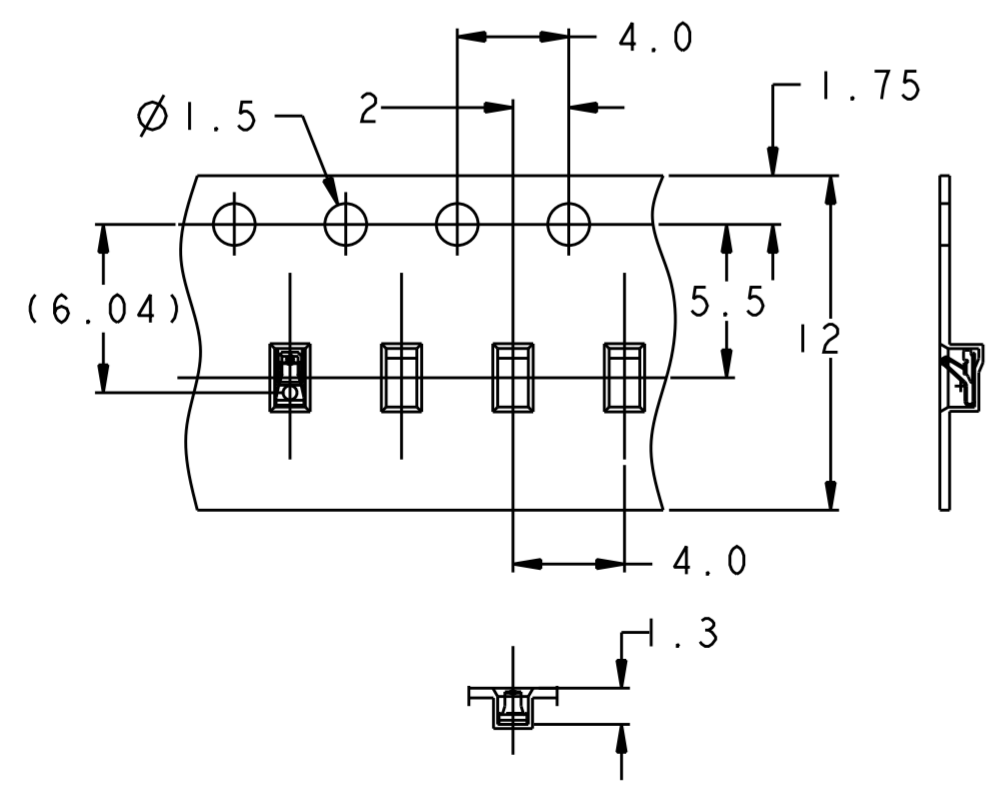
THIS DRAWING IS A CONTROLLED DOCUMENT.		DWN SIMON WU 4JUL2016	TE Connectivity	
DIMENSIONS: mm		CHK WENKE HE 4JUL2016		
TOLERANCES UNLESS OTHERWISE SPECIFIED:		APVD WENKE HE 4JUL2016	NAME	
0-PLC ±0.1	1-PLC ±0.1	PRODUCT SPEC	1.2H SPRING FINGER	
2-PLC ±0.01	3-PLC ±0.001	APPLICATION SPEC	SIZE A2	CAGE CODE -
4-PLC ±0.0001	ANGLES ±3°	FINISH	DRAWING NO. C-2306334	RESTRICTED TO
MATERIAL -	FINISH -	WEIGHT 0.0024	SCALE 48:1	SHEET 1 OF 2
CUSTOMER DRAWING		REV A		

THIS DRAWING IS UNPUBLISHED. RELEASED FOR PUBLICATION
 © COPYRIGHT copyright.d8te- ALL RIGHTS RESERVED.

REVISIONS				
P	LTR	DESCRIPTION	DATE	APVD
-	-	SEE SHEET 1	-	-



→ DIRECTION OF TOP OF REEL



PACKAGE FOR REFERENCE

THIS DRAWING IS A CONTROLLED DOCUMENT.		DWN SIMON WU 4 JUL 2016	TE Connectivity	
DIMENSIONS: mm		CHK WENKE HE 4 JUL 2016		
TOLERANCES UNLESS OTHERWISE SPECIFIED: ± 0.2		APVD WENKE HE 4 JUL 2016	NAME 1.2H SPRING FINGER	
0-PLC ± 1-PLC ±0.1 2-PLC ±0.01 3-PLC ±0.001 4-PLC ±0.0001		PRODUCT SPEC -	SIZE A2	CAGE CODE -
MATERIAL -		APPLICATION SPEC -	DRAWING NO C-2306334	RESTRICTED TO
FINISH -		WEIGHT 0.0024	SCALE 1:1	SHEET 2 OF 2
CUSTOMER DRAWING		REV A		

单击下面可查看定价，库存，交付和生命周期等信息

[>>TE Connectivity\(泰科\)](#)