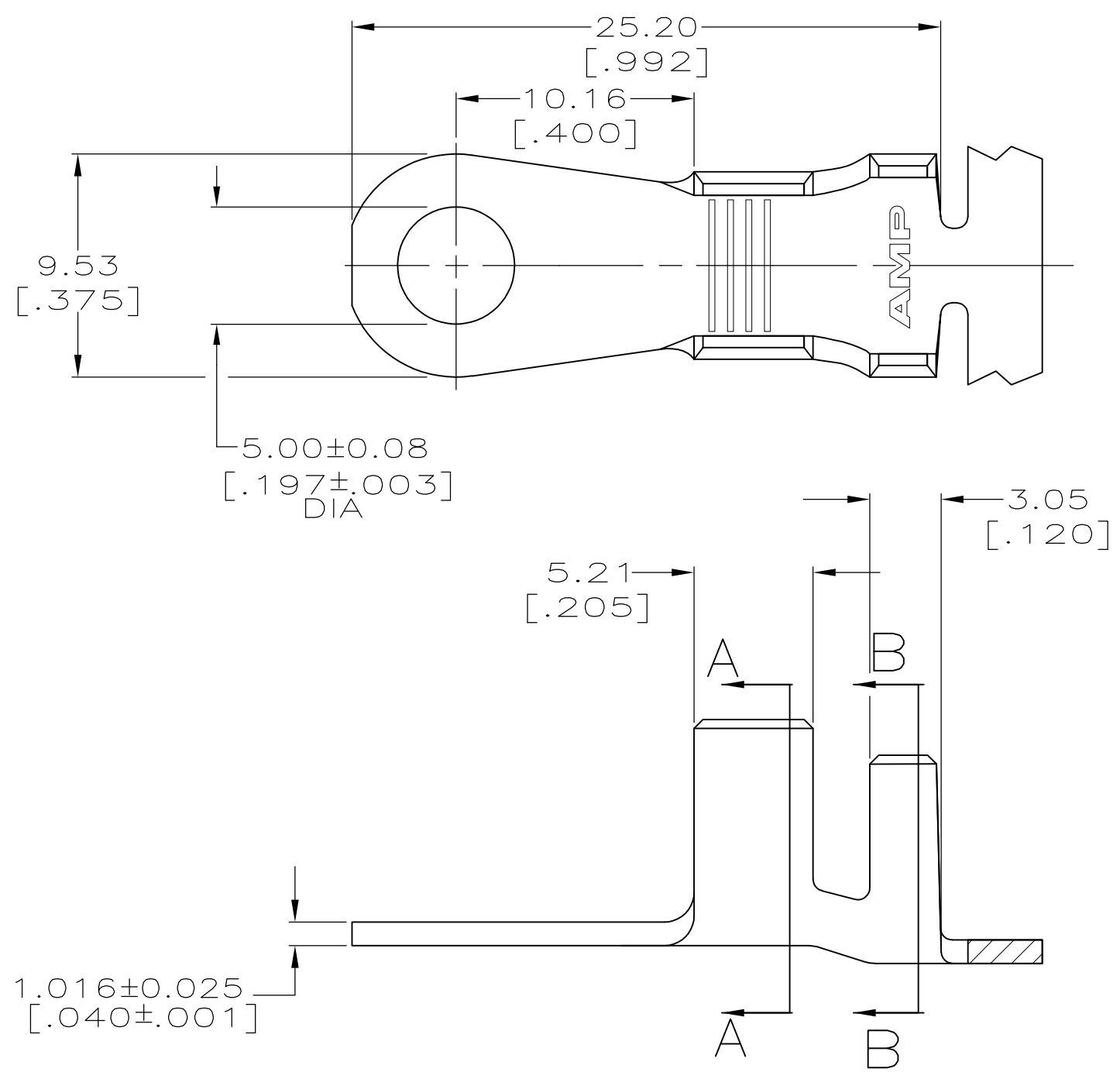
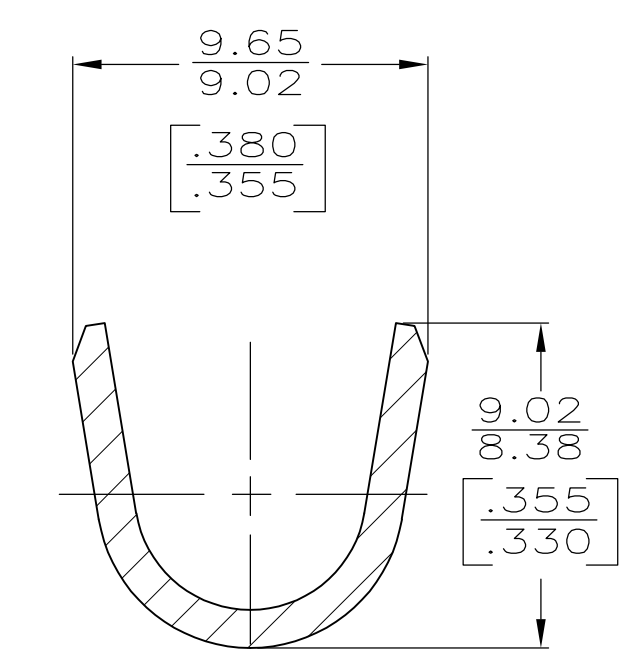
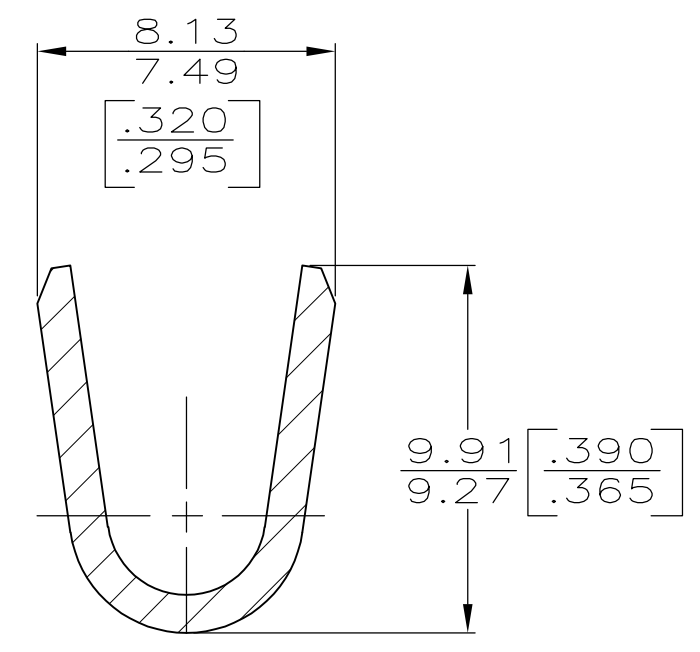


THIS DRAWING IS UNPUBLISHED. RELEASED FOR PUBLICATION  
 © COPYRIGHT BY TYCO ELECTRONICS CORPORATION. ALL INTERNATIONAL RIGHTS RESERVED.

LOC	DIST	REVISIONS			
P	LTR	DESCRIPTION	DATE	DWN	APVD
AF	50	H3	REVISED PER ECR-13-014665	17SEP13	B.P D.Z



- 1 CONTINUOUS STRIP ON REEL.
- 2 TIN PLATING.
- 3 INSULATION RANGES:  
 3.68-5.33 [.145-.210] FOR AN F TYPE CRIMP  
 5.33-7.37 [.210-.290] FOR AN O TYPE CRIMP
- 4 PRELIMINARY - NOT FOR PRODUCTION



REVERSE REELING	3	[10-6] AWG	61866-3
---			61866-1
NOTES	INSULATION RANGE	WIRE RANGE	PART NUMBER

THIS DRAWING IS A CONTROLLED DOCUMENT.		DWN 2/16/94 PHILLIP M FORTNEY	Tyco Electronics Corporation Harrisburg, PA 17105-3608	
DIMENSIONS: mm [INCHES]		CHK 2/16/94 JEFF RUTH	NAME	
TOLERANCES UNLESS OTHERWISE SPECIFIED:		APVD 2/16/94 GARY YETTER	RING TERMINAL	
0 PLC ± - 1 PLC ± - 2 PLC ± 0.25 [.010] 3 PLC ± - 4 PLC ± - ANGLES ± -		PRODUCT SPEC	SIZE	CAGE CODE
MATERIAL		APPLICATION SPEC	DRAWING NO	
082 BRASS		WEIGHT	RESTRICTED TO	
FINISH		A300779 C-61866		
2		CUSTOMER DRAWING		SCALE 4:1
		SHEET 1 OF 1		REV H3

单击下面可查看定价，库存，交付和生命周期等信息

[>>TE Connectivity\(泰科\)](#)