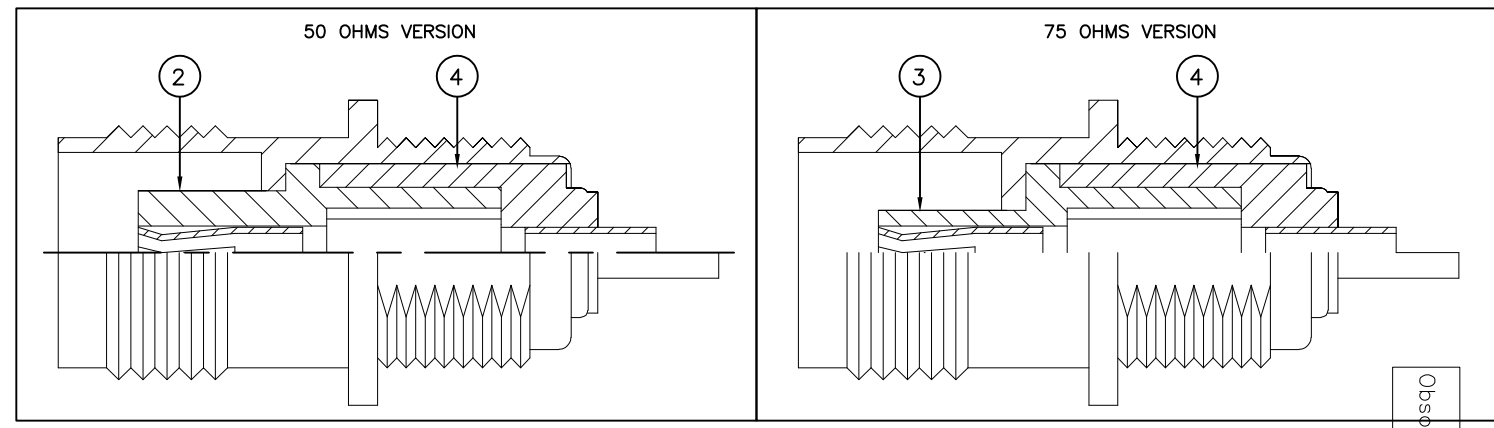
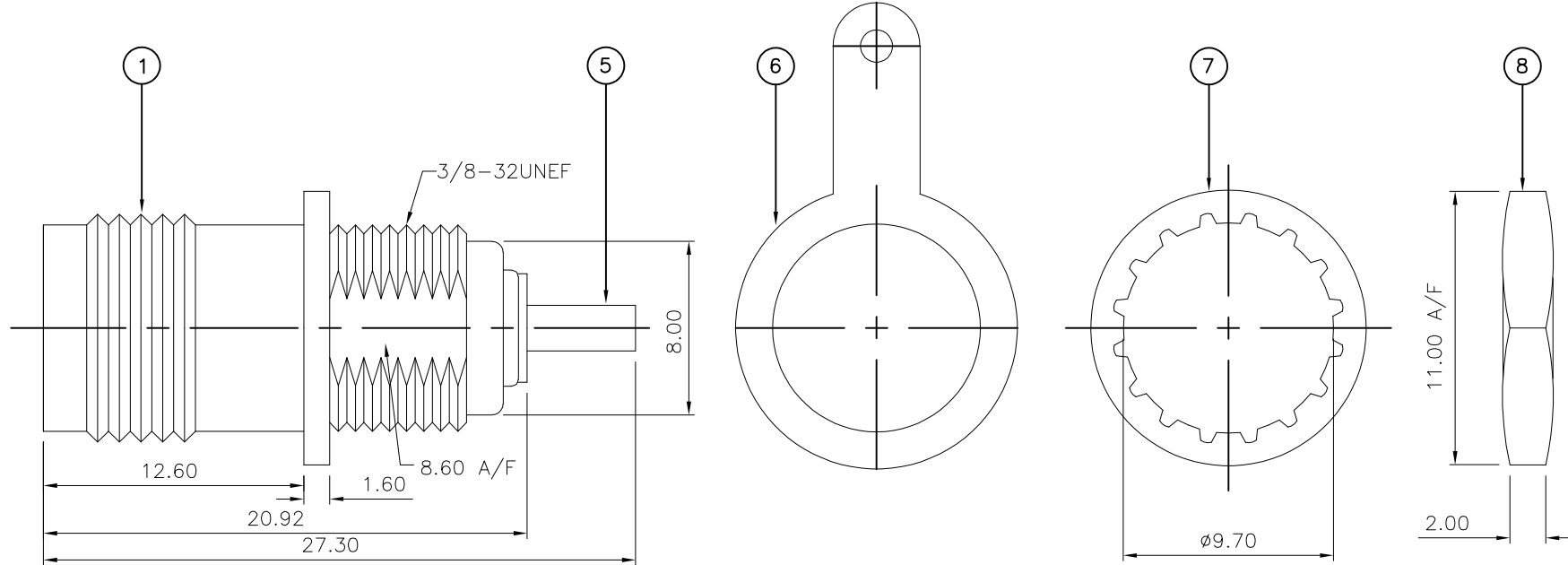


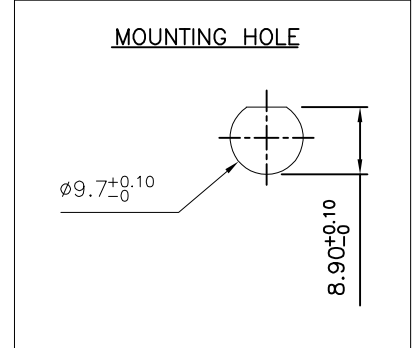
THIS DRAWING IS UNPUBLISHED. RELEASED FOR PUBLICATION AUGUST, 2006.
 © COPYRIGHT 2006 By - ALL RIGHTS RESERVED.

LOC	DIST	P	LTR	DESCRIPTION	DATE	DWN	APVD
E	B		B1	REVISED PER ECO-11-005033	01APR11	RK	HMR
			C	REVISED PER ECO-12-009395	17MAY12	TITAN	MARTIN

- NOTES:**
- 1 PACK IN ACCORDANCE WITH AMP SPEC 107-3275
 - 2 100 TRAY PACK IN ACCORDANCE WITH AMP SPEC 107-3275
 - 3 Au PLATING
 - 4 Ni PLATING
 - 5 FOR TECHNICAL DATA REFER TO YOUR LOCAL TE CONNECTIVITY SALES OFFICE
 - 6 ALL DIMENSIONS ARE NOMINAL FOR REFERENCE ONLY UNLESS OTHERWISE STATED



QTY	PLC	PLC	PLC	PLC	MATERIAL	DESCRIPTION	ITEM
1	1	1	1	1	STEEL	HEXAGONAL NUT	8
1	1	1	1	1	STEEL	LOCKWASHER	7
1	1	1	1	1	BRASS	SOLDER TAG	6
1	1	1	1	1	PHOSPHOR BRONZE	CONTACT	5
1	1	1	1	1	PTFE	INSULATION	4
1	1	-	-	-	PTFE	INSULATION	3
-	-	1	1	1	PTFE	INSULATION	2
1	1	1	1	1	ZINC	BODY	1
5--3	5--2	5--1	5--0				
1	1	1	1				



THIS DRAWING IS A CONTROLLED DOCUMENT.		DWN RITA ZUO 11 Mar 09	TE Connectivity TNC BULKHEAD SOCKET FRONT MOUNT 50 & 75 OHM	
DIMENSIONS: mm		CHK ANSON MA 11 Mar 09		
TOLERANCES UNLESS OTHERWISE SPECIFIED:		APVD BOB ZHAO 11 Mar 09		
0 PLC ± - 1 PLC ± - 2 PLC ± - 3 PLC ± - 4 PLC ± - ANGLES ± - MATERIAL SEE TABLE FINISH -		NAME		
MATERIAL SEE TABLE		PRODUCT SPEC 108-112000	RESTRICTED TO	
		APPLICATION SPEC -	SIZE A3	CAGE CODE 00779
		WEIGHT -	DRAWING NO C-1814804	REV C
		CUSTOMER DRAWING	SCALE NTS	SHEET 1 OF 1

单击下面可查看定价，库存，交付和生命周期等信息

[>>TE Connectivity\(泰科\)](#)