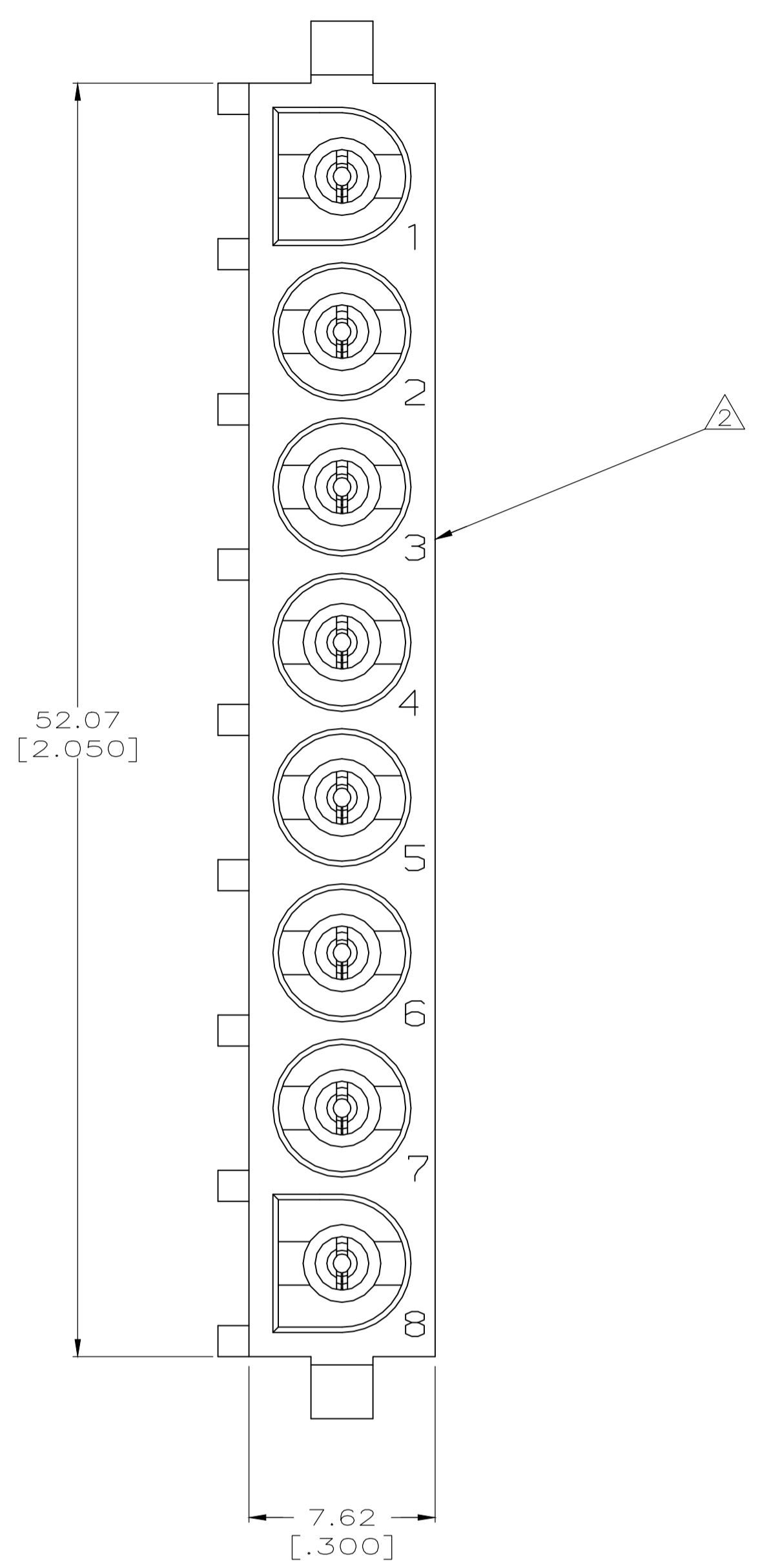
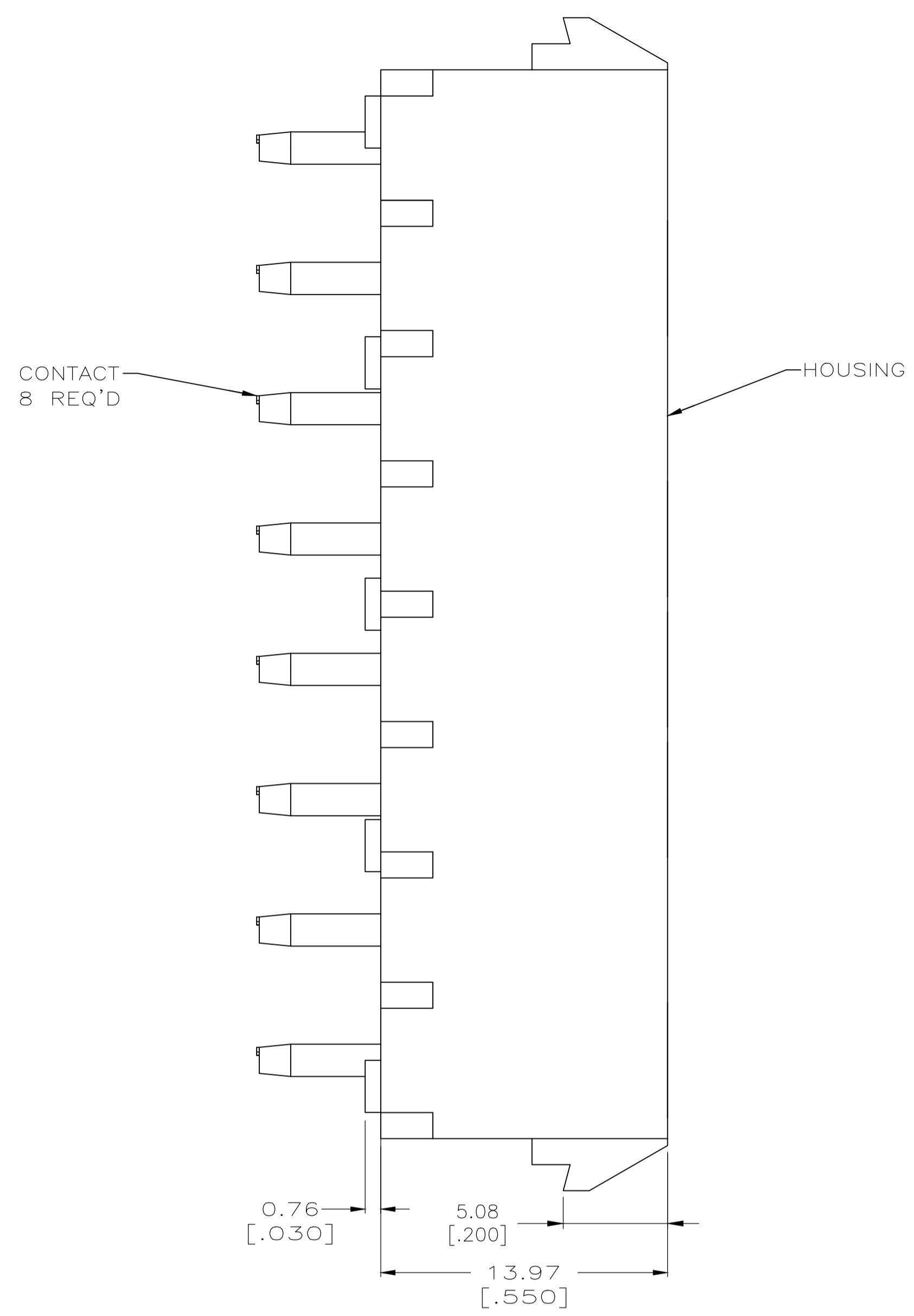
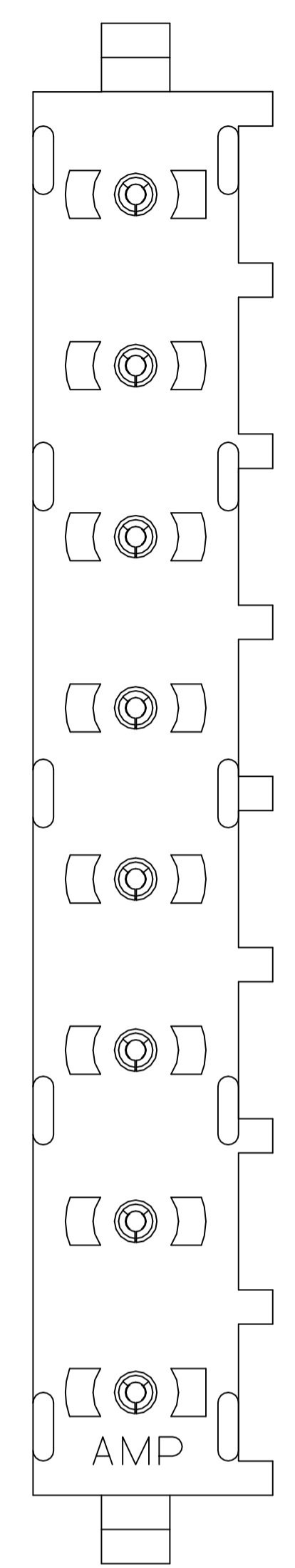
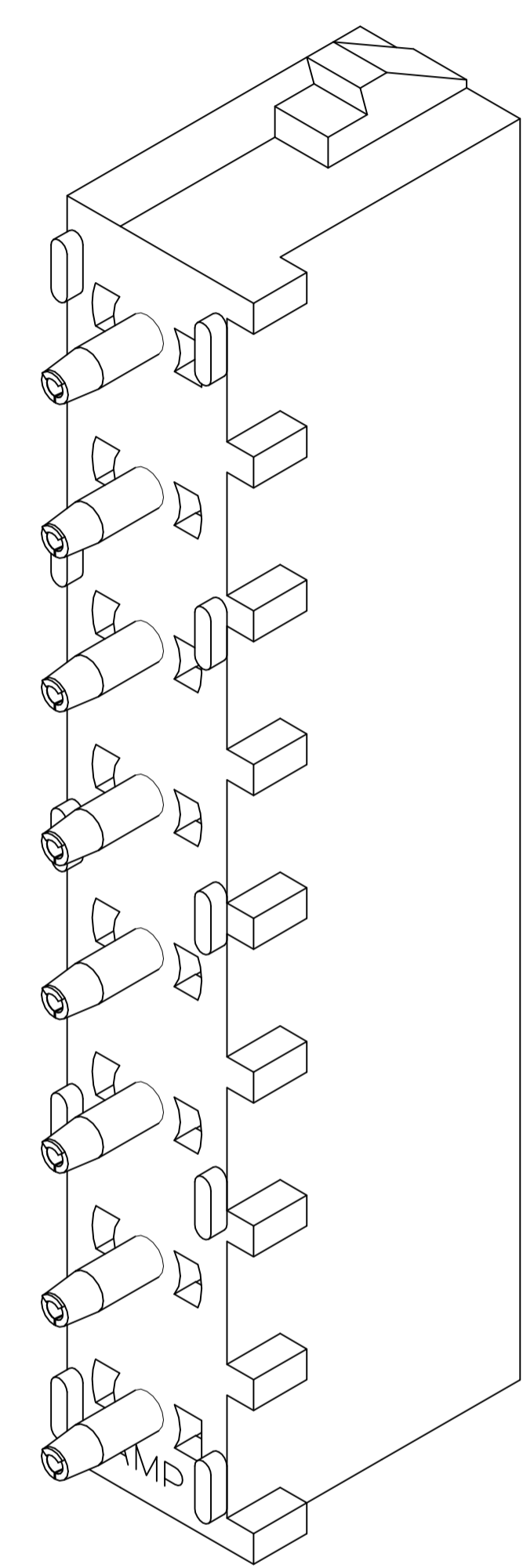


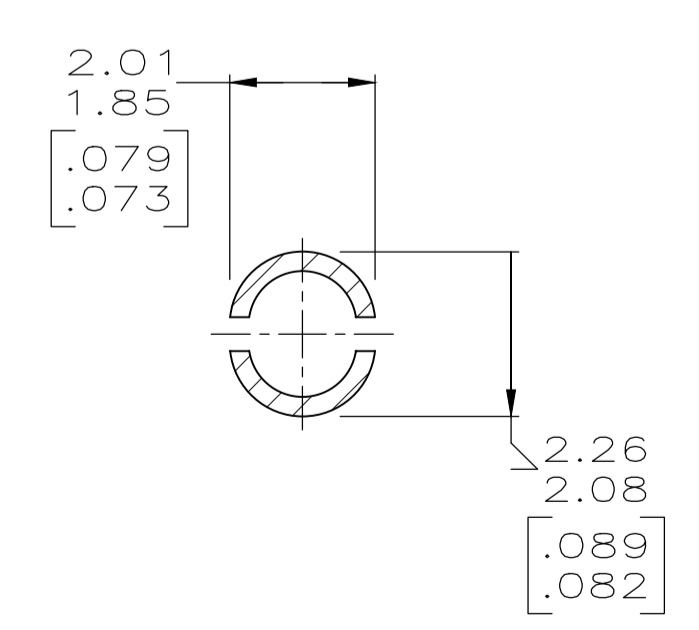
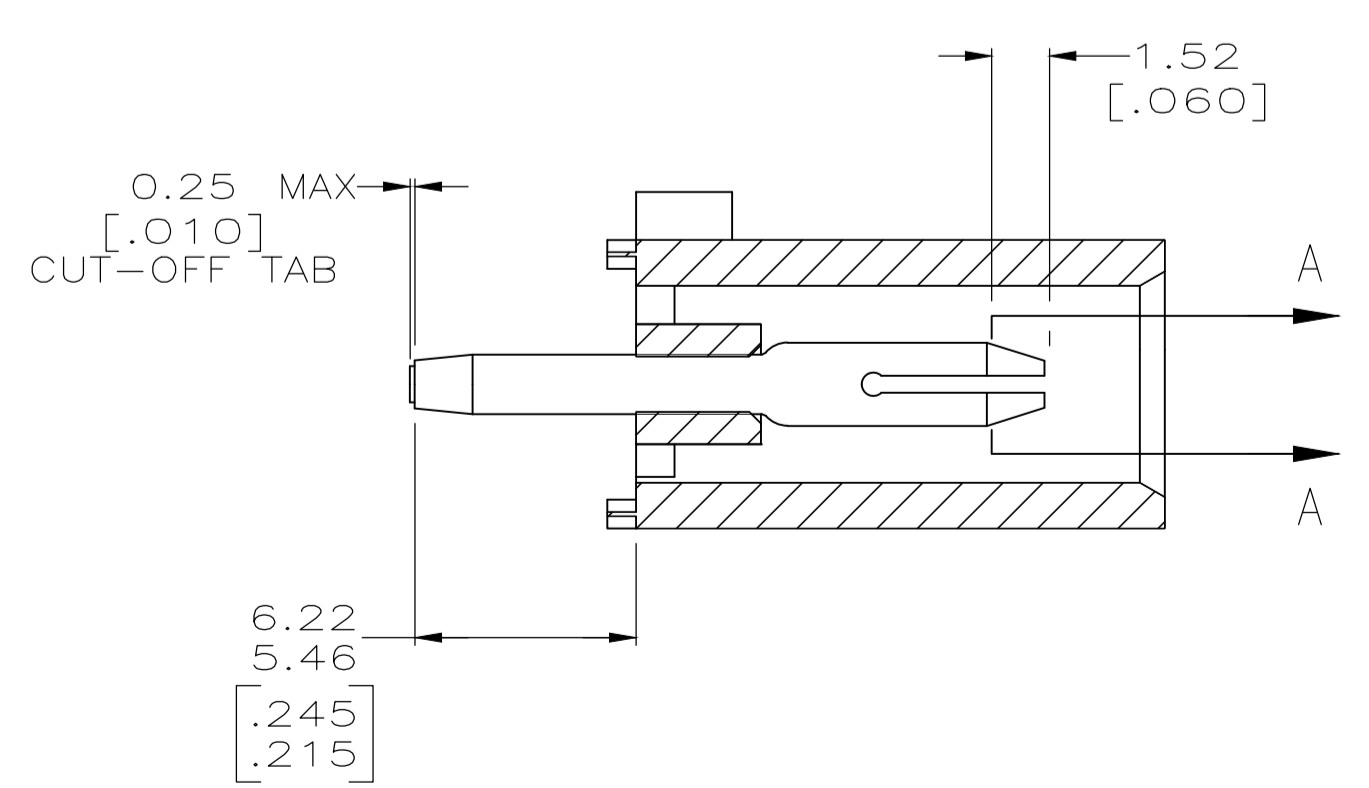
LOC	DIST	REVISIONS			
P	LTR	DESCRIPTION	DATE	DWN	APVD
CM	53	D1	REVISED PER ECR-20-100462	21SEP2020	BDA SW



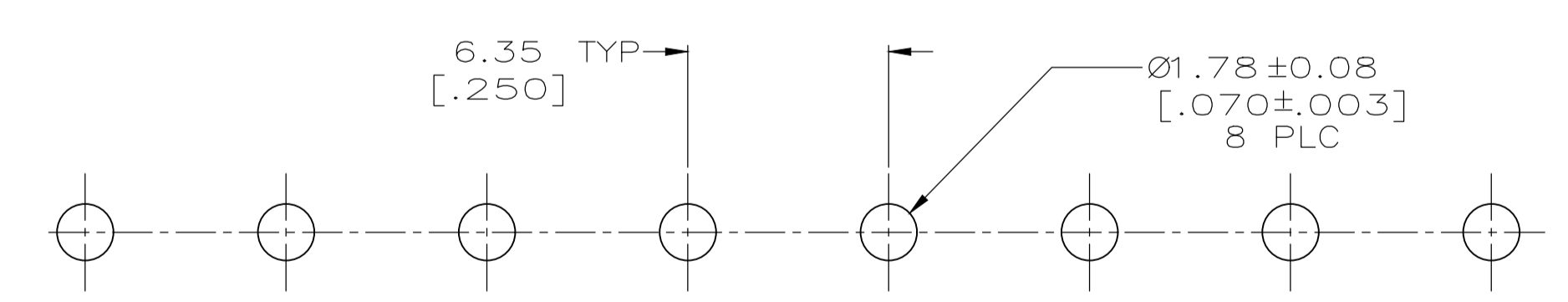
- PARTS COMPLY TO AMP SOLDERABILITY SPECIFICATION 109-11-3.
- CIRCUIT IDENTIFICATION CHARACTERS ARE ADJACENT TO THE INDICATED CAVITIES, BUT LOCATION AND ORIENTATION MAY DIFFER FROM PRINT.
- DIMENSIONS IN BRACKETS ARE IN INCHES.



3-DIMENSIONAL MODEL NTS



SECTION A-A SCALE 10:1



RECOMMENDED MOUNTING HOLE PATTERN FOR 3.18 [.125] THICK P.C. BOARD

PHOSPHOR BRONZE, PRE-TIN	NYLON, UL94V-2, NATURAL	770143-1
PIN CONTACT MATERIAL AND FINISH	HOUSING MATERIAL	PART NO
THIS DRAWING IS A CONTROLLED DOCUMENT.		
DIMENSIONS: mm [INCHES] TOLERANCES UNLESS OTHERWISE SPECIFIED: 0 PLC ± 1 PLC ± 2 PLC ±0.13 [.005] 3 PLC ± 4 PLC ± ANGLES 40° 30' FINISH SEE TABLE		
DWG: B. LEWIS 10-05-98 CHK: R. SWING 10-05-98 APVD: M. TRULL 10-05-98 NAME: PIN HEADER ASSEMBLY, 8 CIRCUIT UNIVERSAL MATE-N-LOK™ PRODUCT SPEC: [0.005] APPLICATION SPEC: [0.005] SIZE: A1 CASE CODE: 00779 DRAWING NO: 770143 WEIGHT: - SCALE: 5:1 SHEET 1 OF 1 REV: D1		CUSTOMER DRAWING

单击下面可查看定价，库存，交付和生命周期等信息

[>>TE Connectivity\(泰科\)](#)