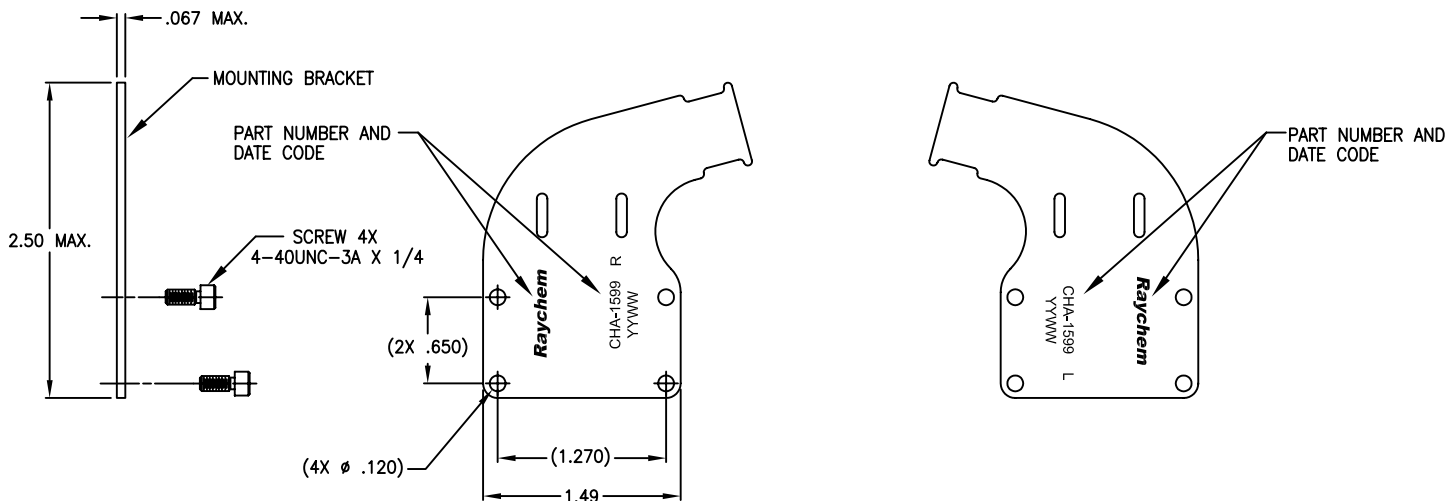




TYCO ELECTRONICS RESERVES THE RIGHT TO AMEND THIS DRAWING AT ANY TIME. USERS SHOULD EVALUATE THE SUITABILITY OF THE PRODUCT FOR THEIR APPLICATION.

REVISIONS

LTR	DESCRIPTION	DATE	APPROVED
A	INITIAL RELEASE PER DCR# C060225	May/1/06	M.HIGGY



NOTE:

- THIS CABLE BRACKET IS DESIGNED FOR USE ON TYCO/RAYCHEM CONNECTOR HOUSINGS MTCTQ-YH1-X22. (SEE SHELL SPECIFICATION CONTROL DRAWINGS FOR FURTHER DETAILS).
- MATERIAL:
 CABLE BRACKET ALUMINUM ALLOY 5052-H32 PER SAE AMS-QQ-A-250
 SCREWS (4) SOCKET HEAD CAP SCREWS, CRES ALLOY A-286 PER SAE AMS 5737, PATCH LOCKING ELEMENT PER MIL-DTL-18240F, TYPE P
- FINISH:
 CABLE BRACKET ELECTROLESS NICKEL PER SAE-AMS-2404, CLASS 1
 SCREWS: PASSIVATION PER AMS 2700B TYPE II, METHOD I
- PART NUMBER, RAYCHEM AND DATE CODE ARE MARKED APPROXIMATELY AS SHOWN.

If this document is printed it becomes uncontrolled.
 Check for the latest revision.

SPECIFICATION CONTROL DRAWING

© 2006 Tyco Electronics Corporation. All rights reserved.

UNLESS OTHERWISE SPECIFIED DIMENSIONS ARE IN INCHES. METRIC DIMENSIONS ARE IN BRACKETS. DECIMALS .XXX ± 0.005 [0.13 mm] .XX ± 0.01 [0.25 mm] .X ± 0.1 [0.50 mm] ANGLES .X ± 0.5 DEG	DRAWN	T RATZLAFF	28APRIL2006		Tyco Electronics Corporation 300 Constitution Drive Menlo Park, CA. 94025 U.S.A.	
	CHECKED	ZS.DRBA	28APRIL2006			
	APPROVED	M.HIGGY	28APRIL2006	TITLE CABLE BRACKET ASSEMBLY, RIGHT AND LEFT ANGLE APPLICATION MTCT-SERIES		
	REVISED					
	CAD NAME: C060225.DWG			SIZE	CODE IDENT. NO.	DWG. NO.
THIRD ANGLE PROJECTION			A	06090	CHA-1599	A
DO NOT SCALE THIS DRAWING					SHEET 1 OF 1	



单击下面可查看定价，库存，交付和生命周期等信息

[>>TE Connectivity\(泰科\)](#)