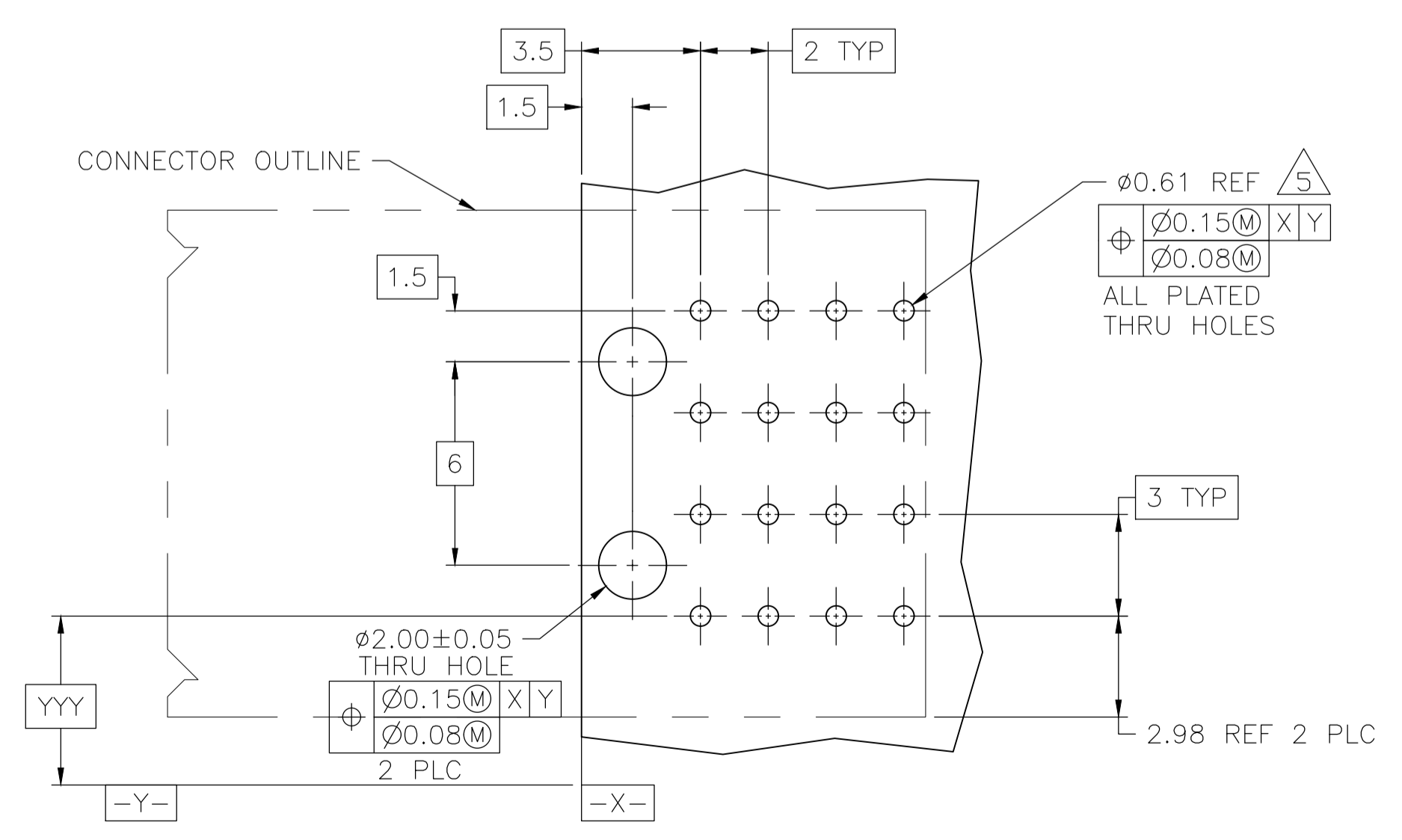
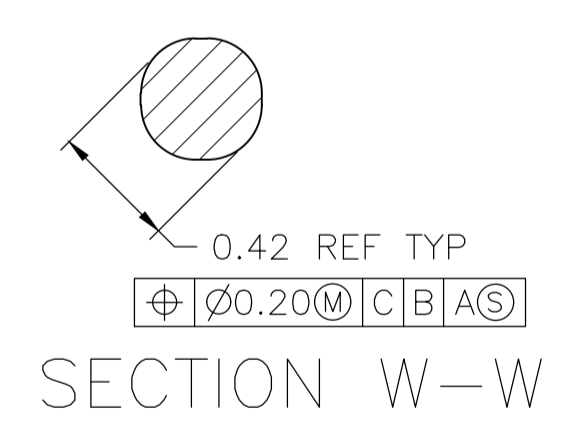
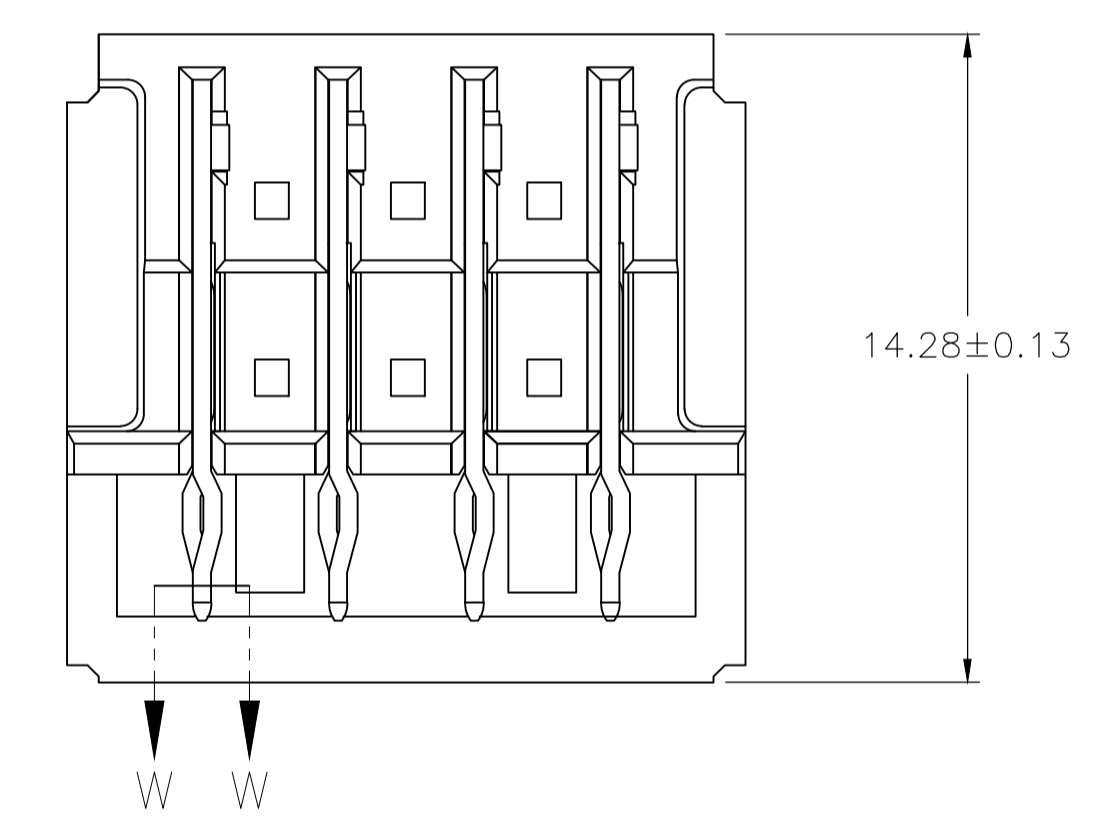
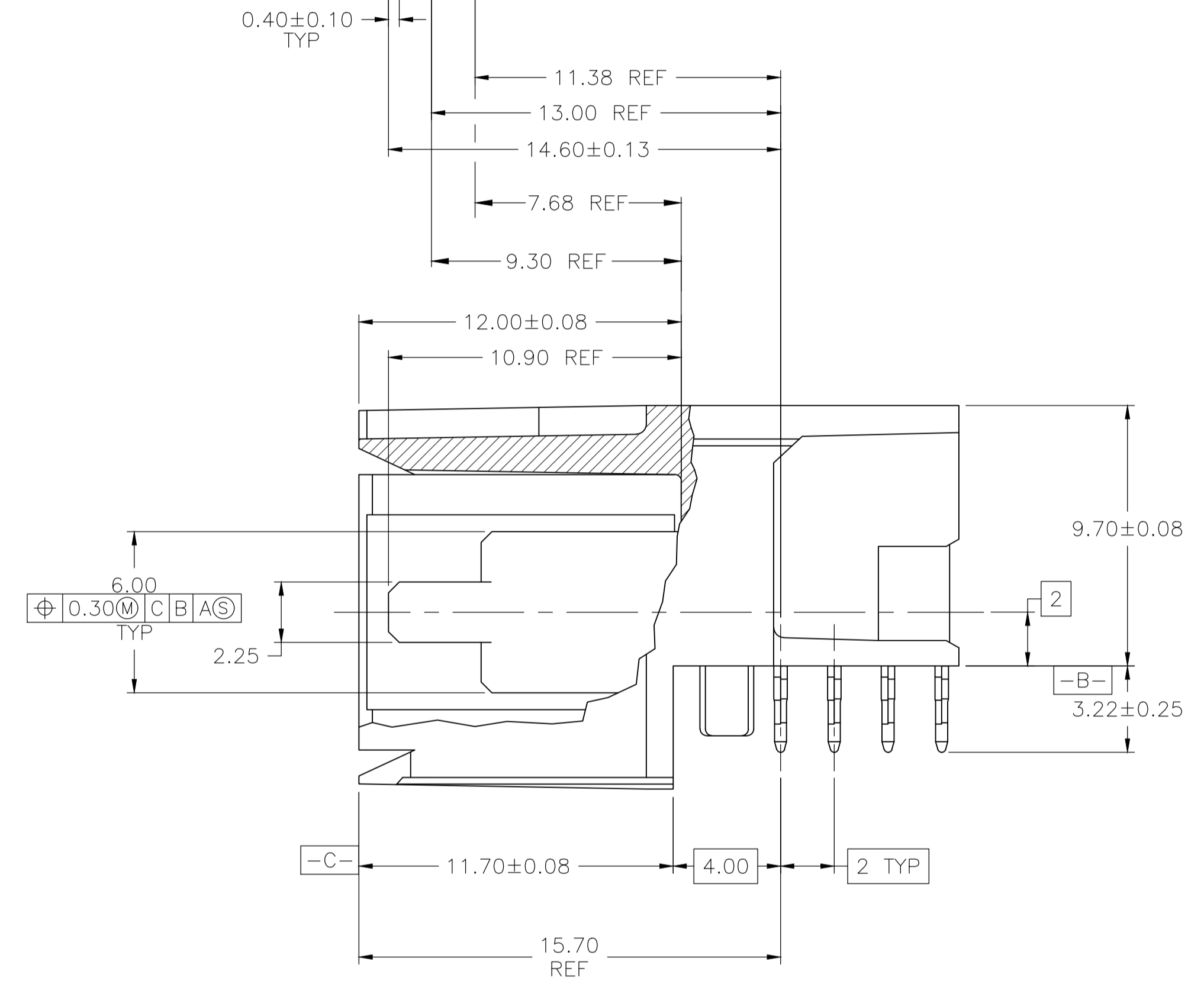
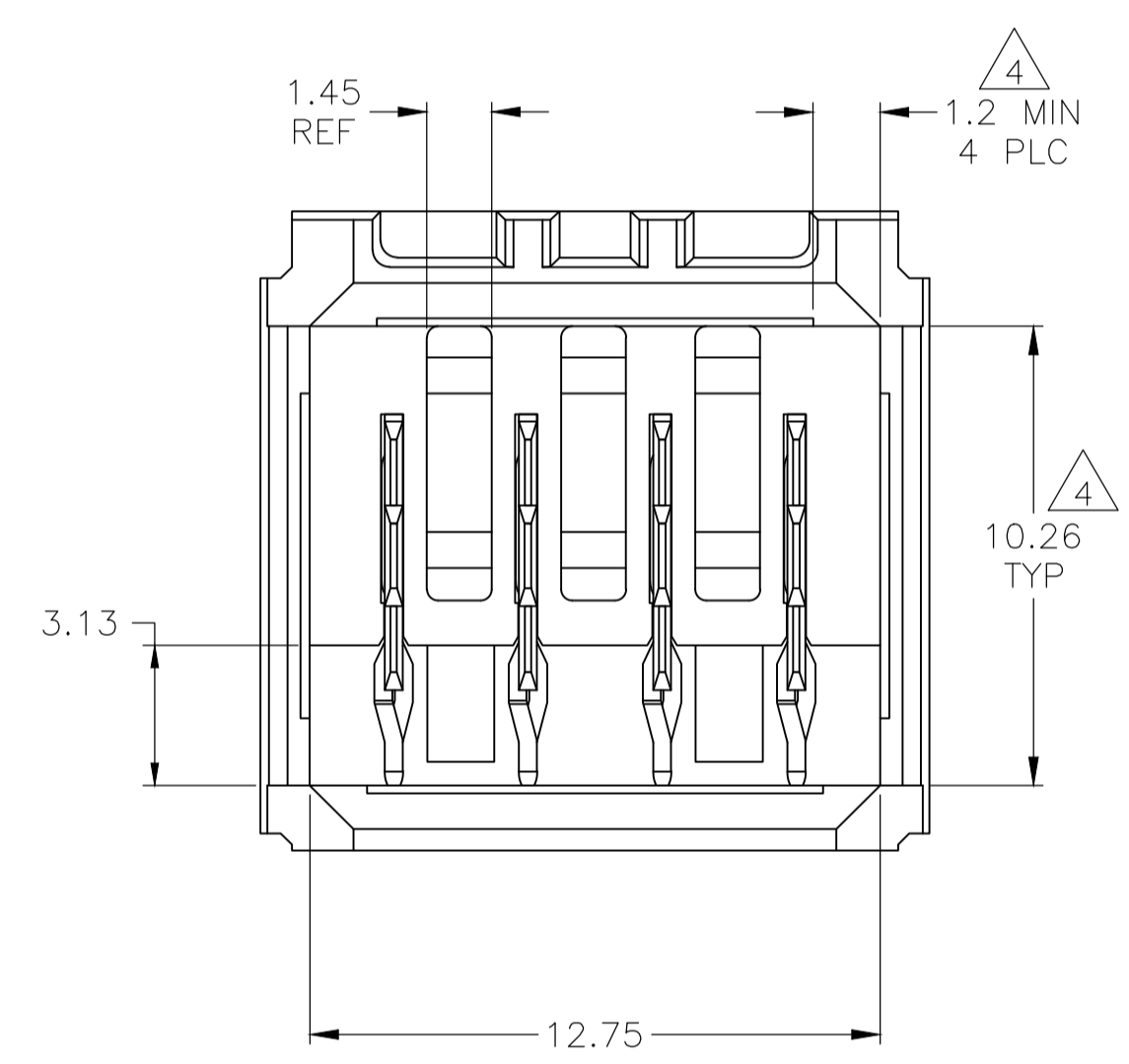


- 1 MATERIAL: HOUSING: POLYESTER, GRAY. UL 94V-0. CONTACT: HIGH CURRENT COPPER ALLOY.
- 2 FINISH: IN ACCORDANCE WITH PRODUCT SPECIFICATION 108-1651, GOLD PLATING OR EQUIVALENT PLATING ON PRODUCT CONTACT MATING AREA, AND MATTE TIN PLATING ON COMPLIANT PIN AREA, ALL OVER MATTE NICKEL UNDERPLATED. DETAIL PLEASE REFER TO PRODUCT SPECIFICATION 108-1651.
- 3 FINISH: CONTACT LUBRICATION WITH BELLCORE APPROVED LUBRICANT. TECHNICAL REFERENCE: TR-NWT-001217 ISSUE 1, SEPT 1992.
- 4 THE 10.26±0.13 DIMENSION APPLIES IN THIS AREA.
- 5 REFERENCE APPLICATION SPEC 114-1103 FOR RECOMMENDED PLATED THRU HOLE DIAMETER AND PLATING THICKNESSES.
- 6. CURRENT RATING 16A/CONTACT PER PRODUCT SPEC 108-1651.



	C,D	A,B	4	120954-6
A,B	C,D	-	4	120954-5
A,D	-	B,C	4	120954-4
-	A,D	B,C	4	120954-3
A	B	C,D	4	120954-2
A,B,C,D	-	-	4	120954-1
POSITIONS LOADED WITH 10.90 REF CONTACTS	POSITIONS LOADED WITH 9.30 REF CONTACTS	POSITIONS LOADED WITH 7.68 REF CONTACTS	NO OF LOADED POSITIONS	PART NUMBER

THIS DRAWING IS A CONTROLLED DOCUMENT.

DIMENSIONS: mm	TOLERANCES UNLESS OTHERWISE SPECIFIED:	DIN B CARBO 080CT04	080CT04	Tyco Electronics Corporation
0 PLC ± -	1 PLC ± -	080CT04	080CT04	Harrisburg, PA 17105-3608
2 PLC ± ± 0.13	3 PLC ± ± -	080CT04	080CT04	ASSEMBLY, RIGHT ANGLE HEADER HC W/ RETENTION PEGS, UNIVERSAL POWER MODULE
4 PLC ± ± -	ANGLES ± ± -	080CT04	080CT04	108-1651
MATERIAL	FINISH	SIZE	CAGE CODE	DRAWING NO
1	2 3	A1	00779	120954
CUSTOMER DRAWING		SCALE	SHEET	REV
		6:1	1 of 1	F1

单击下面可查看定价，库存，交付和生命周期等信息

[>>TE Connectivity\(泰科\)](#)