

4

3

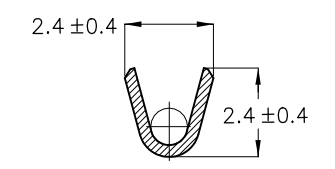
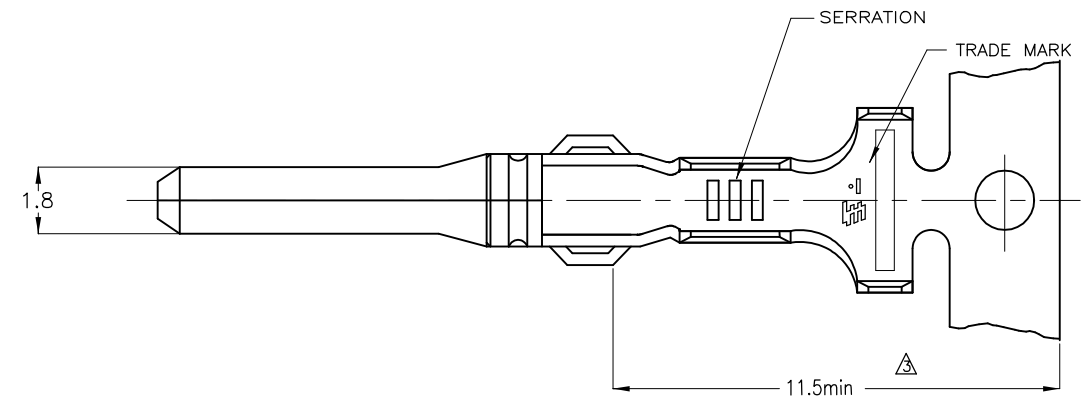
2

1

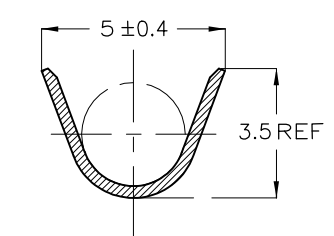
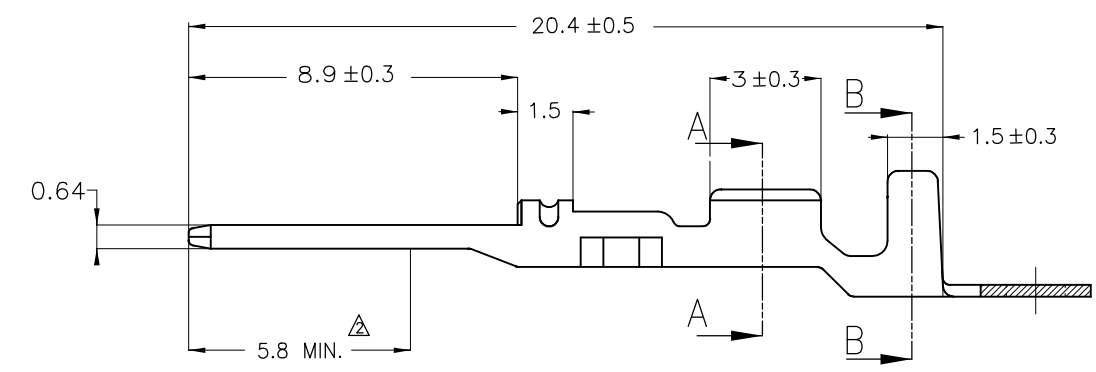
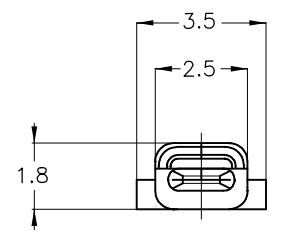
©

REVISIONS

P	LTR	DESCRIPTION	DATE	DWN	APVD
	A2	RELEASED (ECR-19-011725)	25.JUL.'19	JW	YG



A-A



B-B

NOTE
 1 RECEPTACLE CONTACT : 171630
 △ SELECTIVE GOLD PLATING
 ⊕ SELECTIVE TIN PLATING

SELECTIVE GOLD & TIN △△	BRASS 0.32	1897641-4
PRE-TIN (0.76 μm MIN)		1897641-1
FINISH	MATERIAL	PART NO

WIRE RANGE PTFE 0.5~0.75MM ² (AWG #20)	INSULATION DIA 1.4 ~ 1.9
---	-----------------------------

THIS DRAWING IS A CONTROLLED DOCUMENT.		DWN YM LEE	STE TE Connectivity		
DIMENSIONS:		CHK YM CHOI			
	TOLERANCES UNLESS OTHERWISE SPECIFIED: 0 PLC ± 1 PLC ± 2 PLC ± 3 PLC ± 4 PLC ± ANGLES ±	APVD HG CHO	NAME ECONOSEAL J-MARKII+ CONNECTOR TAB CONTACT		
		MATERIAL SEE TABLE	FINISH SEE TABLE	PRODUCT SPEC 108-61110	SIZE A3
		APPLICATION SPEC 114-61018	DRAWING NO 1897641	RESTRICTED TO -	
		WEIGHT 0.35 g	SCALE 5/1	SHEET 1	OF 1
		CUSTOMER DRAWING	REV A2		

单击下面可查看定价，库存，交付和生命周期等信息

[>>TE Connectivity\(泰科\)](#)