

4

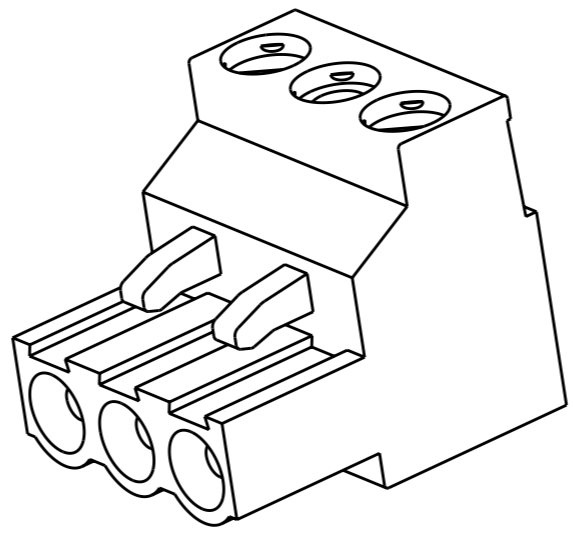
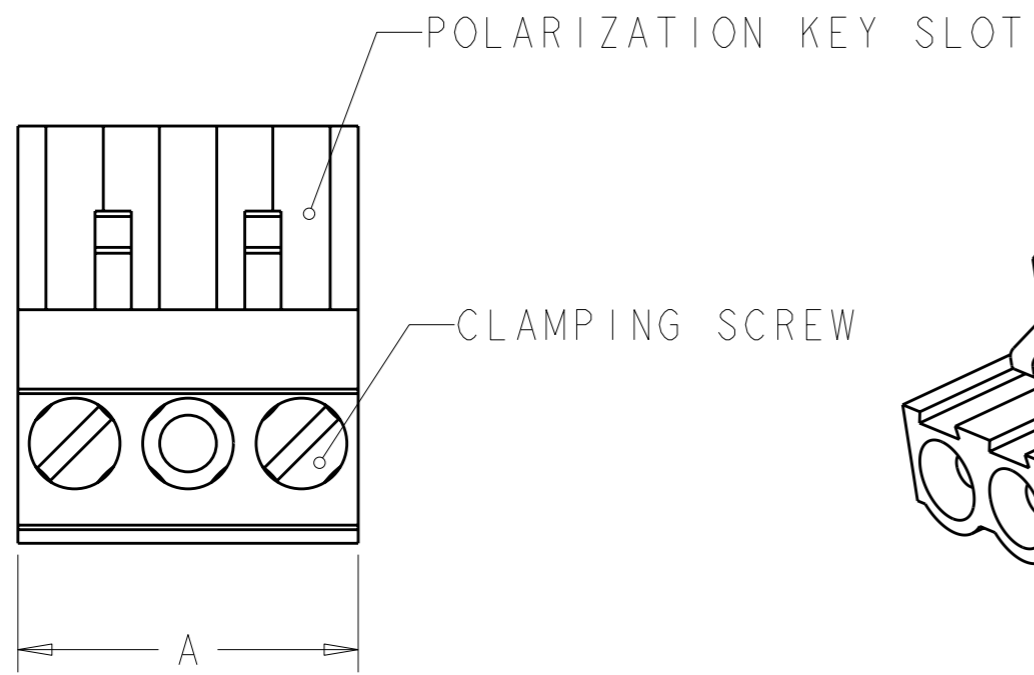
3

2

1

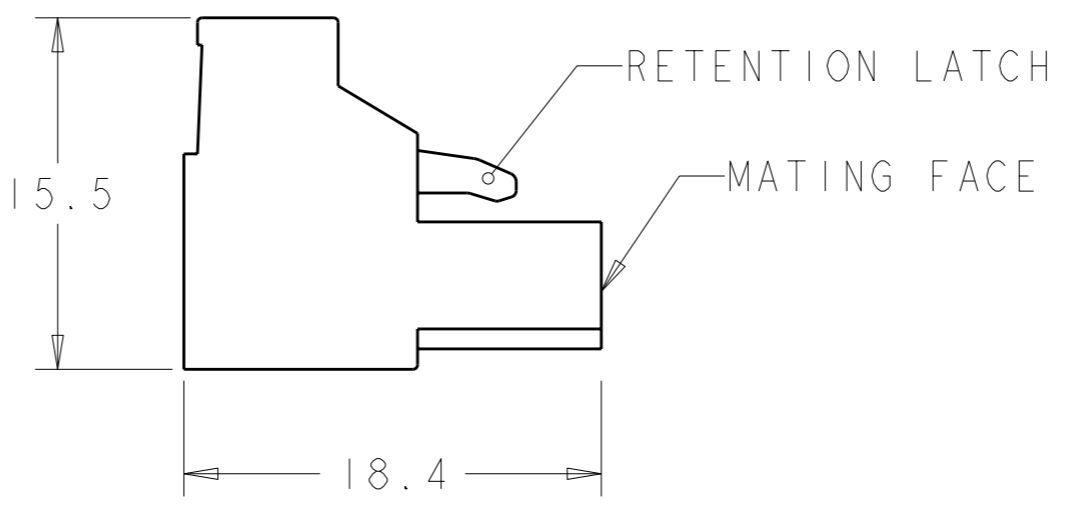
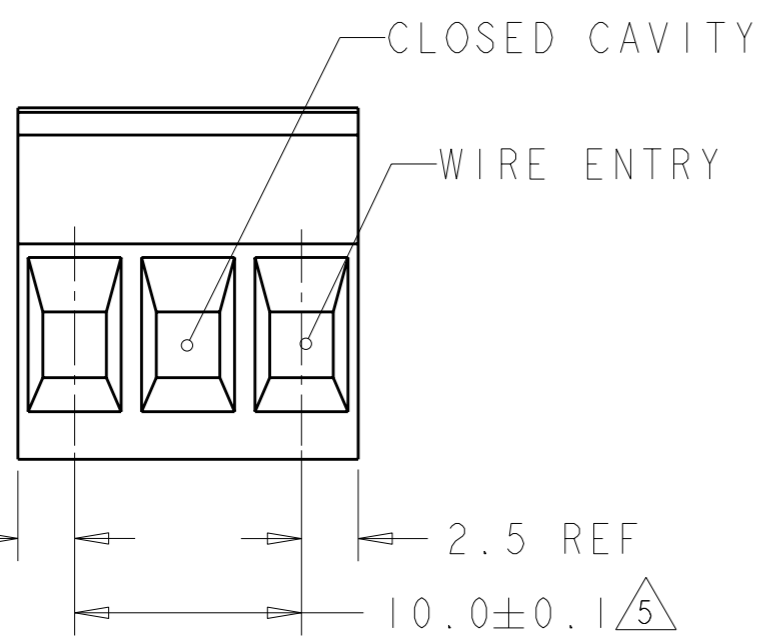
THIS DRAWING IS UNPUBLISHED. RELEASED FOR PUBLICATION 20
 © COPYRIGHT 20 ALL RIGHTS RESERVED.

LOC	DIST	REVISIONS			
P	LTR	DESCRIPTION	DATE	DWN	APVD
		C2	REVISED PER ECO-11-021326	04NOV2011	KH MS

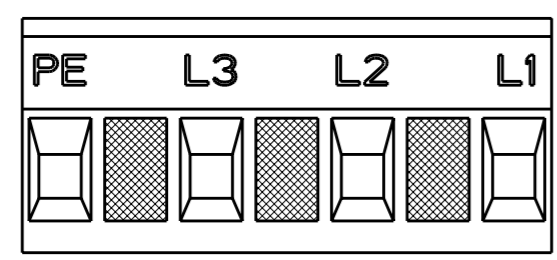


282808-2 AS SHOWN

- 1 MATERIALS AND FINISH
 HOUSING: PA 6-6, UL 94-V0, COLOR GREEN.
 CLAMP: BRASS, NICKEL PLATED.
 DOUBLE SIDE CONTACT SPRING: PHOSPHOR BRONZE, TIN PLATED.
 CLAMPING SCREW: M3, BRASS, NICKEL PLATED.
- 2 WIRE SIZE RANGE
 SOLID WIRE: 0,03-2,5mm² (13AWG).
 STRANDED WIRE: 0,03-1,5mm² (15AWG).
- 3 RECOGNIZED UNDER THE COMPONENT PROGRAM OF
 UNDERWRITERS LABORATORIES INC., FILE^o E60677.
- 4 IMQ CERTIFICATE WITH SURVEILLANCE IN
 CONFORMITY WITH IEC 998-1/998-2-1.
- 5 NOT CUMULATIVE TOLERANCE.
- 6 PERMANENT MARKING, COLOR BLACK.



DIM. A	NO OF POS.	PART NUMBER
35	4	1-282808-4
125	13	1-282808-3
115	12	1-282808-2
105	11	1-282808-1
95	10	1-282808-0
85	9	282808-9
75	8	282808-8
65	7	282808-7
55	6	282808-6
45	5	282808-5
35	4	282808-4
25	3	282808-3
15	2	282808-2



SCALE 2:1
 1-282808-4 AS SHOWN

THIS DRAWING IS A CONTROLLED DOCUMENT.		DWN E. ZANOLINI 23JUL2001		TE Connectivity	
DIMENSIONS: mm		CHK D. BIEVENOUR 23JUL2001			
TOLERANCES UNLESS OTHERWISE SPECIFIED:		APVD D. BIEVENOUR 23JUL2001		NAME	
0 PLC ±-		PRODUCT SPEC 108-20166		TERMINAL BLOCK PLUG	
1 PLC ±0.2		APPLICATION SPEC 114-20079		10mm PITCH	
2 PLC ±0.25		WEIGHT -		SIZE A3	
3 PLC ±-		CUSTOMER DRAWING		CAGE CODE 00779	
4 PLC ±-		SCALE 3:1		DRAWING NO C-282808	
ANGLES ±2		SHEET 1 OF 1		RESTRICTED TO -	
FINISH		REV C2			

单击下面可查看定价，库存，交付和生命周期等信息

[>>TE Connectivity\(泰科\)](#)