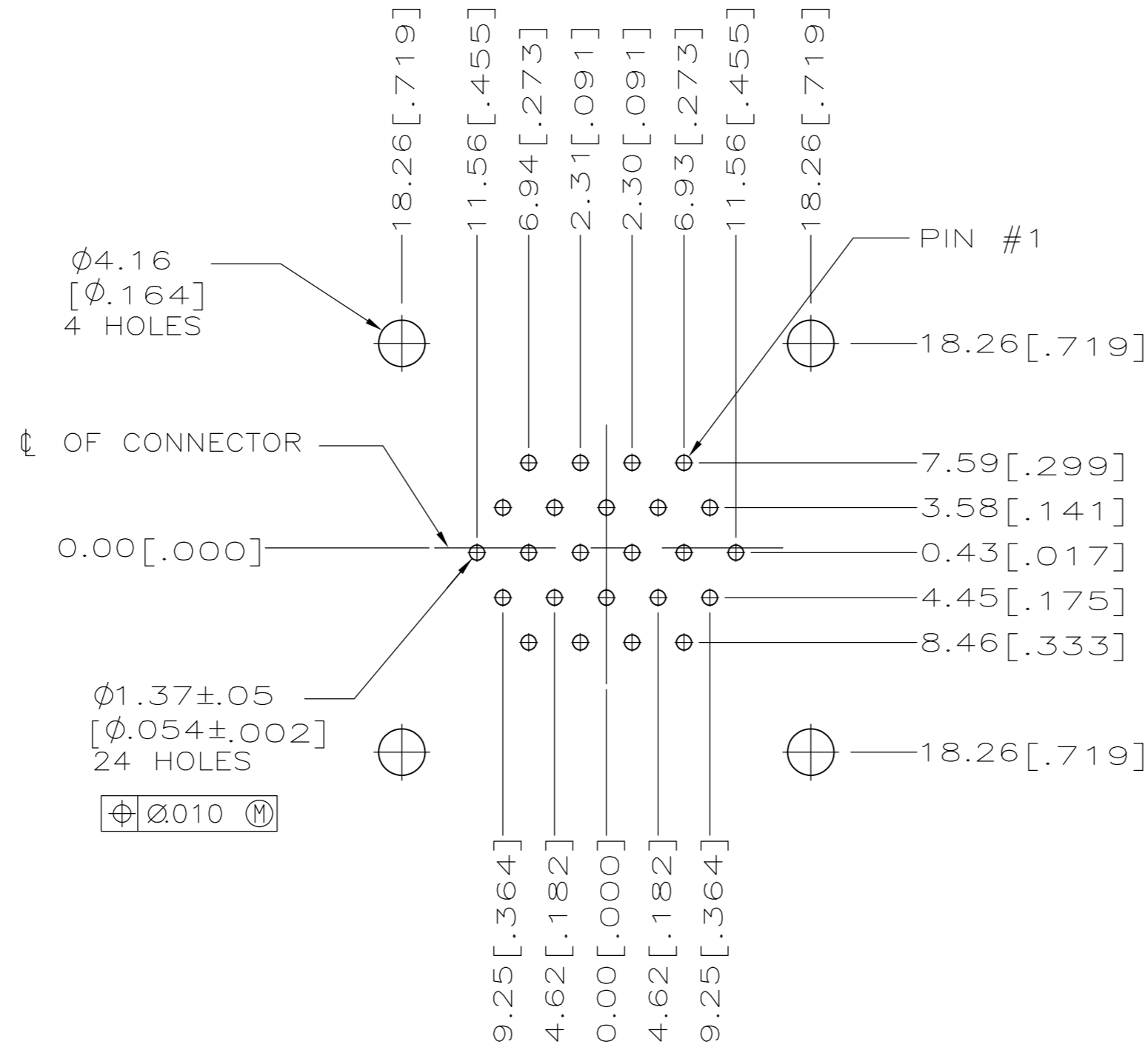




THIS DRAWING IS UNPUBLISHED. RELEASED FOR PUBLICATION  
 © COPYRIGHT - By - ALL RIGHTS RESERVED.

LOC		DIST		REVISIONS			
BD	0	P	LTR	DESCRIPTION	DATE	DWN	APVD
		-		SEE SHEET 1	-	-	-



RECOMMENDED P.C. BOARD LAYOUT

THIS DRAWING IS A CONTROLLED DOCUMENT.		DWN	2-23-90		<b>TE</b> TE Connectivity
DIMENSIONS: mm [INCHES]		CHK	C DORWART		
TOLERANCES UNLESS OTHERWISE SPECIFIED:		APVD	-		NAME RECEPTACLE ASSEMBLY, 23-24, STANDARD SEX, POSTED CONTACTS, CPC
0 PLC ± - 1 PLC ± - 2 PLC ± 0.13 [.005] 3 PLC ± - 4 PLC ± - ANGLES ± -		PRODUCT SPEC	-		
MATERIAL INSERT AND PIN: BRASS		FINISH	-		SIZE A2
		WEIGHT	-		CAGE CODE 00779
		CUSTOMER DRAWING			DRAWING NO C=213588
		SCALE	2:1		SHEET 2 OF 2
		REV	C		RESTRICTED TO -

单击下面可查看定价，库存，交付和生命周期等信息

[>>TE Connectivity\(泰科\)](#)