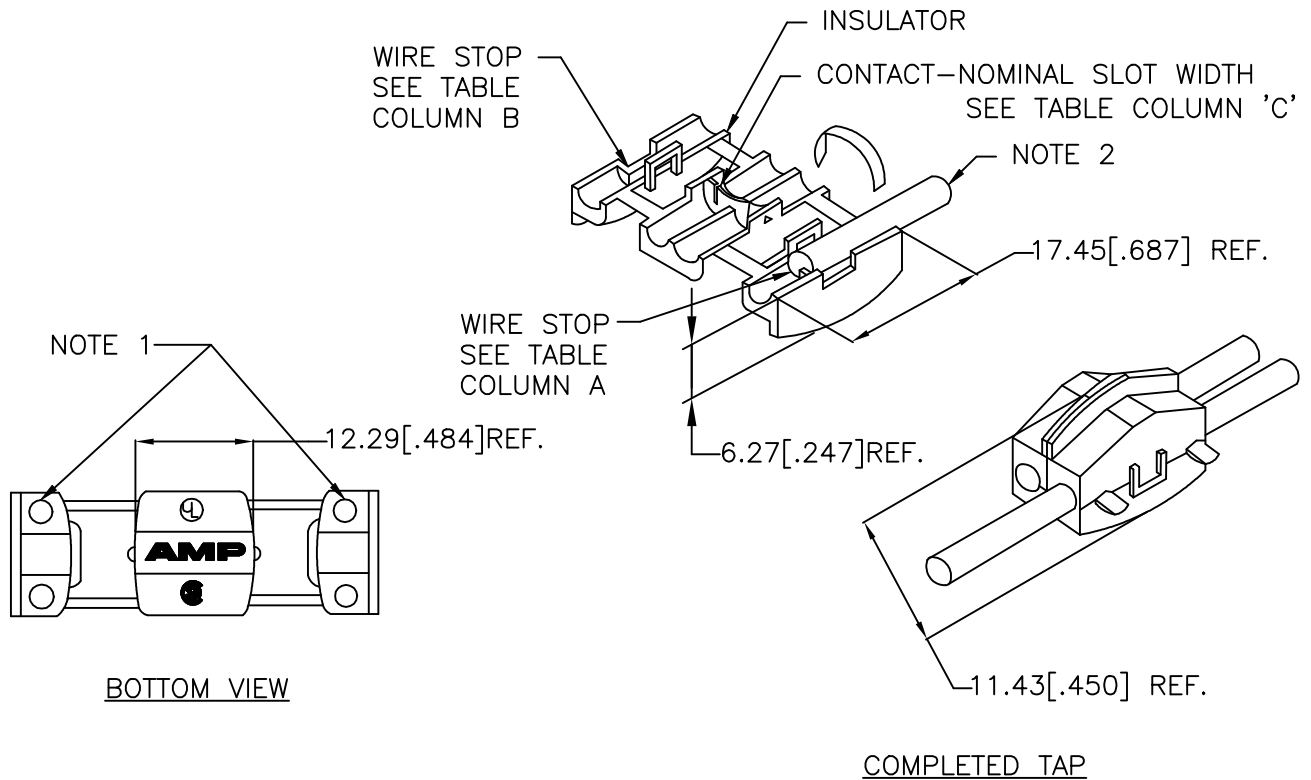



REVISIONS					
P	LTR	DESCRIPTION	DATE	DWN	APVD
	M1	REVISED PER ECO-17-016703	09APR2018	RS	DR

1. DOTTED CIRCLES SHOW APPROX. LOCATION OF WIRE RANGE IDENTIFIERS.
2. 4.06[.160] MAX: INSULATION DIA.
3. UL AND CSA LOGOS TO APPEAR ON HOUSING AS SHOWN
4. NOTE DELETED
5. 100 PIECES IN A BOX
6. 5 PIECES IN A PRINTED POLY BAG WITH PEG HOLE.



LOOSE PIECE	1000	0.51[.020]	NO	YES	RED	0.5-0.8	[20-18]	53440-2
LOOSE PIECE	1000	0.71[.028]	NO	YES	BLUE	0.8-2	[18-14]	53440-1
PACKAGE TYPE	QTY	C	B	A	COLOR	mm ² WIRE SIZE	AWG	PART NO

THIS DRAWING IS UNPUBLISHED. ALL RIGHTS RESERVED. © COPYRIGHT - TE Connectivity Ltd.

DIMENSIONS: mm [INCHES]	DWN	RAVI S	09APR2018	MATERIAL	CONTACT: BRASS ASTM B36 HOUSING NYLON ASTM D4066	FINISH	CONTACT TIN PLATE PER ASTM B545	
	CHK	ROHDE DANIEL F	09APR2018	 TE Connectivity Ltd.				
TOLERANCES UNLESS OTHERWISE SPECIFIED: 0 PLC ± - 1 PLC ± - 2 PLC ± - 3 PLC ± - 4 PLC ± - ANGLES ± -	APVD	ROHDE DANIEL F	09APR2018					NAME
	PRODUCT SPEC	-			SIZE	CAGE CODE	DRAWING NO	RESTRICTED TO
	APPLICATION SPEC	-			A4	00779	53440	-
	WEIGHT	2.18 g			CUSTOMER DRAWING	SCALE	NTS	SHEET 1 OF 1
								REV M1

单击下面可查看定价，库存，交付和生命周期等信息

[>>TE Connectivity\(泰科\)](#)