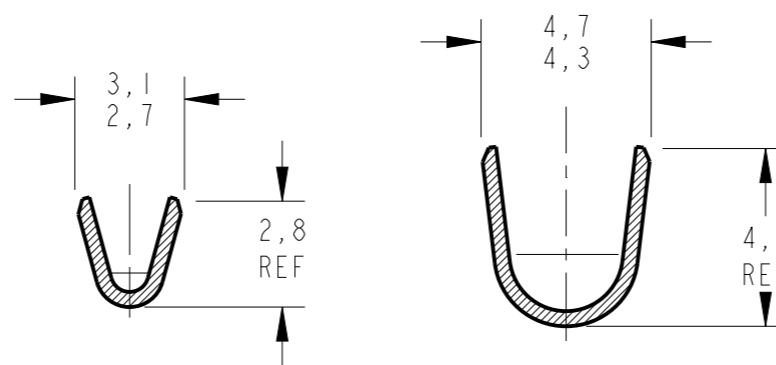
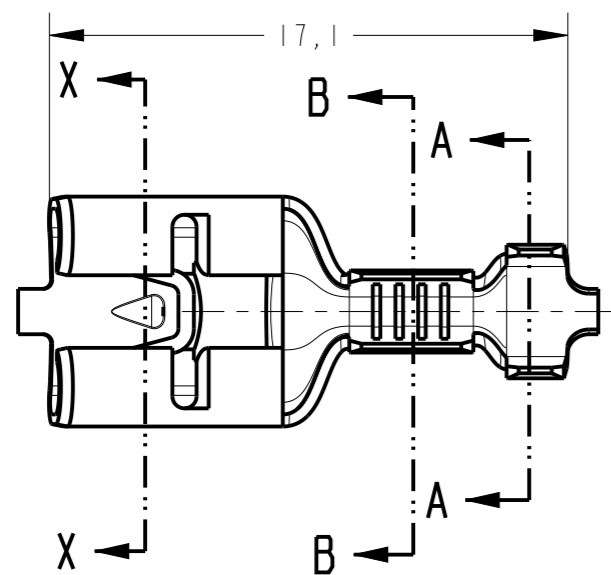


LOC AP DIST -

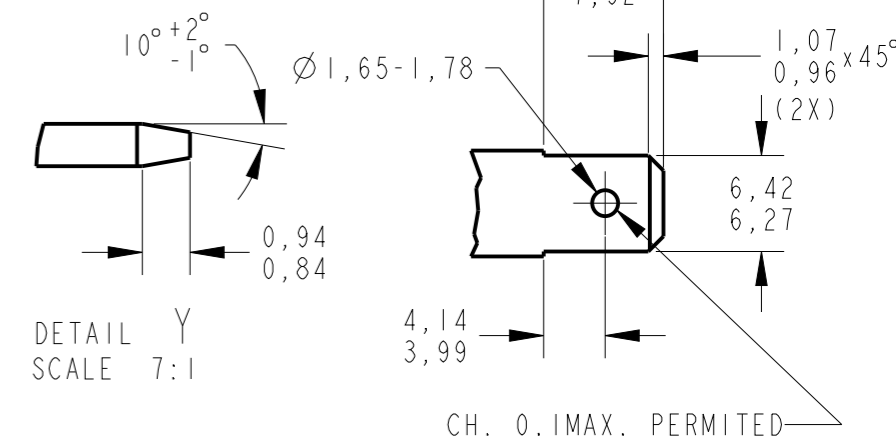
REVISIONS

P	LTR	DESCRIPTION	DATE	DWN	APVD
C3		REV. BY ECO 13-014548	13SEP2013	HC	WLS
C4		REVISED BY ECO 16-003725	23JUN2016	HC	WLS
C5		REV. BY ECO 17-010545	18JUL2017	HC	WLS
C6		REVISED PER ECR-20-009164	14AUG2020	MK	DH



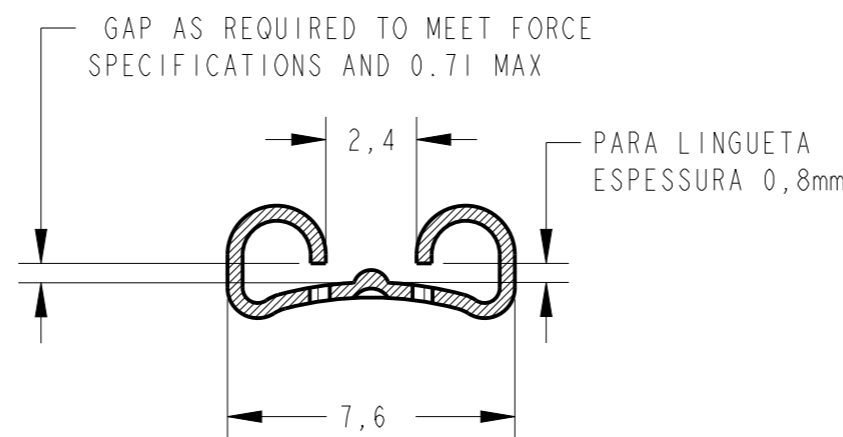
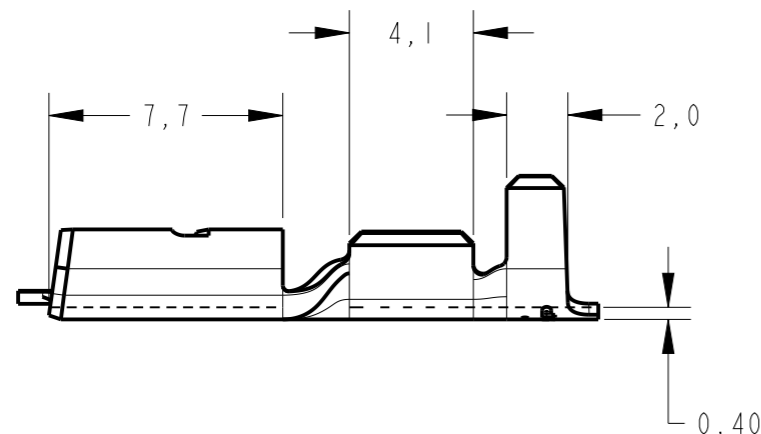
SECTION B-B SCALE 5:1

SECTION A-A SCALE 5:1



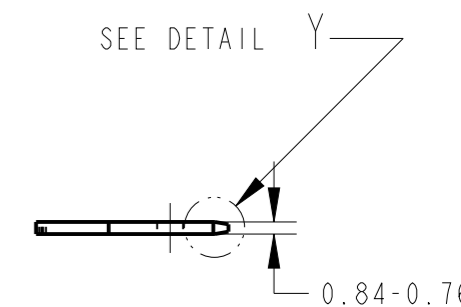
DETAIL Y SCALE 7:1

CH. 0, IMAX. PERMITTED



SECTION X-X SCALE 5:1

TEST TAB BR-6-058-1 MATERIAL: AÇO RÁPIDO



MATING TAB THK.	FINISH	MATERIAL	PART NUMBER
0.84-0.76	ESTANHADO / TIN PLATED	LATÃO / BRASS	444334 -4
0.84-0.76	—	LATÃO / BRASS	444334 -3
0.84-0.76	ESTANHADO / TIN PLATED	LATÃO / BRASS	444334 -2
0.84-0.76	—	LATÃO / BRASS	444334 -1

PART NUMBER	1º INSERÇÃO MÁX. (N)	1º EXTRAÇÃO MÍN. (N)	10º EXTRAÇÃO MÍN. (N)
444334 -1	40	50	20
444334 -2	40	50	20
444334 -3	40	70	20
444334 -4	40	70	20

THIS DRAWING IS A CONTROLLED DOCUMENT.

DWN NCLAPRESA 12JUL2012
 CHK JRGOLDSCHMIDT 12JUL2012
 APVD DAOLIVEIRA 12JUL2012

DIMENSIONS: mm

TOLERANCES UNLESS OTHERWISE SPECIFIED:
 0 PLC ±-
 1 PLC ±0,3
 2 PLC ±-
 3 PLC ±-
 4 PLC ±-
 ANGLES ±1°

MATERIAL SEE TABLE FINISH SEE TABLE

PRODUCT SPEC 108-37034
 APPLICATION SPEC -
 WEIGHT -

Customer Drawing

STE TE Connectivity

NAME -
 TERMINAL FASTON 6,35 RECEPT

SIZE A3 CAGE CODE 00779 DRAWING NO C-444334 RESTRICTED TO -

SCALE 4:1 SHEET 1 OF 1 REV C6

单击下面可查看定价，库存，交付和生命周期等信息

[>>TE Connectivity\(泰科\)](#)