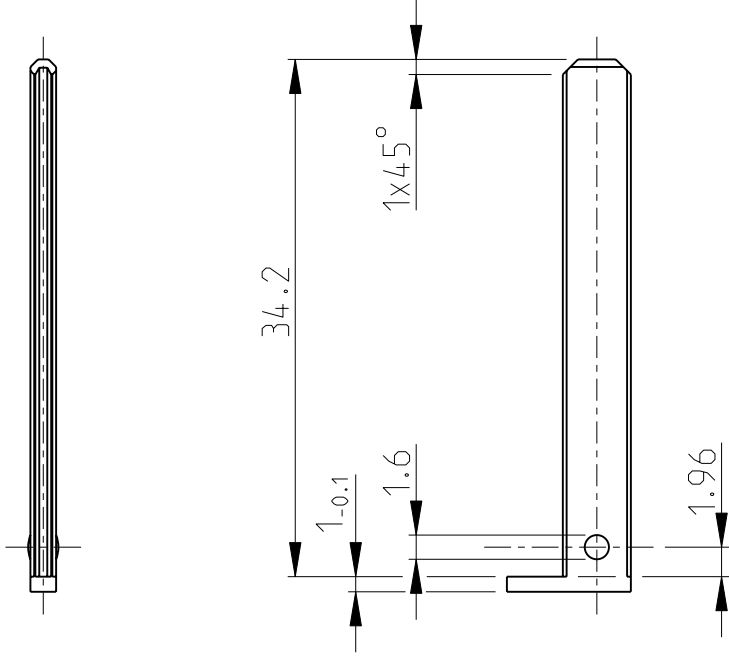


THIS DRAWING IS A CONTROLLED DOCUMENT FOR TYCO ELECTRONICS CORPORATION AND IT IS SUBJECT TO CHANGE WITHOUT NOTICE. THE CONTROLLING ENGINEERING ORGANIZATION SHOULD BE CONTACTED FOR THE LATEST REVISION.

LOC		DIST		REVISIONS			
P	LTR	DESCRIPTION	DATE	DWN	APVD		
C		PN 926936-2 hinzu	18MAY1982	-	-		
D		Benennung Korrektur	12FEB1985	Jäger	-		
D2		NEW DRAWING CREATED	10SEP2007	Haas	Stre.		
D3		DASH NUMBER IN TABLE CORRECTED	16JAN2008	Haas	Stre.		



926635-2	D	$\triangle 1$	RED
926635-1	D	$\triangle 1$	BLACK
PART NO.	REV.	MATERIAL	COLOR

DIMENSIONS:		10SEP2007 MATERIAL PA 6.6 13GV $\triangle 1$ FINISH	
mm		Tyco Electronics	
TOLERANCES UNLESS OTHERWISE SPECIFIED:		Tyco Electronics AMP GmbH 64625 Bensheim (Germany)	
0 PLC	±	NAME	
1 PLC	±	LOCKING SLIDE	
2 PLC	±	Kontaktsicherung fuer MODU IV Gehaeuse	
3 PLC	±	SIZE	
4 PLC	±	CAGE CODE DRAWING NO	
ANGLES	±	A 4 00779 C=926635	
RESTRICTED TO		SCALE 2:1	
WEIGHT		SHEET 1 OF 1	
CUSTOMER DRAWING		REV D3	

单击下面可查看定价，库存，交付和生命周期等信息

[>>TE Connectivity\(泰科\)](#)