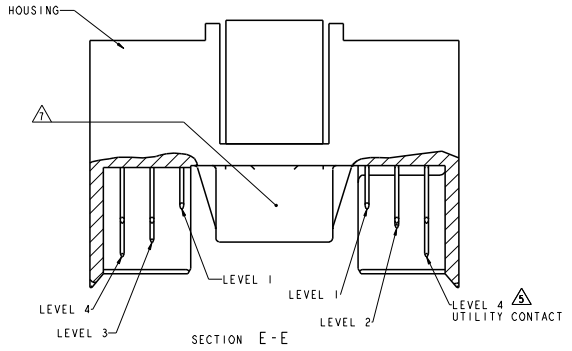
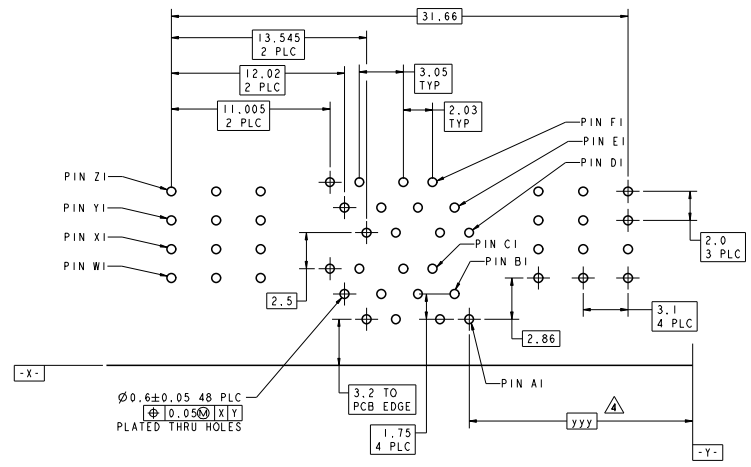
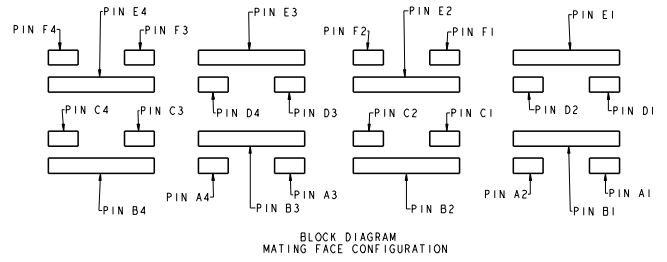
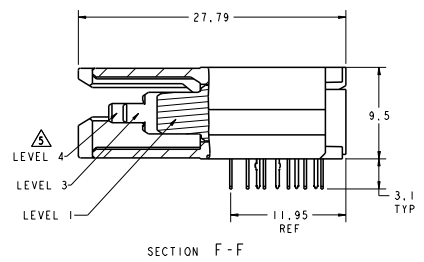
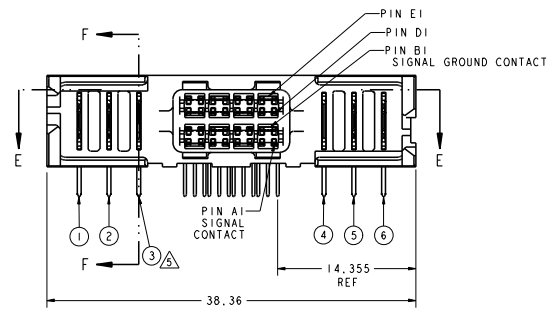


REVISONS		DATE	BY	APP'D
P	1			
B	2	12NOV2010	CJV	EJG



- △ HOUSINGS: POLYESTER, UL 94V-0 RATED, NATURAL SIGNAL AND SIGNAL GROUND CONTACTS: COPPER ALLOY UTILITY CONTACTS: PHOSPHOR BRONZE
- △ UTILITY CONTACTS: 0.76um MIN GOLD IN CONTACT AREA, 2.54um MIN TIN ON PCB TAILS, OVER 1.27um MIN NICKEL OVER ALL. SIGNAL AND SIGNAL GROUND CONTACTS: 0.76um MIN GOLD IN CONTACT AREA, 2.54um MIN TIN ON PCB TAILS, OVER 1.27um MIN NICKEL OVER ALL.
- 3. ROWS A, C, D, AND F ARE SIGNAL CONTACTS. ROWS B AND E ARE SIGNAL GROUND CONTACTS.
- △ DIMENSIONS PER CUSTOMER BOARD LAYOUT.
- △ SEE UTILITY CONTACT SEQUENCE TABLE FOR LOCATION AND LEVEL/LENGTH OF UTILITY CONTACTS FOR EACH PRODUCT PART NUMBER. UTILITY LEVEL 1 CAN BE USED FOR SENSING. UTILITY LEVELS 2, 3, AND 4 CAN BE USED FOR POWER, GROUND, OR ESD. SEQUENCING SHOWN IN SECTION E-E SHOWS THREE LEVELS FOR COMPARISON. UTILITY LEVEL 2 EQUALS THE SIGNAL GROUND CONTACT LEVEL. SIGNAL LEVEL IS BETWEEN UTILITY LEVELS 1 AND 2.
- 6. BLOCK DIAGRAM AND CONTACT IDENTIFICATION APPLY TO COPLANAR NON-INVERTED APPLICATION ONLY. CONTACT IDENTIFICATION REVERSES FOR INVERTED APPLICATIONS, I.E COPLANAR OR MID-BOARD INVERTED.
- △ COMPANY LOGO IN APPROXIMATE AREA SHOWN.



RECOMMENDED PC BOARD FOOTPRINT  
COMPONENT SIDE SHOWN  
SCALE 6:1

UTILITY CONTACT SEQUENCE TABLE						PART NUMBER
UTILITY CONTACT LEVEL 1, 2, 3, OR 4						
1	2	4	4	2	2	6367551-2
4	3	2	2	3	4	6367551-1

DIMENSIONS		TOLERANCES UNLESS OTHERWISE SPECIFIED:		DATE		PART NUMBER	
mm		PLC	mm/100	12NOV2010	12NOV2010	Z-DOK+ ADAPTER BOARD CONNECTOR ASSEMBLY, 8 SIGNAL DIFF. PAIR, 3 UTILITY CONTACTS PER SIDE	
0 PLC	mm/100	mm/100	mm/100	12NOV2010	12NOV2010	TICO ELECTRONICS CORPORATION	
1 PLC	mm/100	mm/100	mm/100	12NOV2010	12NOV2010	HARRISBURG, PA 17105-3608	
2 PLC	mm/100	mm/100	mm/100	12NOV2010	12NOV2010	REVISED TO	
3 PLC	mm/100	mm/100	mm/100	12NOV2010	12NOV2010	REVISED TO	
4 PLC	mm/100	mm/100	mm/100	12NOV2010	12NOV2010	REVISED TO	
5 PLC	mm/100	mm/100	mm/100	12NOV2010	12NOV2010	REVISED TO	
6 PLC	mm/100	mm/100	mm/100	12NOV2010	12NOV2010	REVISED TO	
7 PLC	mm/100	mm/100	mm/100	12NOV2010	12NOV2010	REVISED TO	
8 PLC	mm/100	mm/100	mm/100	12NOV2010	12NOV2010	REVISED TO	
9 PLC	mm/100	mm/100	mm/100	12NOV2010	12NOV2010	REVISED TO	
10 PLC	mm/100	mm/100	mm/100	12NOV2010	12NOV2010	REVISED TO	
11 PLC	mm/100	mm/100	mm/100	12NOV2010	12NOV2010	REVISED TO	
12 PLC	mm/100	mm/100	mm/100	12NOV2010	12NOV2010	REVISED TO	
13 PLC	mm/100	mm/100	mm/100	12NOV2010	12NOV2010	REVISED TO	
14 PLC	mm/100	mm/100	mm/100	12NOV2010	12NOV2010	REVISED TO	
15 PLC	mm/100	mm/100	mm/100	12NOV2010	12NOV2010	REVISED TO	
16 PLC	mm/100	mm/100	mm/100	12NOV2010	12NOV2010	REVISED TO	
17 PLC	mm/100	mm/100	mm/100	12NOV2010	12NOV2010	REVISED TO	
18 PLC	mm/100	mm/100	mm/100	12NOV2010	12NOV2010	REVISED TO	
19 PLC	mm/100	mm/100	mm/100	12NOV2010	12NOV2010	REVISED TO	
20 PLC	mm/100	mm/100	mm/100	12NOV2010	12NOV2010	REVISED TO	
21 PLC	mm/100	mm/100	mm/100	12NOV2010	12NOV2010	REVISED TO	
22 PLC	mm/100	mm/100	mm/100	12NOV2010	12NOV2010	REVISED TO	
23 PLC	mm/100	mm/100	mm/100	12NOV2010	12NOV2010	REVISED TO	
24 PLC	mm/100	mm/100	mm/100	12NOV2010	12NOV2010	REVISED TO	

单击下面可查看定价，库存，交付和生命周期等信息

[>>TE Connectivity\(泰科\)](#)