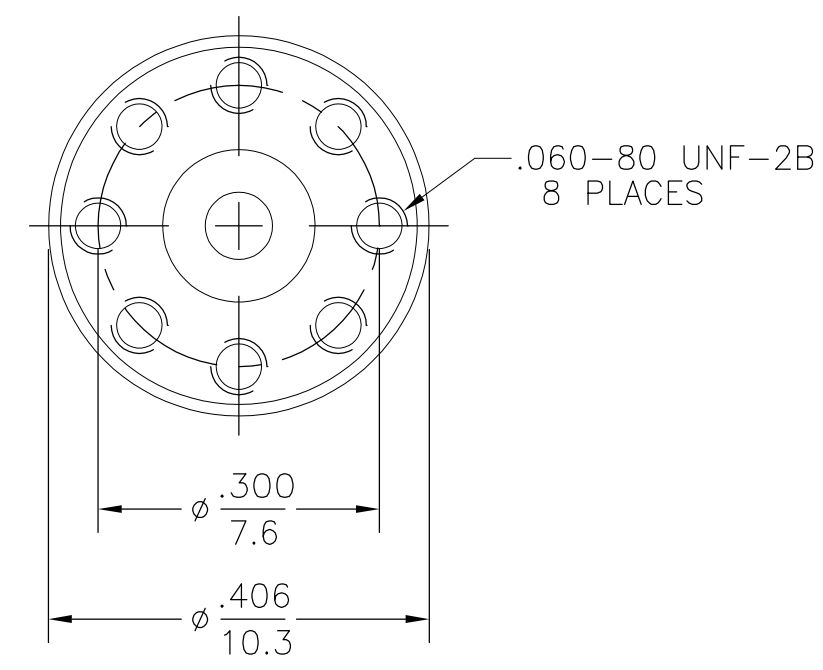
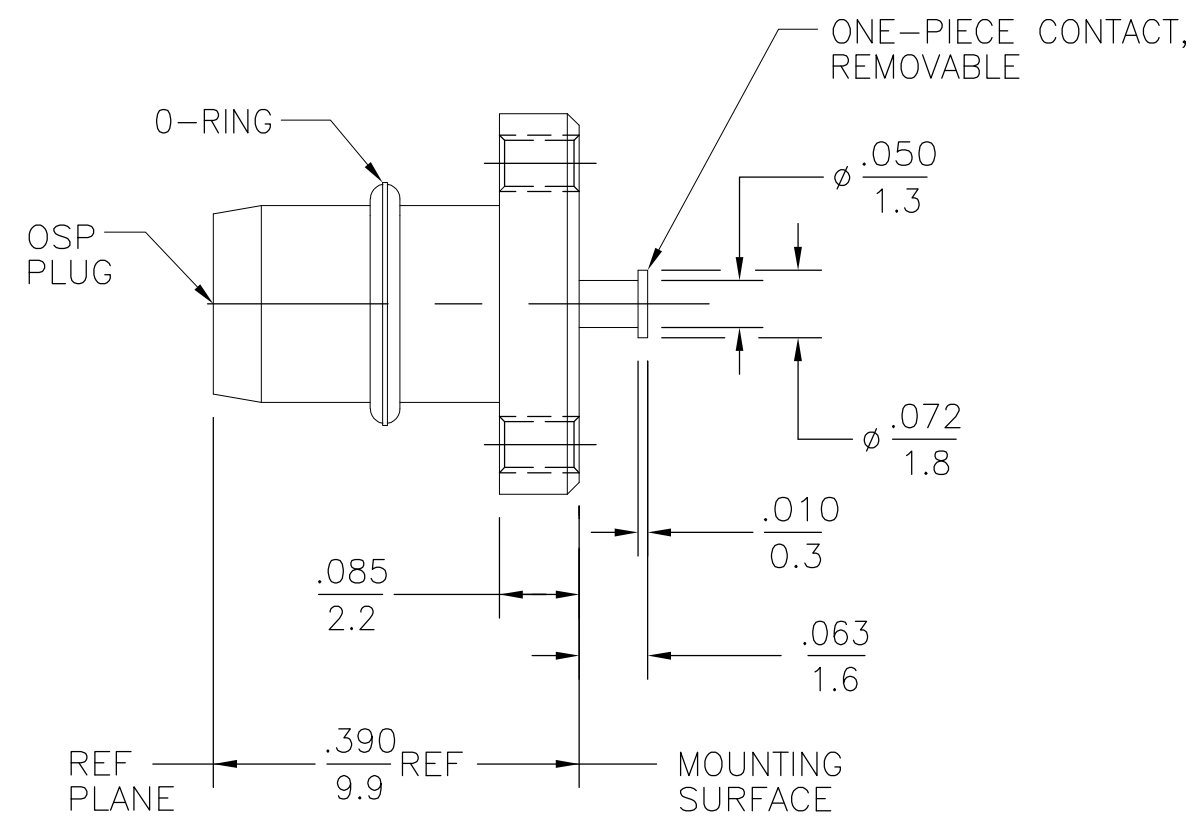


THIS DRAWING IS UNPUBLISHED. RELEASED FOR PUBLICATION
 © COPYRIGHT BY TYCO ELECTRONICS CORPORATION. ALL RIGHTS RESERVED.

LOC	DIST	REVISIONS					
		P	LTR	DESCRIPTION	DATE	DWN	APVD
HC	00		C	FIRST ISSUE	2010NOV1	AM	-



ELECTRICAL	MECHANICAL	ENVIRONMENTAL
NOMINAL IMPEDANCE (OHMS) 50 ± 1	Interface Dimensions Per MIL-STD-348A FIG 321-1	TEMPERATURE RATING -65° TO $+125^{\circ}$ C
Frequency Range (GHz) DC to 18	Mating Characteristics:	Vibration MIL-STD-202, Method 204, Condition D
Volt Rating (VRMS MAX) @ Sea Level 335	Insertion (MAX Lbs) N/A	Shock MIL-STD-202, Method 213, Condition I
VSWR $1.05 + .005f(\text{GHz})$ DC to 18 GHz	Withdrawal (MIN Oz) N/A	Thermal Shock MIL-STD-202, Method 107, Condition B
Insertion Loss (dB MAX) $.03x \sqrt{f(\text{GHz})}$	Force to Engage (In/Lbs MAX) 3 & Disengage (In/Lbs MAX) 1.5	Moisture Resistance MIL-STD-202, Method 106
RF Leakage (dB MIN) (Interface Only, Fully Mated) $-(90-f(\text{GHz}))$	Center Contact Captivation	Corrosion - MIL-STD-202, Method 101, Condition B
Corona, 70,000 Ft (VRMS MIN) 250	Axial (Lbs) 0	
Dielectric Withstanding Voltage (VRMS MIN) @ Sea Level 1000	Cable Retention	
Contact Resistance (Milliohms MAX) Center Contact 2.0, Outer Contact 2.0	Axial Force (Lbs MIN) N/A	
RF High Potential @ Sea Level (VRMS MIN @ 5 MHz) 670	Torque (In/Oz MIN) N/A	
I.R.(Megohms MIN) 5000		

.XXX = in
XX.X = mm (REF)

THIS DRAWING IS A CONTROLLED DOCUMENT.	DWN T. WAGNER 12-14-98	Tyco Electronics Corporation Harrisburg, Pa 17105-3608	
DIMENSIONS: INCHES	APVD T. WAGNER 12-14-98	NAME OSP STRIPLINE SURFACE LAUNCH PLUG TURRET TERMINAL (4567-1322-00)	
TOLERANCES UNLESS OTHERWISE SPECIFIED: 0 PLC $\pm -$ 1 PLC $\pm -$ 2 PLC $\pm -$ 3 PLC $\pm .005$ 4 PLC $\pm -$ ANGLES $\pm 1^{\circ}$	PRODUCT SPEC	SIZE A3	CAGE CODE 00779
MATERIAL SEE TABLE	FINISH SEE TABLE	DRAWING NO C-1313851	RESTRICTED TO
CUSTOMER DRAWING		SCALE 5:1	SHEET 1 OF 1

单击下面可查看定价，库存，交付和生命周期等信息

[>>TE Connectivity\(泰科\)](#)