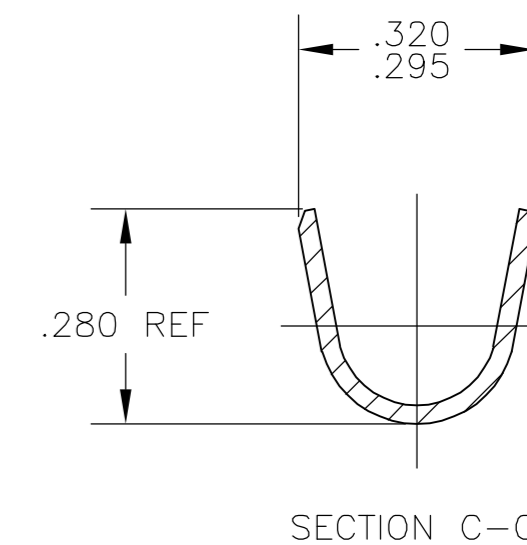
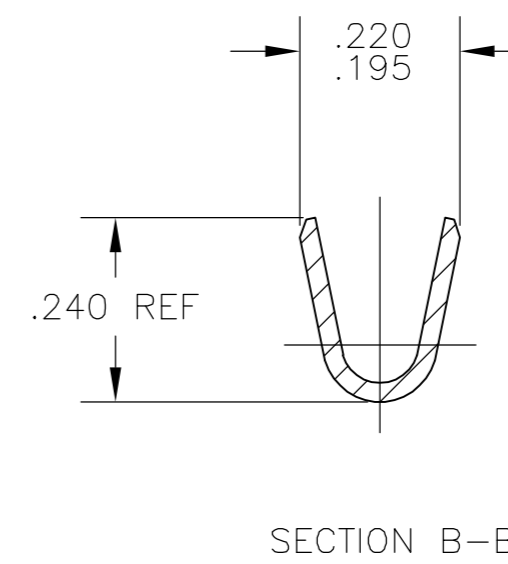
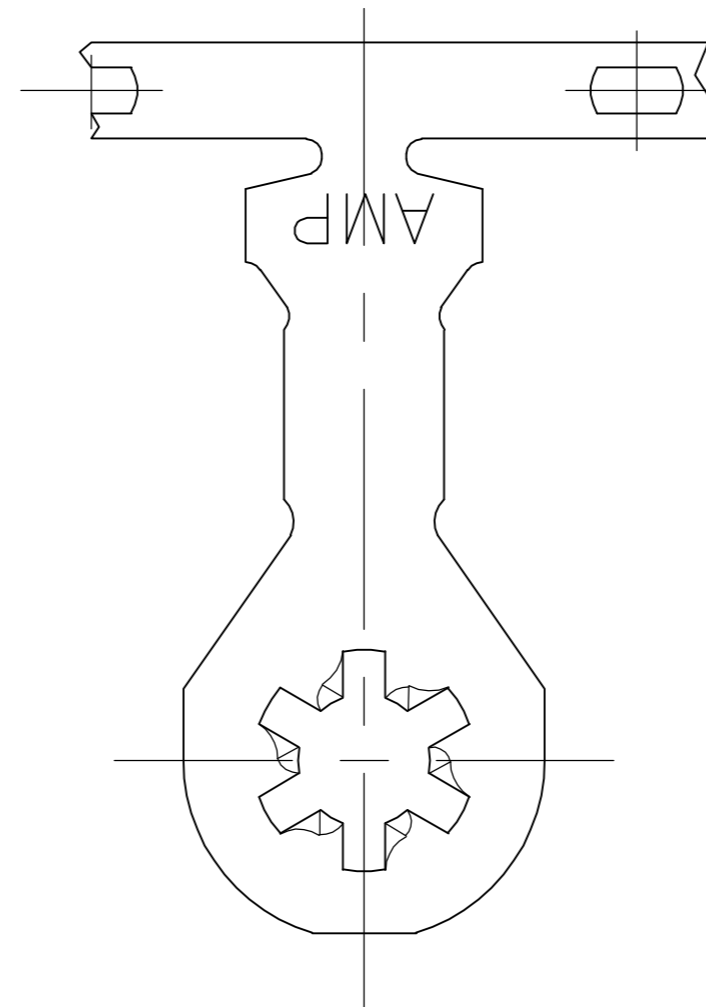
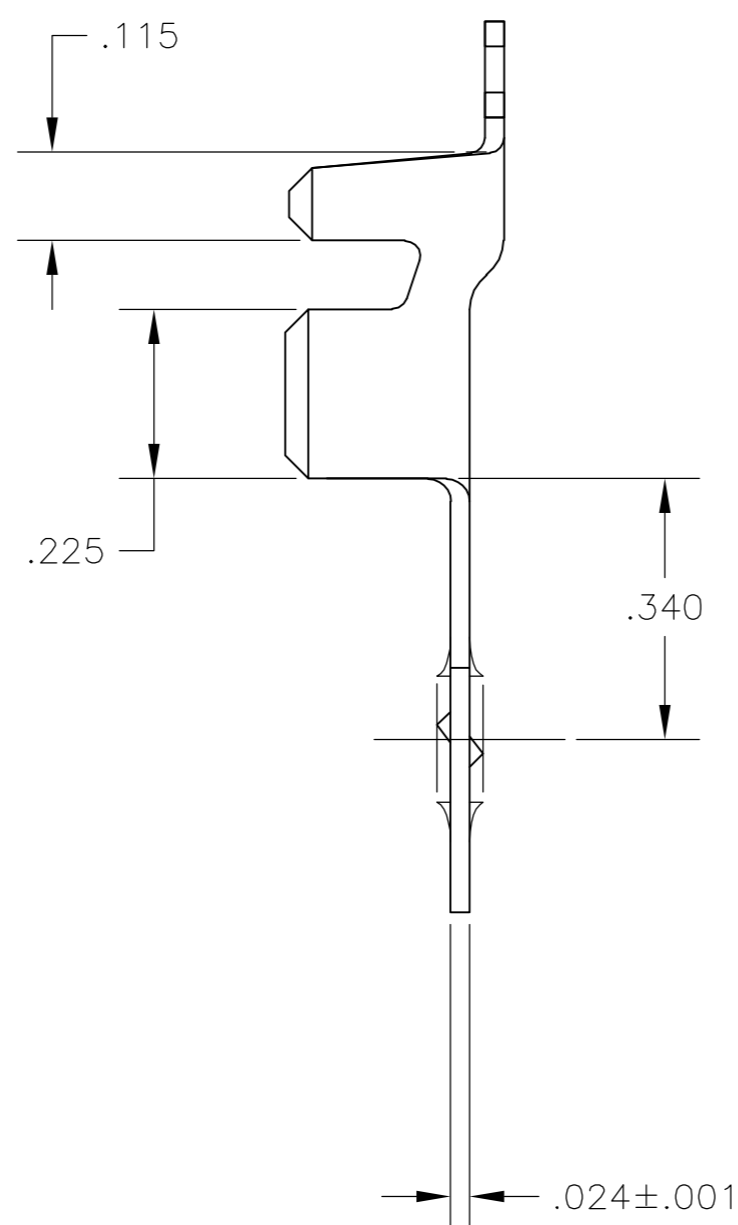
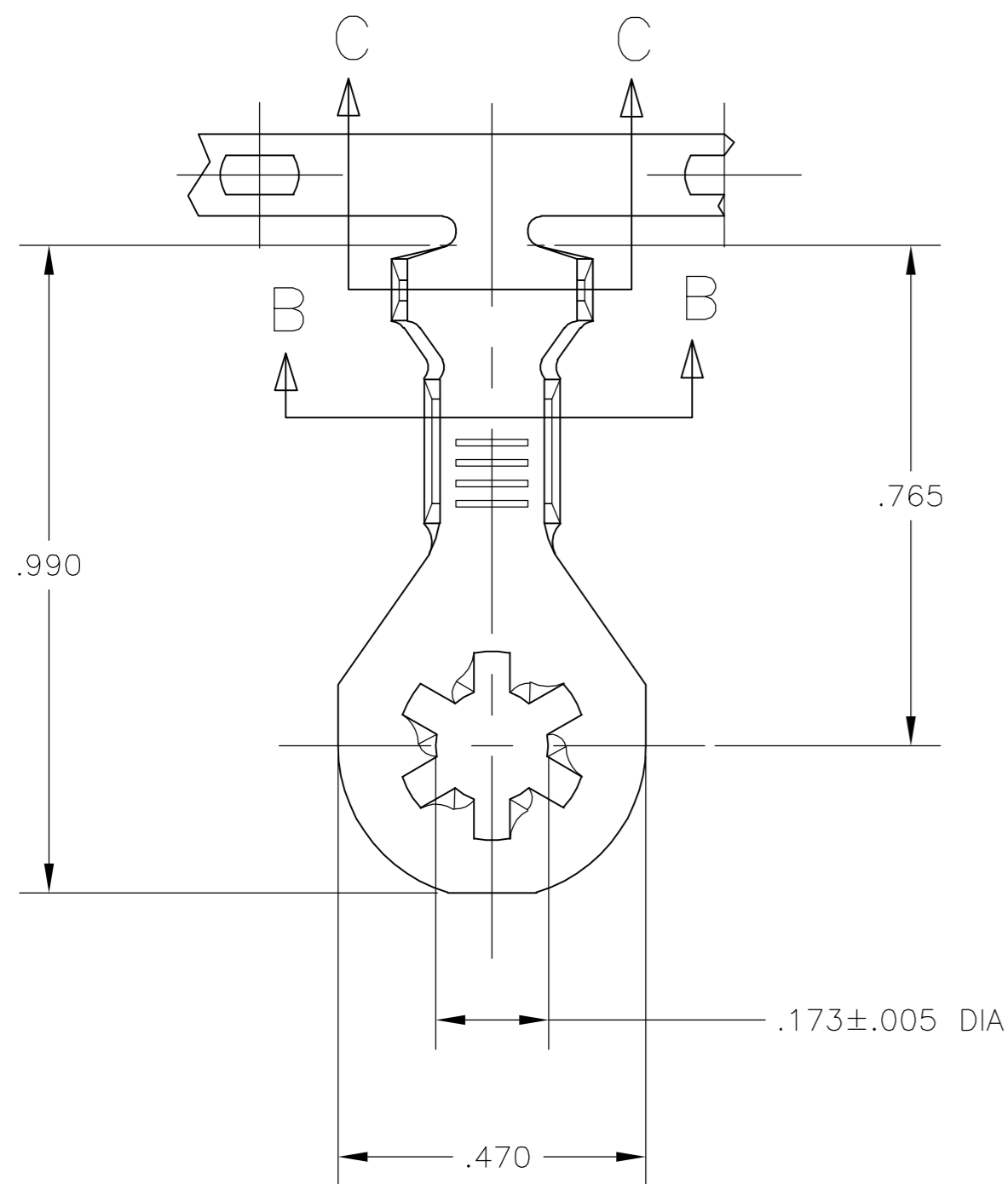


THIS DRAWING IS UNPUBLISHED. RELEASED FOR PUBLICATION
 © COPYRIGHT BY TYCO ELECTRONICS CORPORATION. ALL RIGHTS RESERVED.

LOC	DIST	REVISIONS			
P	LTR	DESCRIPTION	DATE	DWN	APVD
AF	50	C	REVISED PER OG3A-0923-04	30NOV04	MF DD

- CONTINUOUS STRIP ON REELS.
- WIRE RANGE: #12-#10 AWG,
INSULATION RANGE: .125-.220 DIA.



FINISH	MATERIAL	PART NUMBER
.000080 MIN TIN PLATE	TEMP 2 COLD ROLLED STEEL	62612-2
-	ANNEALED STAINLESS STEEL	62612-1

THIS DRAWING IS A CONTROLLED DOCUMENT.		DWN 17NOV2004 MICHAEL S. FEHER	 Tyco Electronics Corporation Harrisburg, Pa 17105-3608
DIMENSIONS: INCHES		CHK 30NOV2004 DONALD F. DECKER	
TOLERANCES UNLESS OTHERWISE SPECIFIED:		APVD 30NOV2004 DONALD F. DECKER	
0 PLC ± - 1 PLC ± - 2 PLC ± - 3 PLC ± .010 4 PLC ± - ANGLES ± - FINISH SEE TABLE		NAME RING, ANTIROTATIONAL, 8 STUD SIZE PRODUCT SPEC - APPLICATION SPEC - WEIGHT - CUSTOMER DRAWING	
MATERIAL SEE TABLE		FINISH SEE TABLE	SIZE A2 CAGE CODE 00779 DRAWING NO C=62612 RESTRICTED TO - SCALE 5:1 SHEET 1 OF 1 REV C

单击下面可查看定价，库存，交付和生命周期等信息

[>>TE Connectivity\(泰科\)](#)