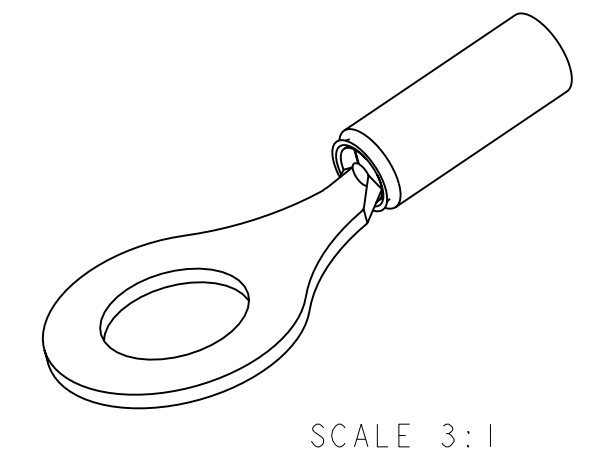
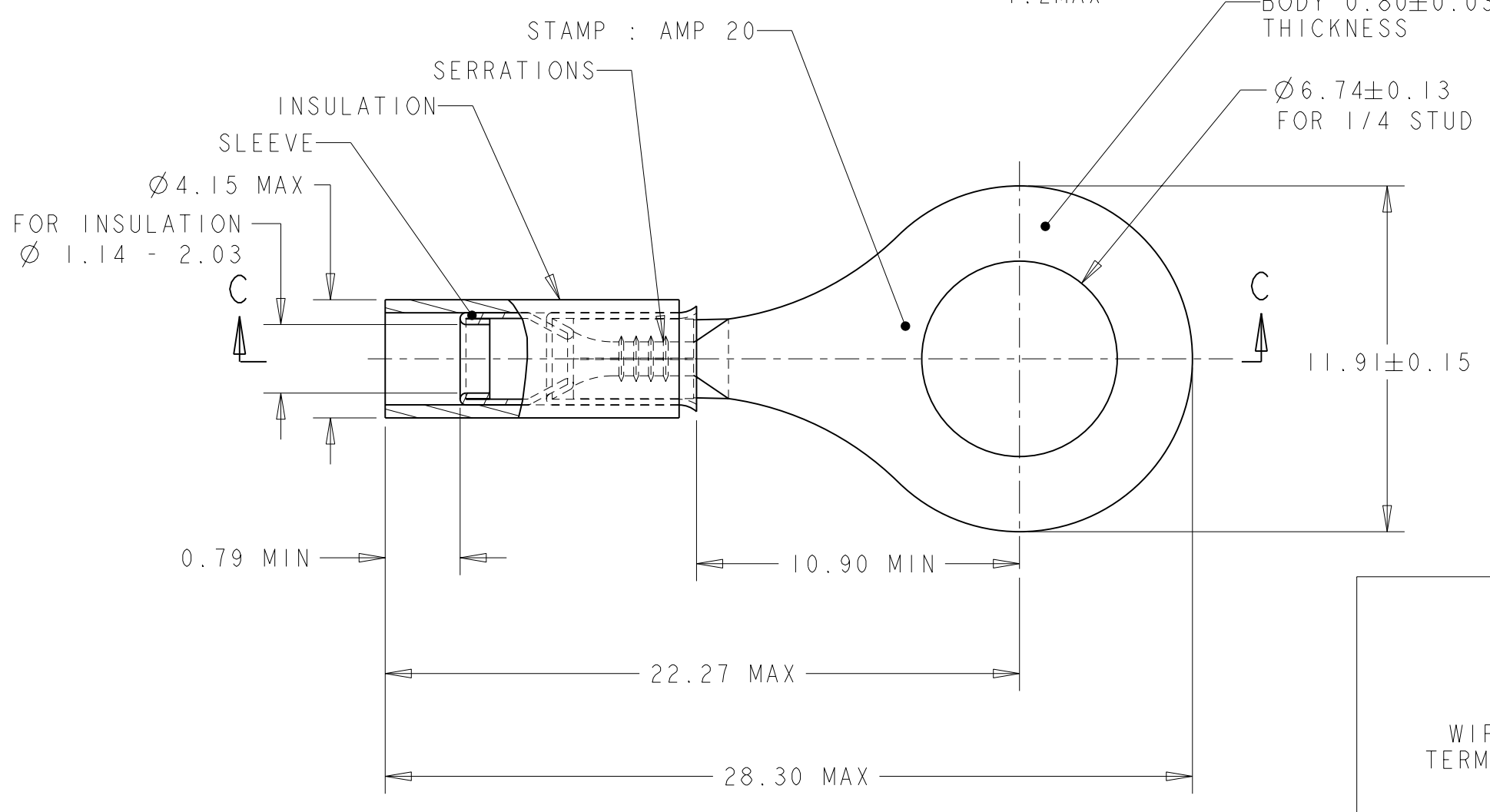
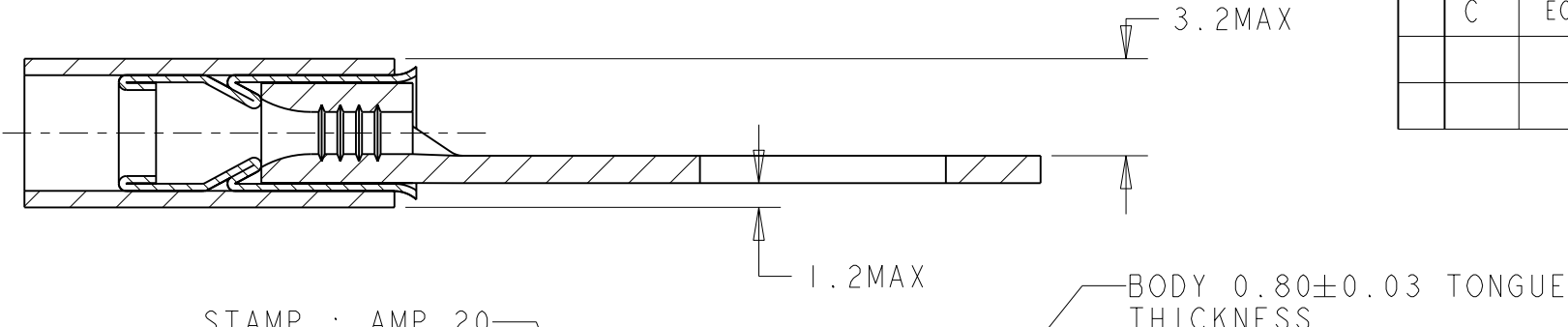


THIS DRAWING IS UNPUBLISHED. RELEASED FOR PUBLICATION 20  
 © COPYRIGHT 20 BY TYCO ELECTRONICS CORPORATION. ALL RIGHTS RESERVED.

LOC	DIST	REVISIONS			
P	LTR	DESCRIPTION	DATE	DWN	APVD
F	00	B	09JUN2006	JJD	YP
		C	25OCT2007	JT	GR

COUPE C - C



WIRE TERMINAL	1577627-1	BODY : COPPER ANNEALED FINISH : NICKEL PLATED
		SLEEVE : COPPER ANNEALED FINISH : NICKEL PLATED
		INSULATION : PEEK COLOR : GREY
DESCRIPTION	PART NUMBER	MATERIAL & FINISH

THIS DRAWING IS A CONTROLLED DOCUMENT FOR TYCO ELECTRONICS CORPORATION IT IS SUBJECT TO CHANGE AND THE CONTROLLING ENGINEERING ORGANIZATION SHOULD BE CONTACTED FOR THE LATEST REVISION.		DWN 02NOV2005 JJ. DESPRETZ		<b>tyco</b> <b>Electronics</b>		TYCO ELECTRONICS France SAS BP 30039, 95301 CERGY-PONTOISE Cedex	
DIMENSIONS: mm		TOLERANCES UNLESS OTHERWISE SPECIFIED: 0 PLC ±- 1 PLC ±0.3 2 PLC ±- 3 PLC ±- 4 PLC ±- ANGLES ±5 FINISH SEE TABLE		CHK 02NOV2005 G. ROBERT		NAME TERMINAL, PEEK PIDG STRATO, 20 AWG	
MATERIAL SEE TABLE		APVD 02NOV2005 Y. PETRONIN		PRODUCT SPEC 108-15356		SIZE CAGE CODE DRAWING NO RESTRICTED TO A3 00779 C-1577627	
		APPLICATION SPEC 114-15102		WEIGHT 1,15 gr		CUSTOMER DRAWING SCALE 5:1 SHEET 1 OF 1 REV C	

单击下面可查看定价，库存，交付和生命周期等信息

[>>TE Connectivity\(泰科\)](#)