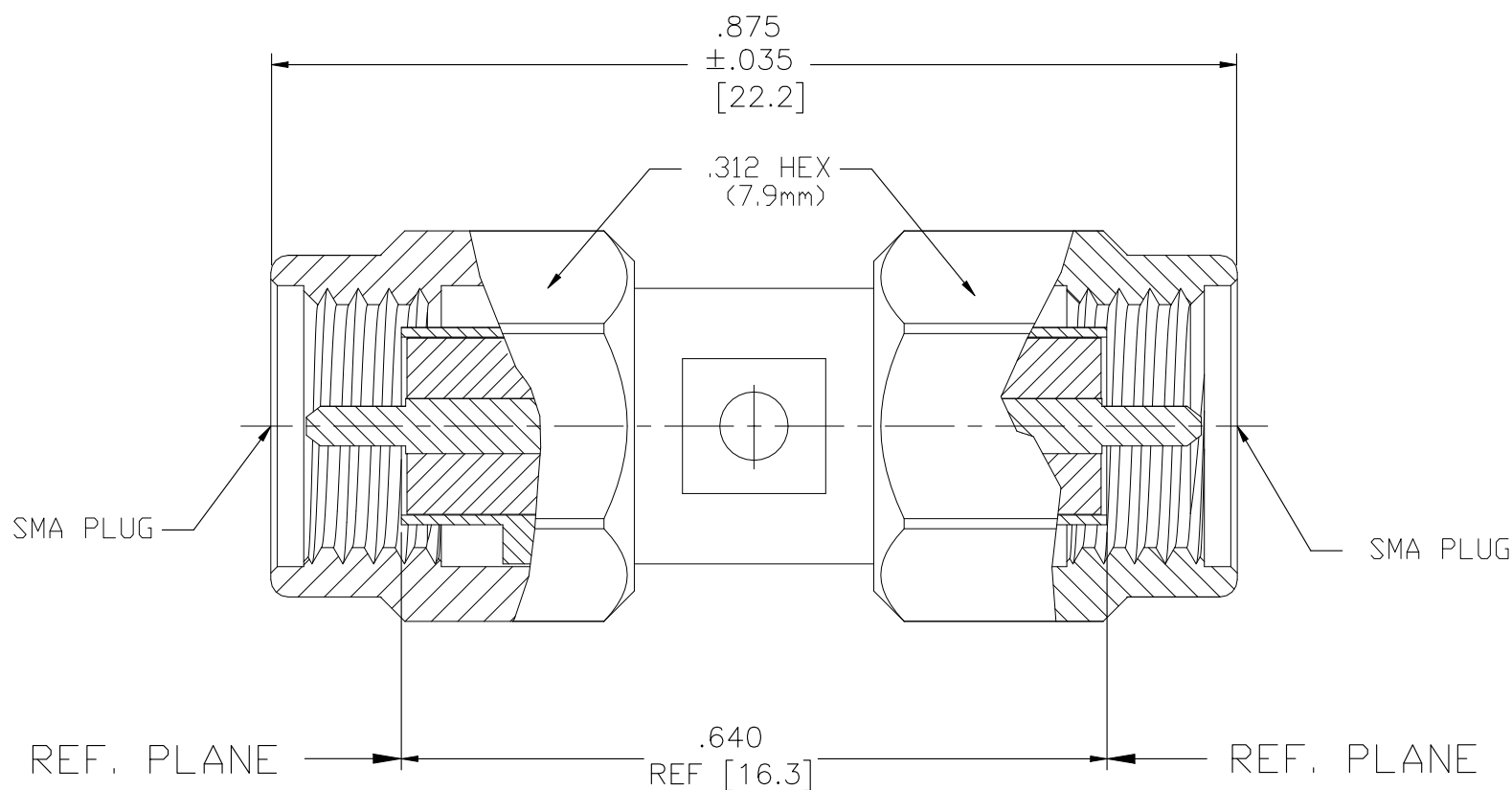


REVISIONS

P	LTR	DESCRIPTION	DATE	DWN	APVD
	B1	REVISED PER ECR-21-103794	03JUN2021	RS	WK



ELECTRICAL	MECHANICAL	ENVIRONMENTAL
Nominal Impedance (Ohms) <u>50</u>	Interface Dimensions MIL-STD-348 FIG 310.1	TEMPERATURE RATING <u>-65°C TO 105°C</u>
Frequency Range (GHz) <u>DC to 18.0</u>	Recommended Mating Torque <u>7.0 to 10.0 In/Lbs</u>	Vibration - MIL-STD-202, Method 204, Condition D
Volt Rating (VRMS MAX) <u>335</u>	Connector Engagement <u>2.0 In/Lbs MAX</u>	Shock - MIL-STD-202, Method 213, Condition I
VSWR <u>1.05+006f(GHz) MAX</u>	Center Contact Captivation Axial <u>6.0 Lbs MIN</u>	Thermal shock MIL-STD-202, Method 107 Test Condition B
Insertion Loss (dB MAX) <u>.06 √f(GHz)</u>	Radial <u>4.0 In/oz MIN</u>	EXCEPT HIGH TEMP 115°C
RF Leakage <u>[-60-f(GHz)]</u>	Weight (Grams) <u>4.7</u>	Moisture Resistance - MIL-STD-202, Method 106, except Step 7b
Corona, 70,000 Ft (VRMS MIN) <u>250</u>		(Vibration) shall be omitted
Dielectric Withstanding Voltage (VRMS MIN) <u>1000</u>		Corrosion - MIL-STD-202, Method 101, Condition B, 5% salt spray
Contact Resistance (Milliohms MAX) Center Contact <u>4.0</u>		
Outer Contact <u>2.0</u>		
RF High Potential (VRMS MIN @ 5 MHz) <u>670</u>		
I.R.(Megohms) <u>5000</u>		

.XXX = in
XX.X = mm

THIS DRAWING IS A CONTROLLED DOCUMENT.

DIMENSIONS: INCHES	TOLERANCES UNLESS OTHERWISE SPECIFIED:
	0 PLC ± -
	1 PLC ± -
	2 PLC ± -
	3 PLC ± .005
	4 PLC ± -
	ANGLES ± 1°
MATERIAL	FINISH
-	-

QUANTITY PER ASSY	PARTS LIST
2	SILICONE RUBBER GASKET 6
2	BeCu RETAINING RING 5
2	Au STAINLESS STEEL COUPLING NUT 4
1	Au STAINLESS STEEL HOUSING 3
1	PTFE INSULATION 2
1	Au BeCu CENTER CONTACT 1
-1	PLATING MATERIAL DESCRIPTION ITEM

STE TE Connectivity

SMA ADAPTER PLUG TO PLUG BULKHEAD ADAPTER

DWN BWC 6/9/67	APVD PRB 5/8/68	NAME	RESTRICTED TO
CHK PRB 5/8/68	APVD PRB 5/8/68	SIZE A3	CAGE CODE 00779
PRODUCT SPEC	APPLICATION SPEC	DRAWING NO C-1053634	SCALE 6:1
WEIGHT -	CUSTOMER DRAWING	SHEET 1 OF 1	REV B1

单击下面可查看定价，库存，交付和生命周期等信息

[>>TE Connectivity\(泰科\)](#)