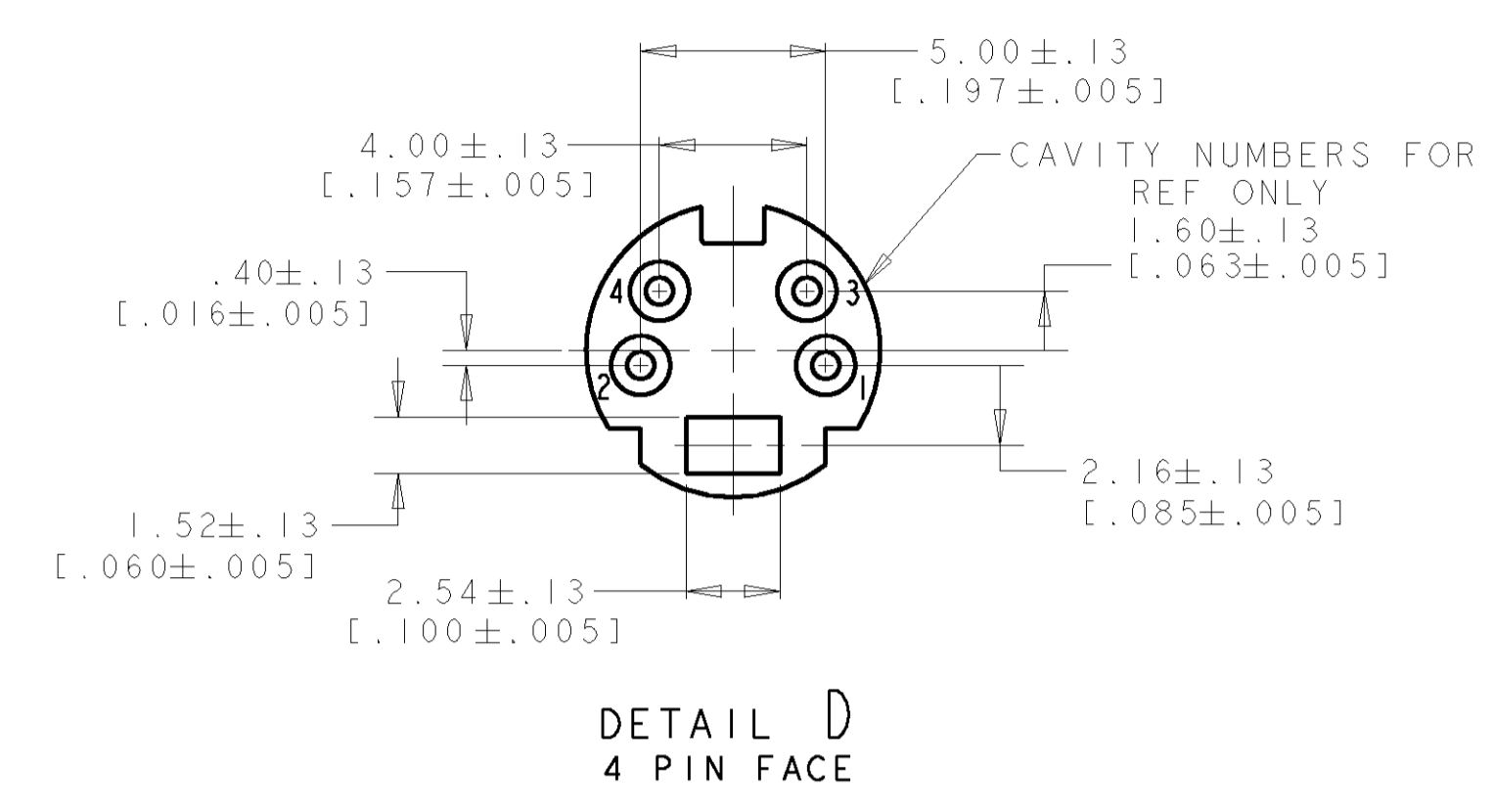
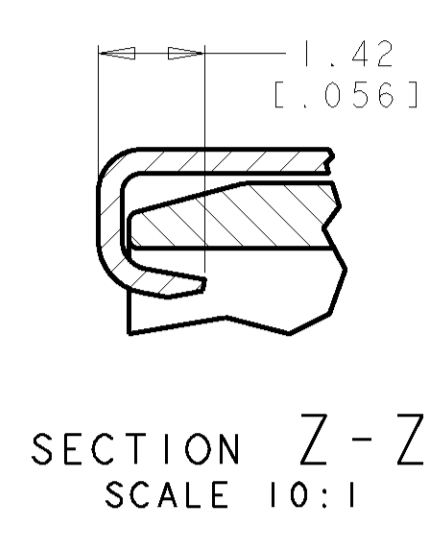
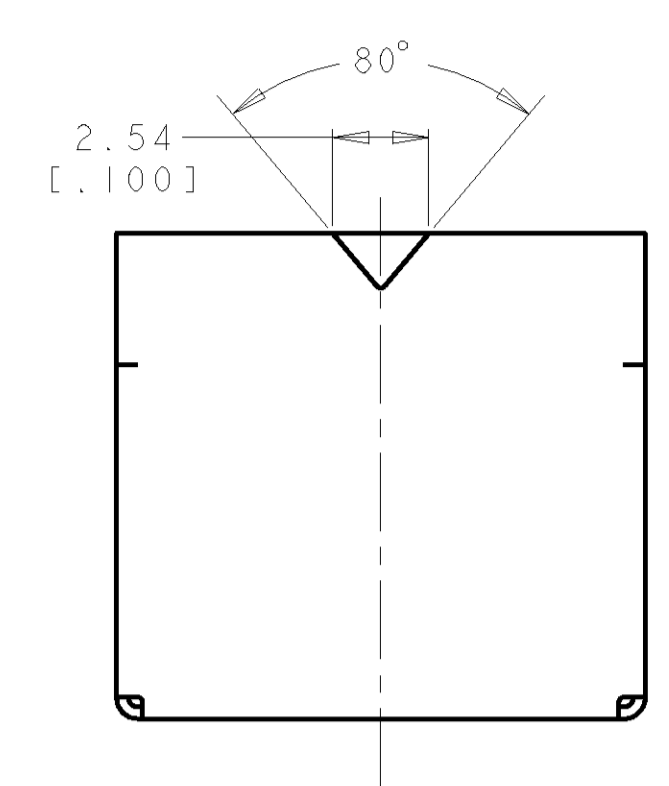
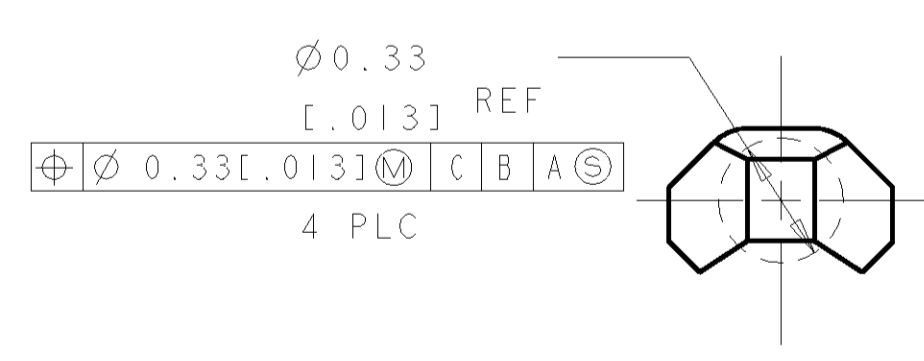
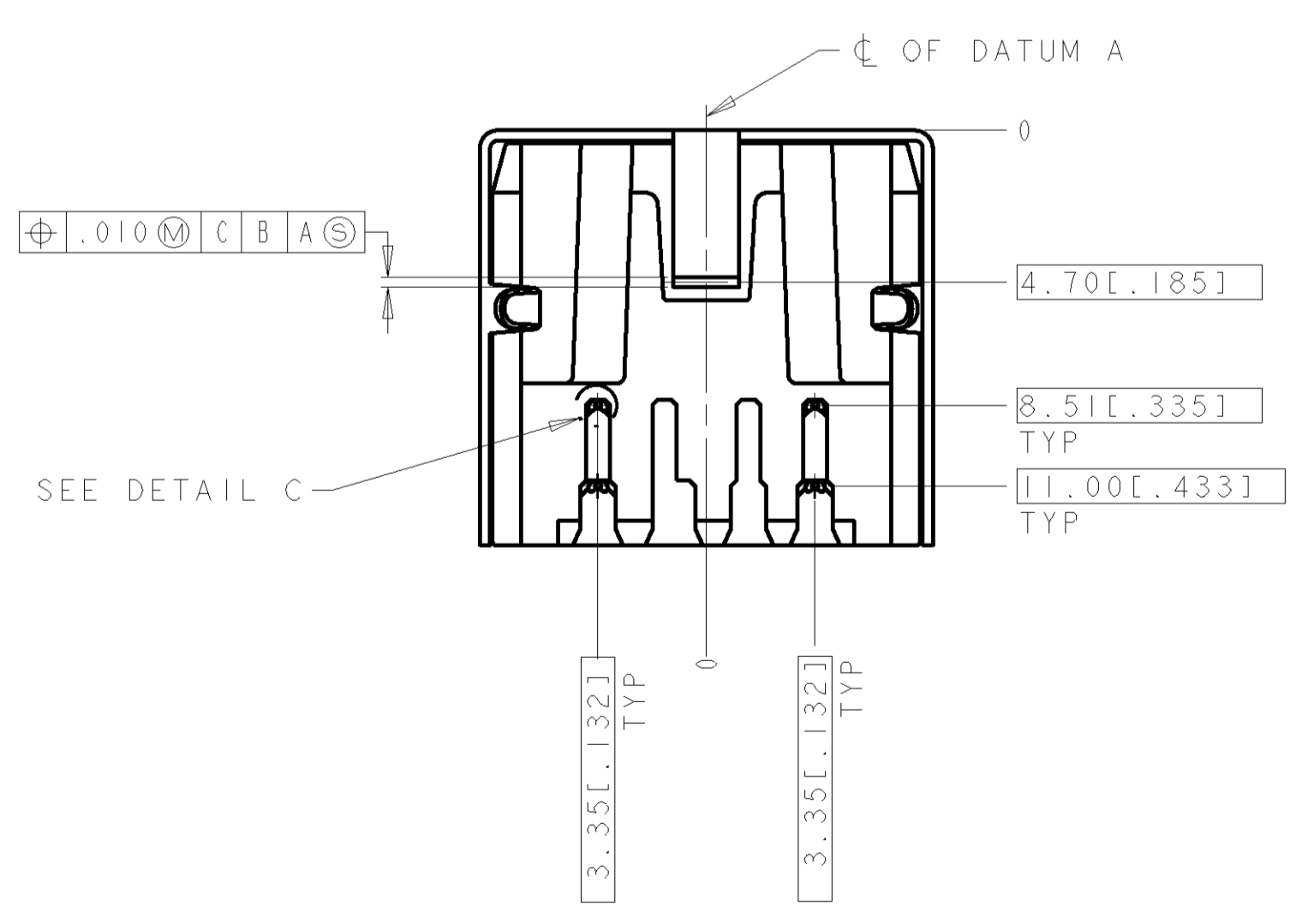
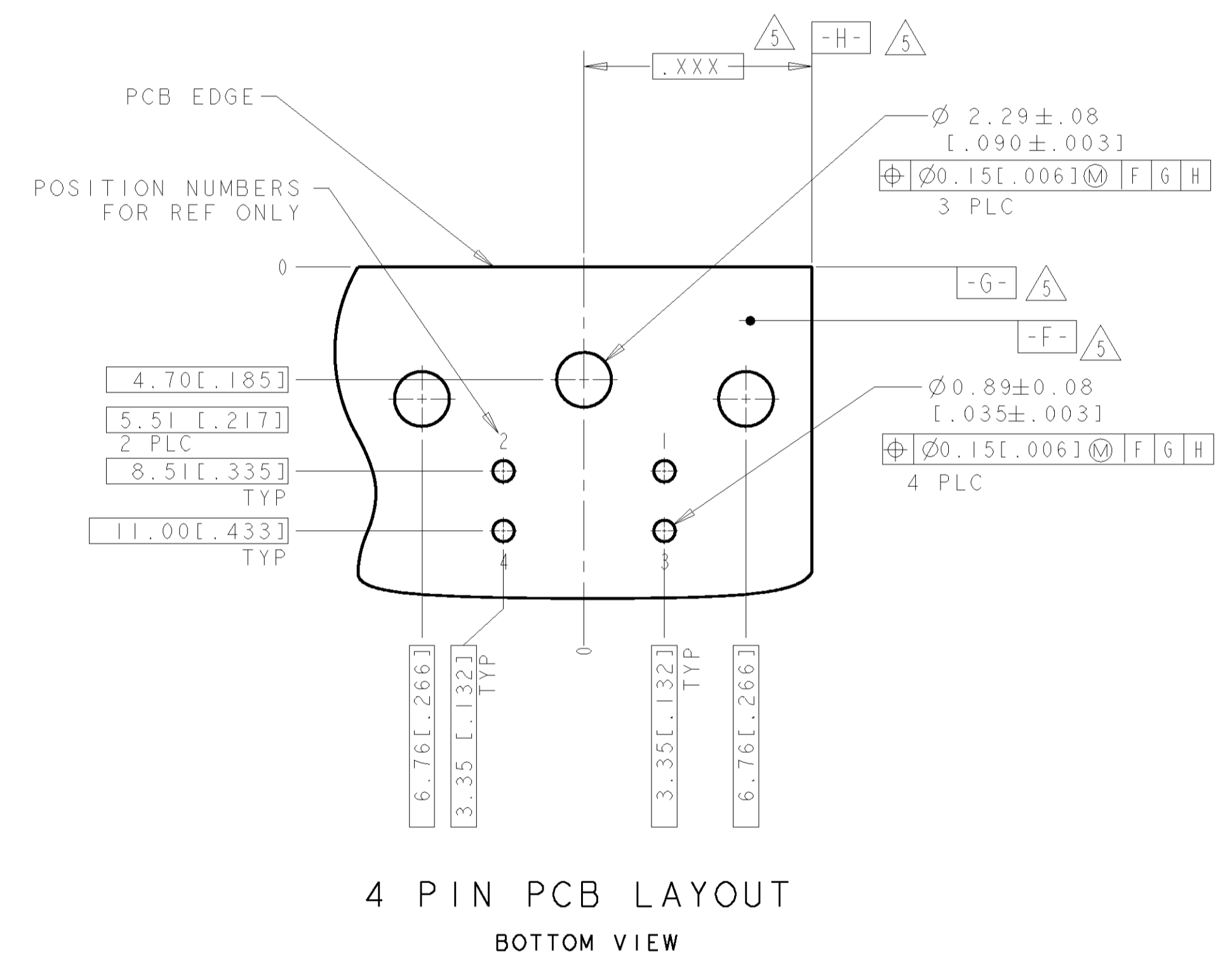
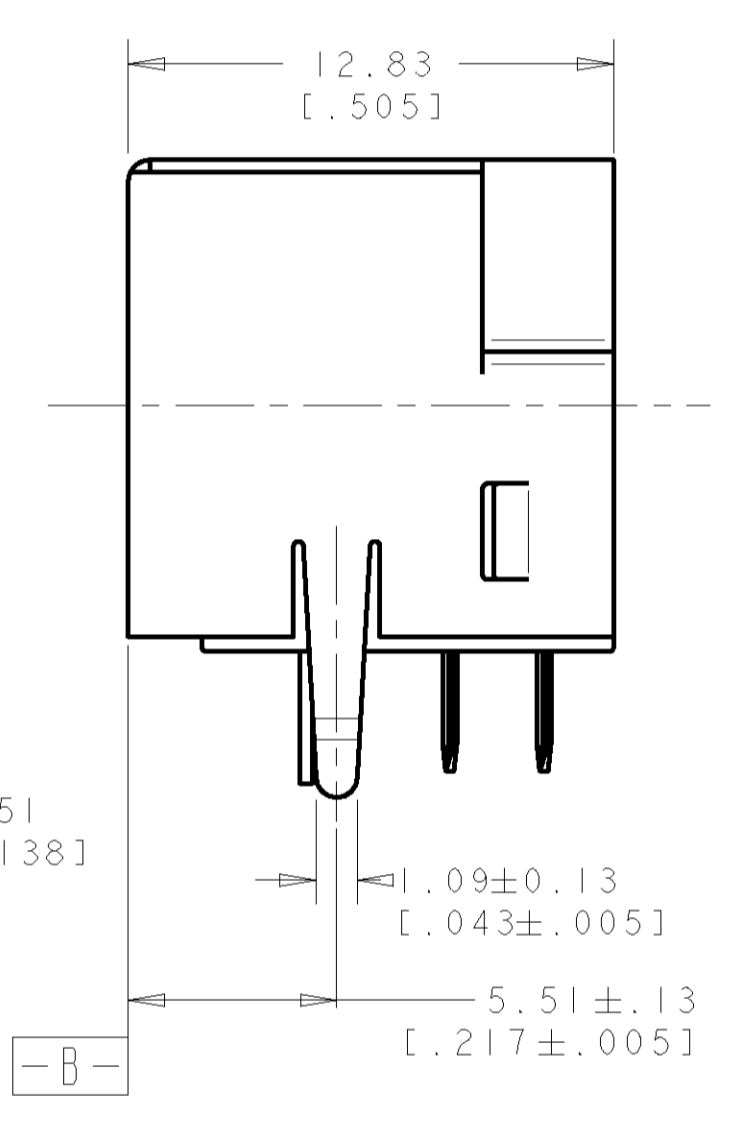
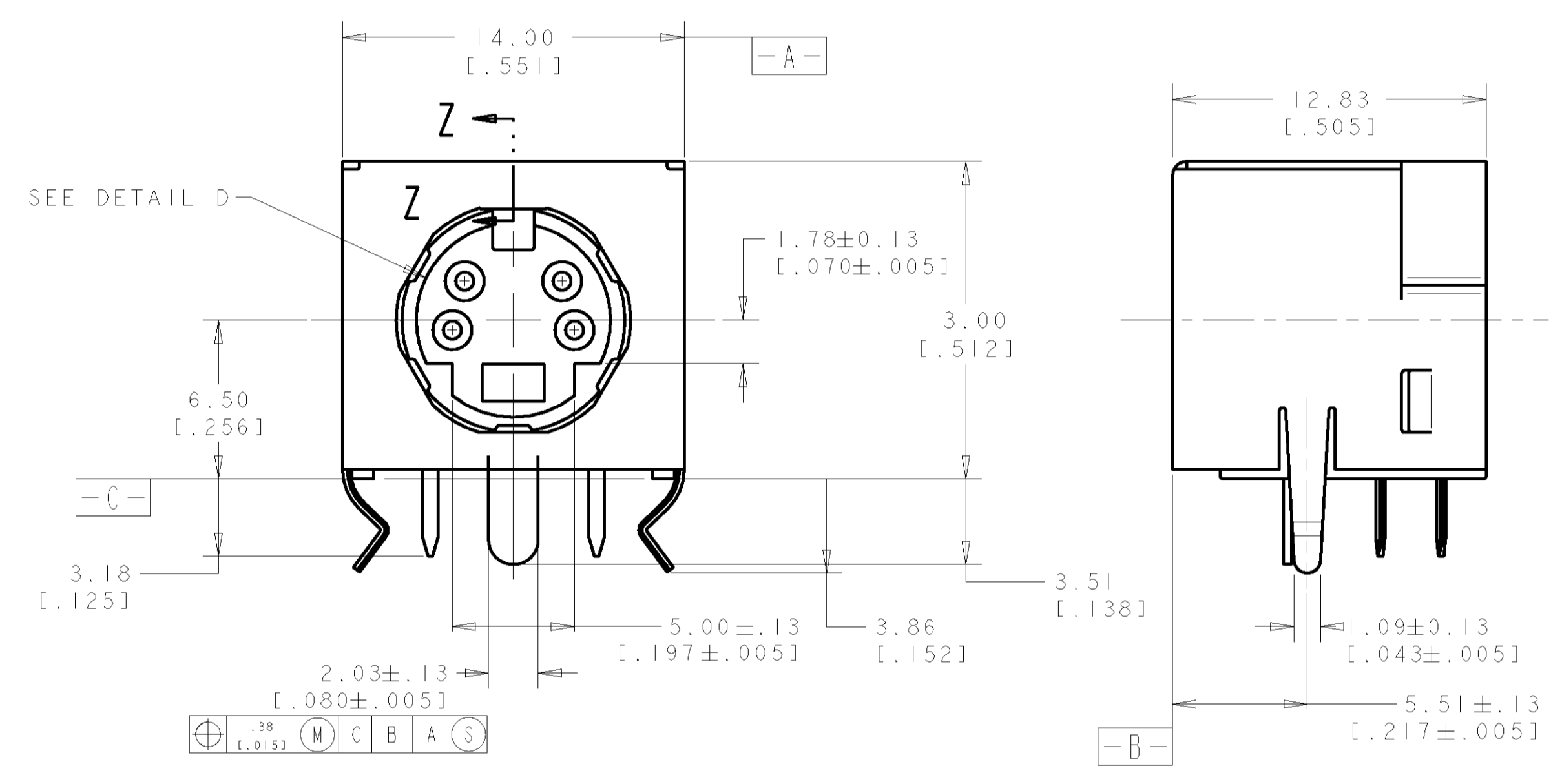


LOC	DIST	REV	DESCRIPTION	DATE	DNM	APRD
2						
P			REVISED PER ECO-11-005139	19MAR11	RK	HMR



- ⚠ RECEPTACLE CONTACTS: COPPER ALLOY.
RECEPTACLE SHIELD: COPPER ALLOY.
HOUSING: THERMOPLASTIC, COLOR: SEE TABLE, UL 94V-0 RATED.
- ⚠ PLATING:
RECEPTACLE CONTACTS - GOLD PLATED .00076 MIN [0.00030 MIN] THICK ON MATING END, MATTE-TIN PLATED .0030 MIN [0.00120 MIN] THICK ON SOLDER TAIL ALL OVER .0013 MIN [0.00050 MIN] THICK NICKEL.
- ⚠ PLATING:
SHIELD: PRE-TIN PLATED
- 4. RECEPTACLE ASSEMBLY MATES WITH 4 PIN 9.00±.10 [0.354±.004] DIAMETER PLUG.
- ⚠ DATUMS AND BASIC DIMENSION SUPPLIED BY CUSTOMER.



DETAIL C
SCALE 50:1

BLACK	5749181-1
HOUSING COLOR	PART NO

DIMENSIONS: mm [INCHES]		TOLERANCES UNLESS OTHERWISE SPECIFIED:		DWN WYLLIE 31DEC2004 CEN SF LEONG	
0 PLC	±	0 PLC	±	APRD SF LEONG	NAME RECEPTACLE ASSY W/ HOLD DOWN, 4 POS RIGHT ANGLE, MINIATURE CIRCULAR DIN
2 PLC	±	2 PLC	±	PRODUCT SPEC	108-1225
5 PLC	±	5 PLC	±0.38 [0.015]	APPLICATION SPEC	114-40031
4 PLC	±	4 PLC	±	SIZE	A1
ANGLES	±	ANGLES	±	CAGE CODE	00779
				DRAWING NO	5749181
MATERIAL		FINISH		WEIGHT	
				CUSTOMER DRAWING	

单击下面可查看定价，库存，交付和生命周期等信息

[>>TE Connectivity\(泰科\)](#)