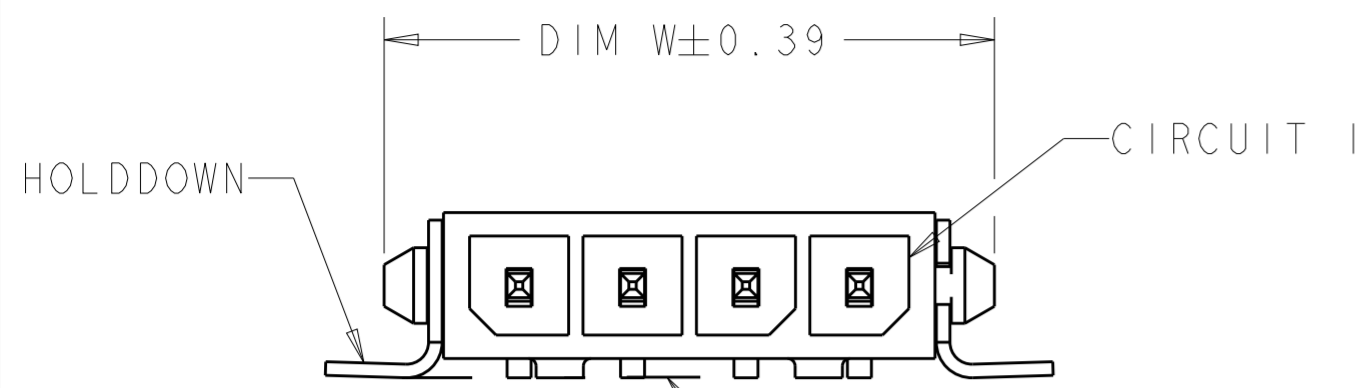
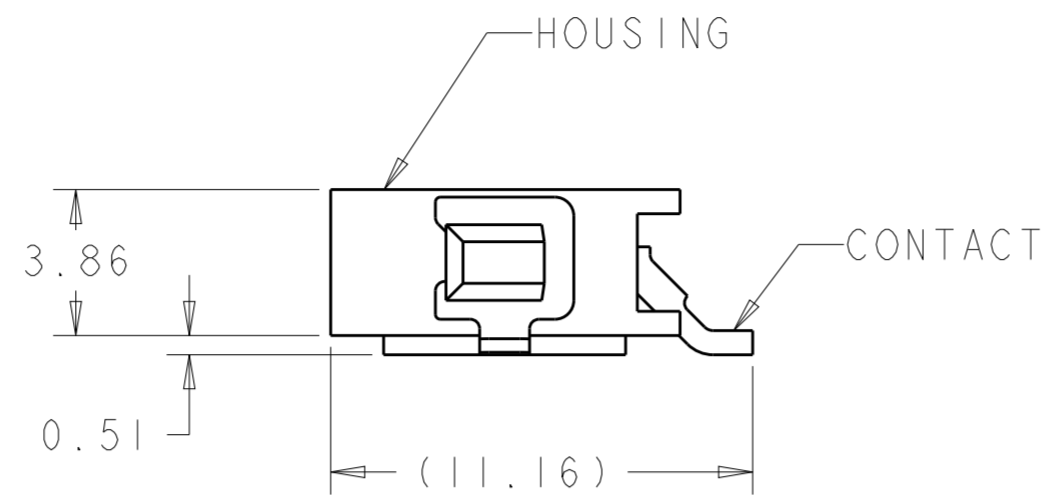


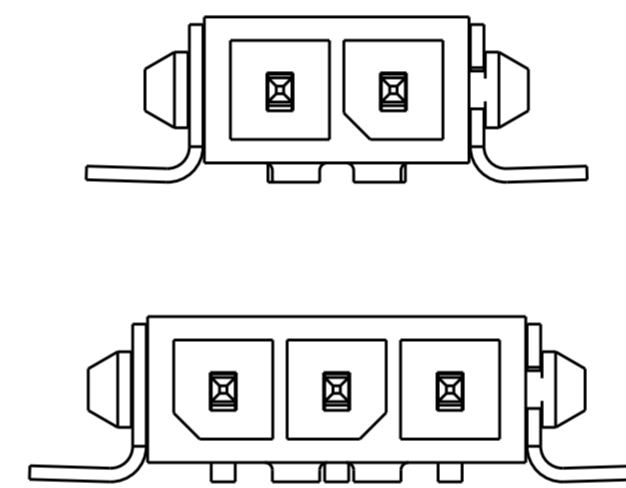
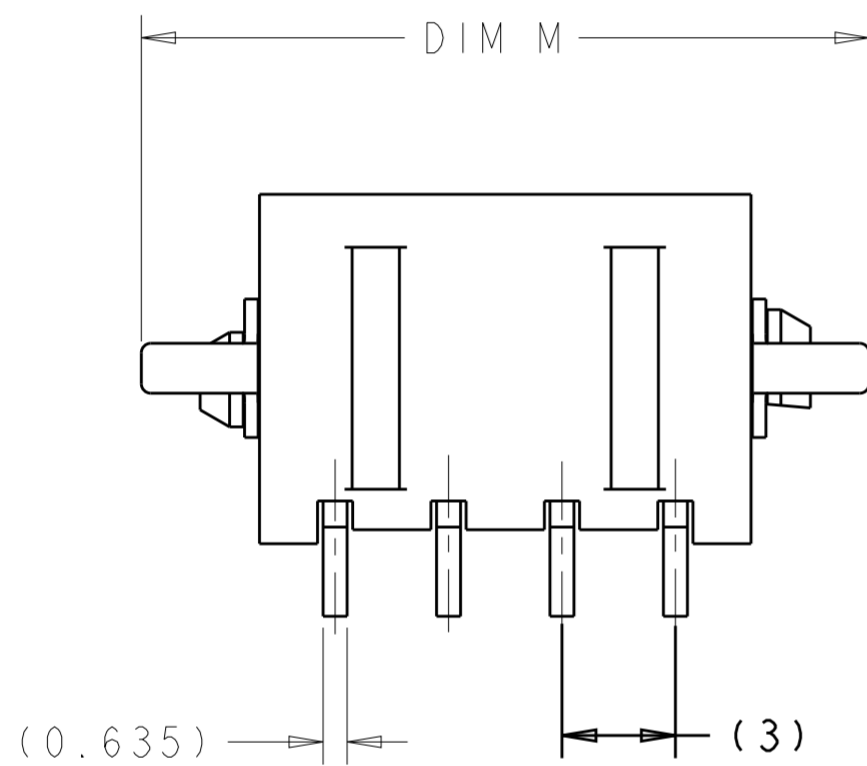
P	LTR	DESCRIPTION	DATE	DWN	APVD
A		WR-08-62	19NOV2008	KW	CJ
AI		ECO-19-006934	06MAY2019	AP	WS



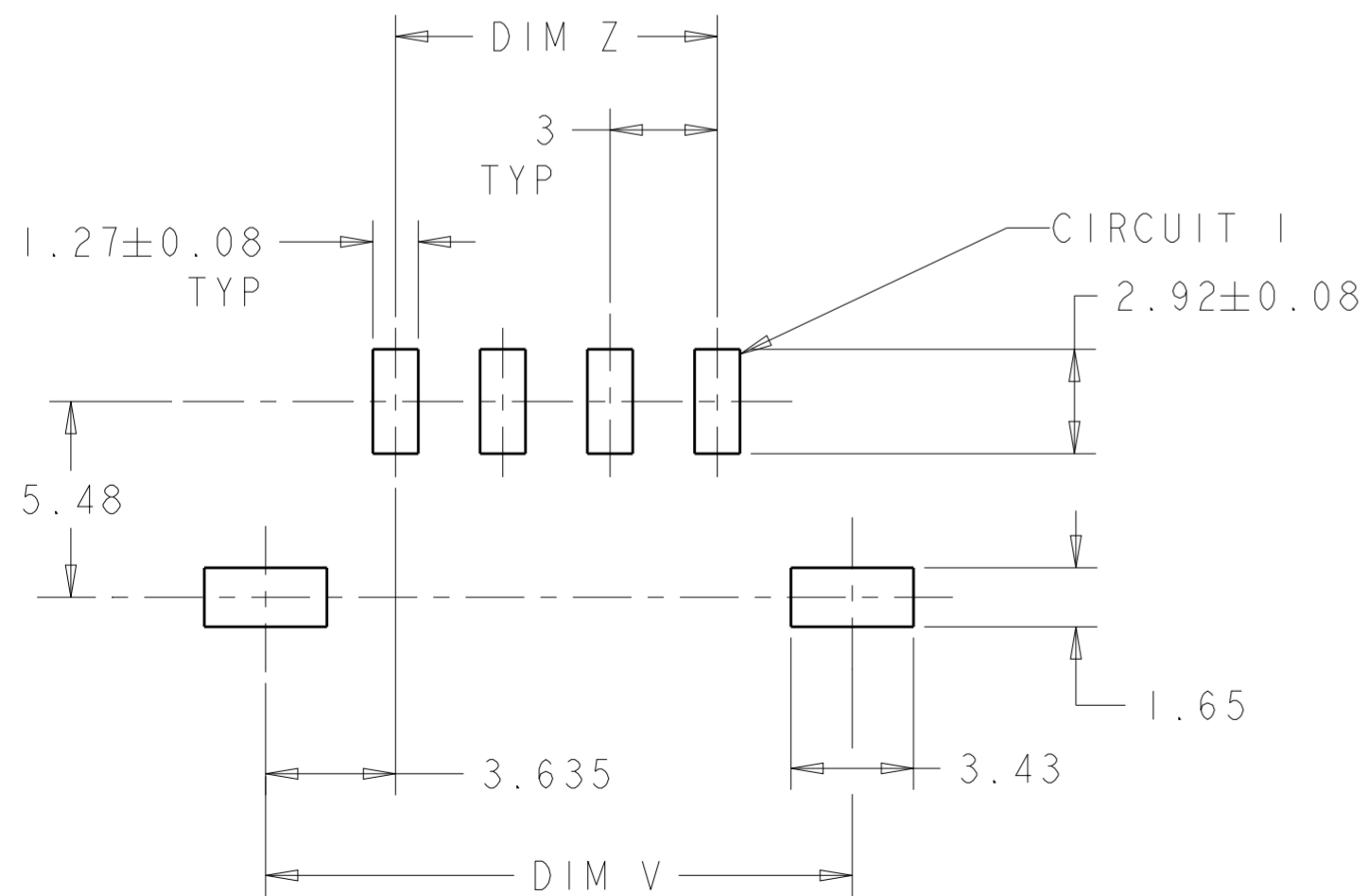
0.15  
INCLUDES CONTACT TAILS,  
HOUSING STANDOFFS, AND  
BOARDLOCKS



- 1 MATERIAL: CONTACTS - BRASS  
HOUSING - UL 94V-0 RATED HIGH TEMP NYLON,  
COLOR BLACK.  
HOLDDOWNS - PHOSPHOR BRONZE.
- 2 PLATING: CONTACTS - 0.76µm MINIMUM GOLD ON MATING END,  
2.54µm MINIMUM MATTE TIN ON SOLDER  
TAILS, BOTH OVER 1.27µm MINIMUM NICKEL.  
HOLDDOWNS - 2.54µm MINIMUM MATTE TIN OVER 1.27µm  
MINIMUM NICKEL.
- 3 RECOMMENDED PC BOARD THICKNESS OF 1.57.



KEYING BY POSITION SIZE



PCB LAYOUT COMPONENT SIDE 3

19.25	9	16	16.41	4	2029266-4
16.25	6	13	13.41	3	2029266-3
13.25	3	10	10.41	2	2029266-2
DIM M	DIM Z	DIM W	DIM V	NO. OF POSN	PART NUMBER

THIS DRAWING IS A CONTROLLED DOCUMENT.

DIMENSIONS:	TOLERANCES UNLESS OTHERWISE SPECIFIED:	DWN	19NOV2008	TE Connectivity
mm	0 PLC ±	CHK	K. WHITAKER 19NOV2008	
	1 PLC ±	APVD	C. JONES 19NOV2008	
	2 PLC ±0.13	PRODUCT SPEC	C. JONES 19NOV2008	
	3 PLC ±	APPLICATION SPEC	108-1836	NAME
	4 PLC ±	WEIGHT	114-13000	RTANG SURF MNT HDR ASSY, SIDE LOCK, 0.76 GOLD, SURF MOUNT HOLDDOWNS, SINGLE ROW, MICRO MATE-N-LOK(TM)
MATERIAL	ANGLES ±	SCALE	5:1	SIZE
	FINISH	SHEET	OF	CAGE CODE
		REV	AI	DRAWING NO
				A200779
				C-2029266
				RESTRICTED TO
				-
				CUSTOMER DRAWING

单击下面可查看定价，库存，交付和生命周期等信息

[>>TE Connectivity\(泰科\)](#)