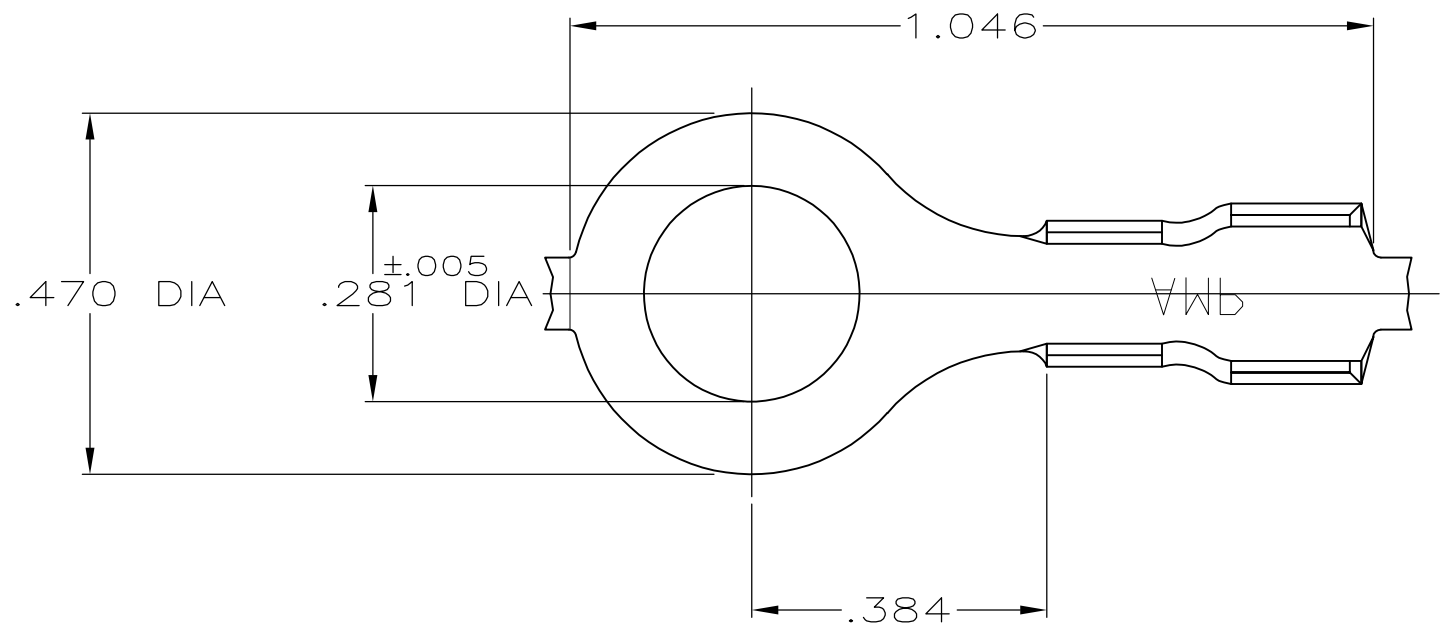
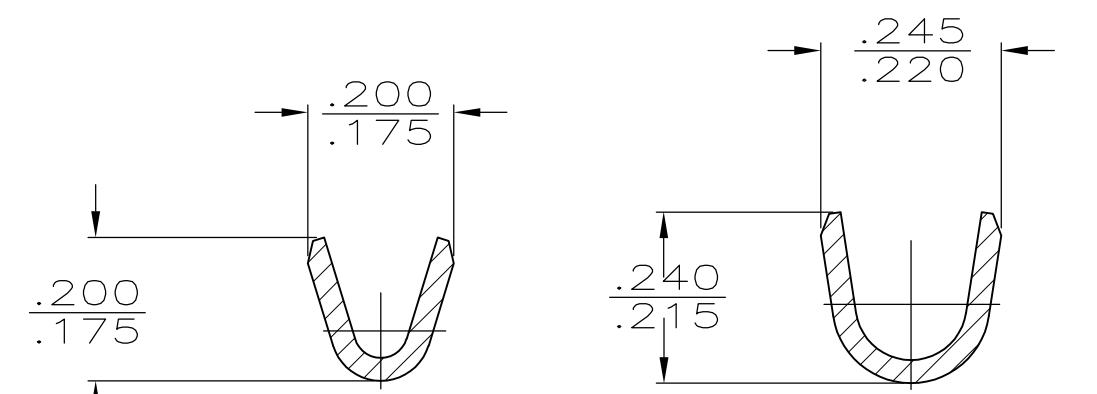
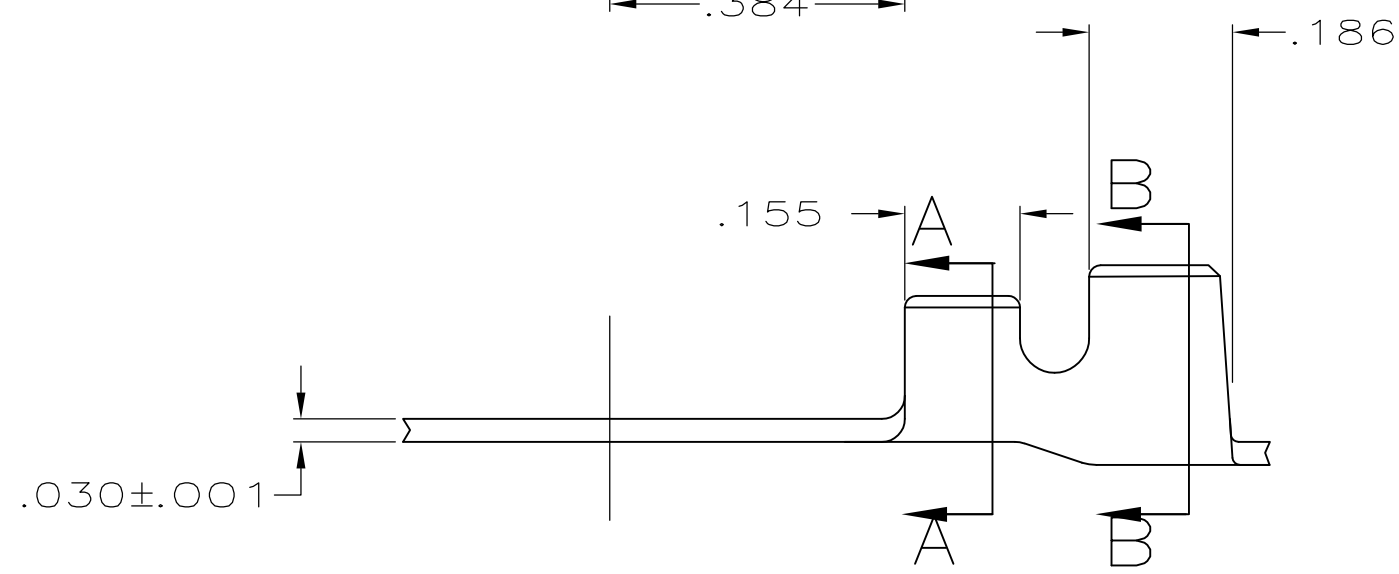


THIS DRAWING IS UNPUBLISHED. RELEASED FOR PUBLICATION
 © COPYRIGHT BY TYCO ELECTRONICS CORPORATION. ALL INTERNATIONAL RIGHTS RESERVED.

LOC	DIST	REVISIONS					
AF	50	P	LTR	DESCRIPTION	DATE	DWN	APVD
		L1		REVISED PER ECR-19-017984	28NOV2019	PC	MK



1. CONTINUOUS STRIP ON REELS



SECTION A-A SECTION B-B

OBSOLETE			-42938-1
	.120-.180 DIA	16-14 AWG	42938-2
	INSULATION RANGE	WIRE SIZE	PART NO

F or O	.210	.220	F	.155	.087	14
					.081	16
TYPE	WIDTH	STRIP LENGTH ±.015	TYPE	WIDTH	±.002 HEIGHT	WIRE
INSUL BARREL CRIMP			WIRE BARREL CRIMP			

THIS DRAWING IS A CONTROLLED DOCUMENT.

DIMENSIONS: INCHES

TOLERANCES UNLESS OTHERWISE SPECIFIED:

0 PLC	± -
1 PLC	± -
2 PLC	± -
3 PLC	± .015
4 PLC	± -
ANGLES	± -

MATERIAL: #2 HARD BRASS

FINISH: TIN

DWN P FORTNEY 4/16/90

CHK JR RUTH 4/16/90

APVD G YETTER 4/16/90/16/90

PRODUCT SPEC

APPLICATION SPEC

WEIGHT -

STE TE Connectivity

NAME: RING

SIZE	CAGE CODE	DRAWING NO	RESTRICTED TO
A3	00779	C-42938	-

CUSTOMER DRAWING SCALE 4:1 SHEET 1 OF 1 REV L1

单击下面可查看定价，库存，交付和生命周期等信息

[>>TE Connectivity\(泰科\)](#)