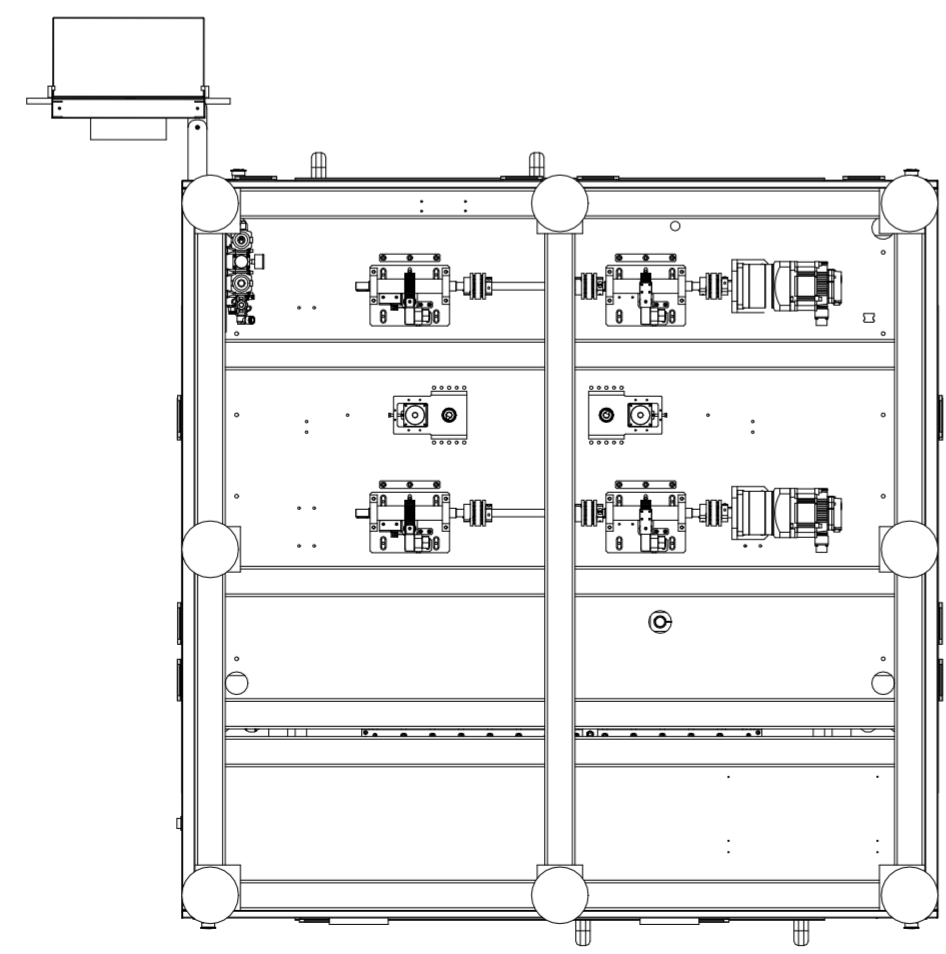
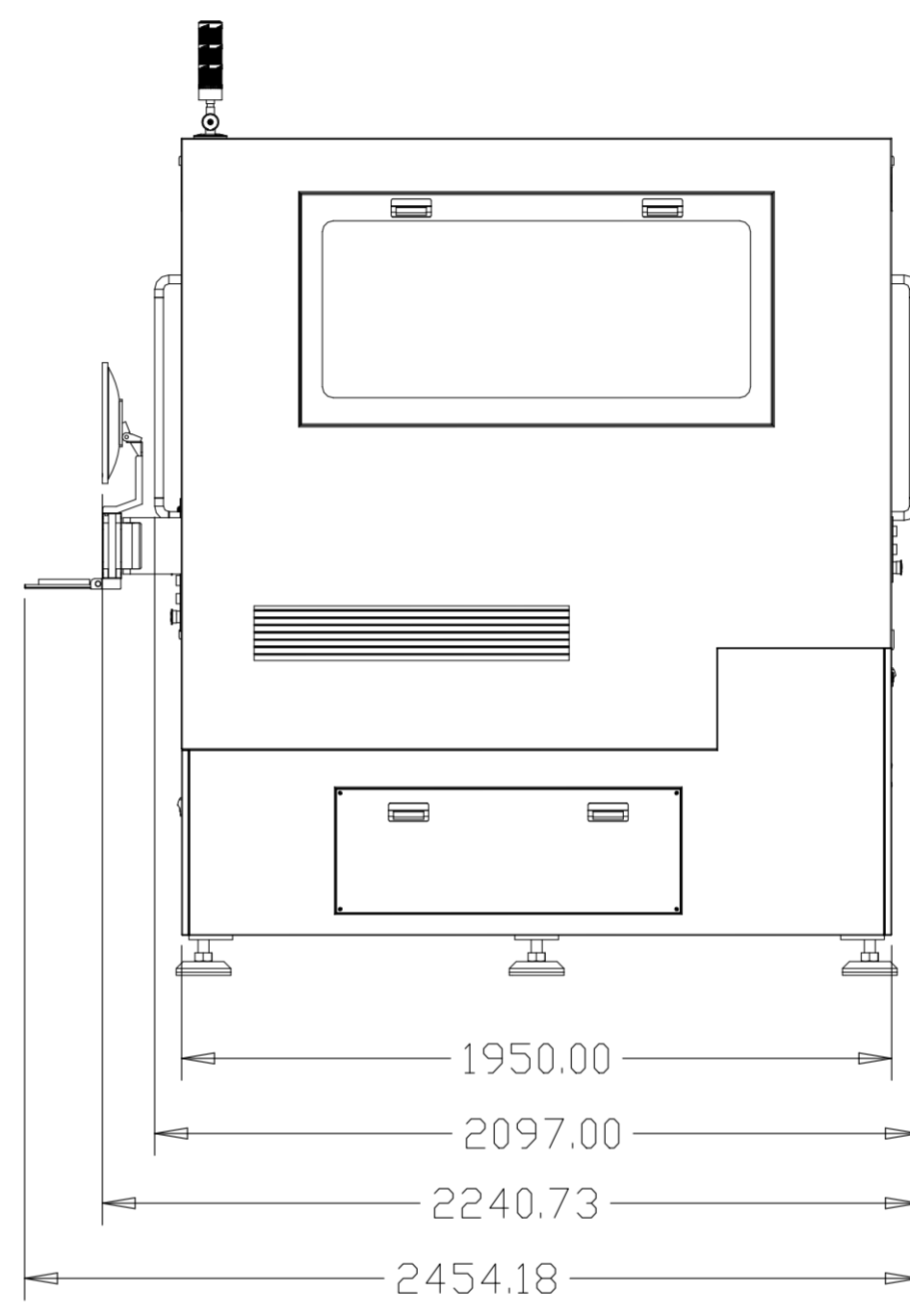
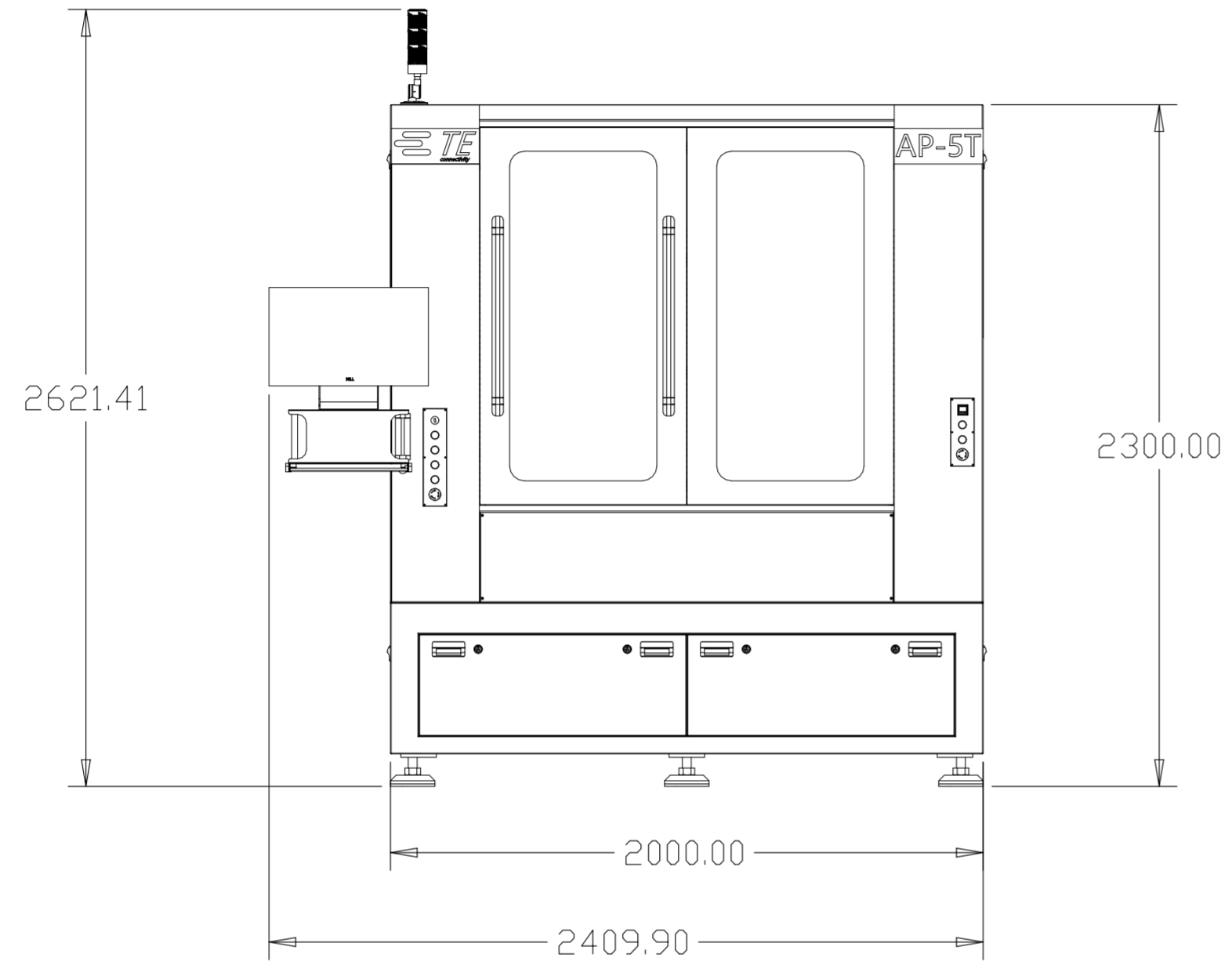


© 2023 TE Connectivity. All Rights Reserved.

PART NUMBER	REV	FIRST USED	DESCRIPTION
2418020-1	B	-	AP-3T L TO R
2418020-3	B	-	AP-3T R TO L
1-2418020-1	B	-	AP-5T L TO R
1-2418020-3	B	-	AP-5T R TO L

REVISIONS				
P	LTR	DESCRIPTION	DATE	APVD
A		INITIAL RELEASE	18MAY2023	M.Y J.W
B		DOCUMENTATION UPDATE	19JUL2024	W.Z M.Y



1. FOR RECOMMENDED SPARE PARTS, SEE SHEET 2.
2. REFERENCE ELECTRICAL SCHEMATIC 2418023-1
3. REFERENCE PNEUMATIC SCHEMATIC 2418022-1
4. THERE ARE TWO TYPES OF MATERIAL FEEDING FOR AP MACHINE. EITHER PCB WILL ENTER FROM THE LEFT AND EXIT FROM THE RIGHT, OR ENTER FROM THE RIGHT AND EXIT FROM THE LEFT


THIS DRAWING IS A CONTROLLED DOCUMENT.		DWN M.YANG 18MAY2023	STE TE Connectivity	
DIMENSIONS: mm		CHK J.WANG 18MAY2023		
TOLERANCES UNLESS OTHERWISE SPECIFIED:		APVD J.WANG 18MAY2023	NAME AP-3T/5T AUTOMATIC IN-LINE SERVO PRESS	
0 PLC ±		PRODUCT SPEC	SIZE	
1 PLC ±		APPLICATION SPEC	CAGE CODE	
2 PLC ±			DRAWING NO	
3 PLC ±			RESTRICTED TO	
4 PLC ±			A200779 C-2418020	
ANGLES ±		WEIGHT	SCALE 1:20	
FINISH		CUSTOMER DRAWING	SHEET 1 OF 2	
			REV A	

REVISIONS

P	LTR	DESCRIPTION	DATE	DWN	APVD
		SEE SHEET 1			

SPARE PARTS LIST

ITEM NO	TE PN	DESCRIPTION	-1
1	4-2418024-0	COPPER BUSHING	5
2	4-2418024-1	SYNCHRONOUS WHEEL	1
3	4-2418024-2	SYNCHRONOUS WHEEL	1
4	4-2418024-3	SYNCHRONOUS BELT	2
5	4-2418024-4	SYNCHRONOUS BELT	2
6	4-2418024-5	AIR CYLINDER	1
7	4-2418024-6	MAGNETIC SWITCH	4
8	4-2418024-7	SYNCHRONOUS WHEEL	1
9	4-2418024-8	SYNCHRONOUS WHEEL	1
10	4-2418024-9	IDLE GEAR	1
11	5-2418024-0	SYNCHRONOUS BELT	1
12	5-2418024-1	SYNCHRONOUS WHEEL	1
13	5-2418024-2	SYNCHRONOUS WHEEL	1
14	5-2418024-3	SYNCHRONOUS WHEEL	1
15	5-2418024-4	SYNCHRONOUS BELT	2
16	5-2418024-5	AIR CYLINDER	1
17	5-2418024-7	AIR CYLINDER	1
18	5-2418024-8	MAGNETIC SWITCH	2
19	5-2418024-9	AIR CLAMP	2

THIS DRAWING IS A CONTROLLED DOCUMENT.		DWN E.CHEN 10OCT2023	 TE Connectivity	
DIMENSIONS: MM		CHK M.YANG 10OCT2023		
TOLERANCES UNLESS OTHERWISE SPECIFIED: 0 PLC ± 1 PLC ± 2 PLC ± 3 PLC ± 4 PLC ± ANGLES ± FINISH		APVD M.YANG 10OCT2023	NAME AP-3T/5T AUTOMATIC IN-LINE SERVO PRESS	
MATERIAL		PRODUCT SPEC -	APPLICATION SPEC -	RESTRICTED TO -
		WEIGHT -	SIZE A2	CAGE CODE 00779
		CUSTOMER DRAWING	DRAWING NO C-2418020	SCALE 1:20 SHEET 2 OF 2 REV A

单击下面可查看定价，库存，交付和生命周期等信息

[>>TE Connectivity\(泰科\)](#)