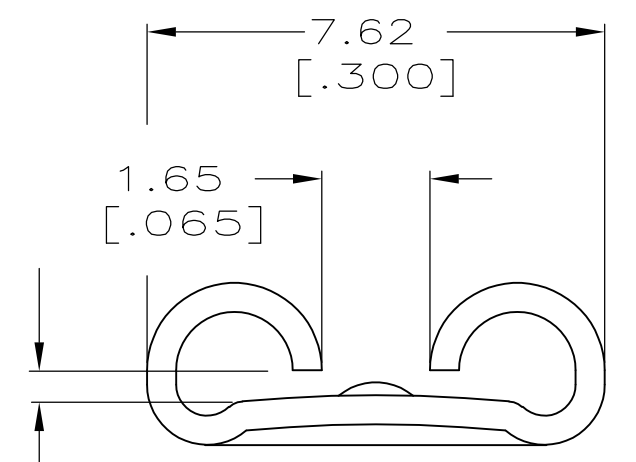
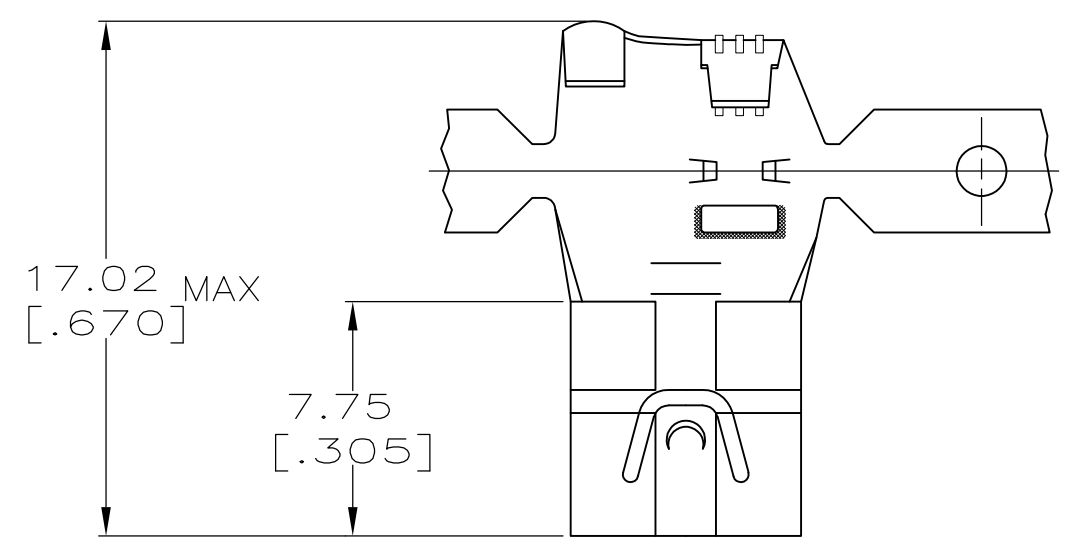


THIS DRAWING IS UNPUBLISHED. RELEASED FOR PUBLICATION
 © COPYRIGHT - By - ALL RIGHTS RESERVED.

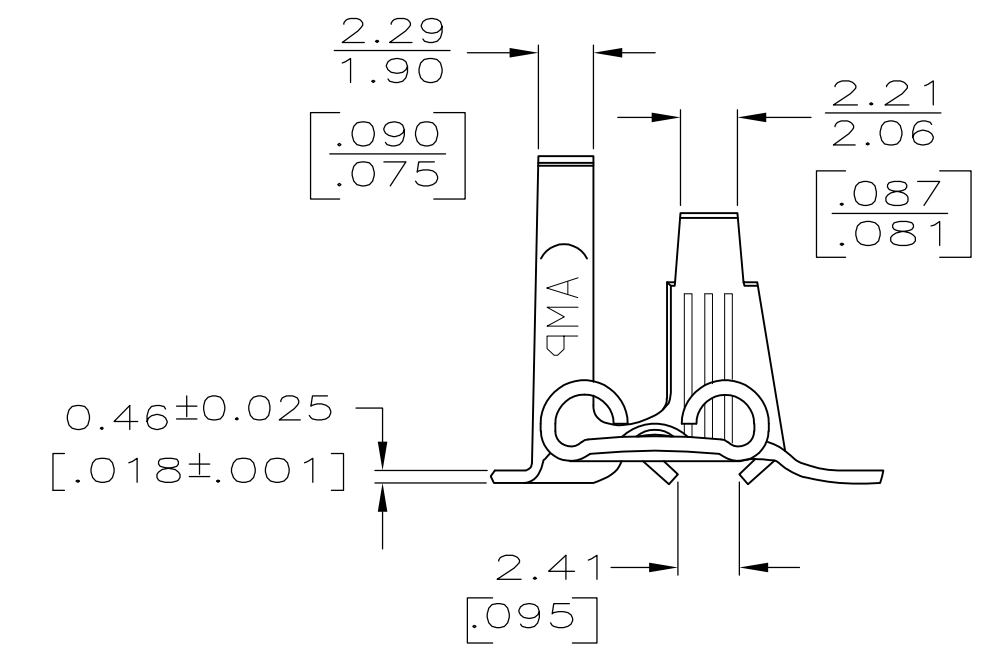
LOC	DIST	REVISIONS					
AF	50	P	LTR	DESCRIPTION	DATE	DWN	APVD
		E		REVISED PER ECR-12-013518	23NOV2012	KH	PD



FITS 6.35 [.250] SERIES FASTON TAB

VIEW A-A
SCALE 8:1

1 CONTINUOUS STRIP ON REELS.



TIN	2.79-5.33	0.8mm ² - 3.0mm ²	0.81	63555-2
	[.110-.210]	18-12 AWG	[.032]	63555-1
FINISH	INSULATION RANGE	WIRE SIZE	MATING TAB THK ±0.025 [.001]	PART NO

THIS DRAWING IS A CONTROLLED DOCUMENT.		DWN P FORTNEY 11/9/89	STE TE Connectivity		
		CHK JR RUTH 11/9/89			
DIMENSIONS: mm [INCHES]	TOLERANCES UNLESS OTHERWISE SPECIFIED:	APVD C MYERS 11/9/89	NAME RECEPTACLE, FASTON,™ FLAG, 6.35 [.250] SERIES		
	0 PLC ± -	PRODUCT SPEC R KUZO 11/9/89	SIZE A3		
	1 PLC ± -	APPLICATION SPEC	CAGE CODE 00779	DRAWING NO C-63555	RESTRICTED TO
2 PLC ± -	3 PLC ± 0.25 [.010]	WEIGHT -	SCALE 4:1		
4 PLC ± -	ANGLES ± -	SHEET 1 OF 1			
MATERIAL BRASS	FINISH SEE TABLE	REV E			
CUSTOMER DRAWING					

单击下面可查看定价，库存，交付和生命周期等信息

[>>TE Connectivity\(泰科\)](#)