

THIS DRAWING IS UNPUBLISHED.

RELEASED FOR PUBLICATION

JAN ,2006.

REVISIONS

© COPYRIGHT 2006 By -

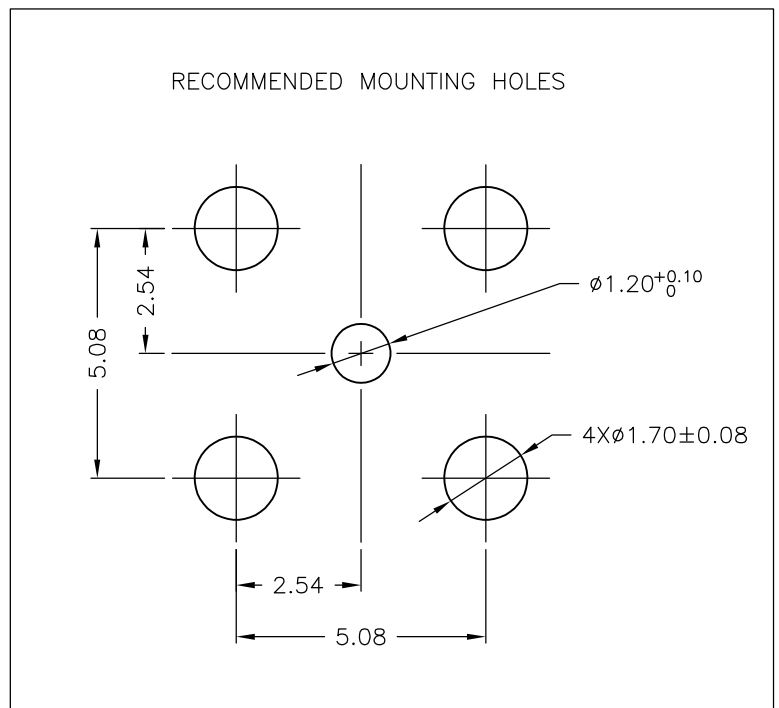
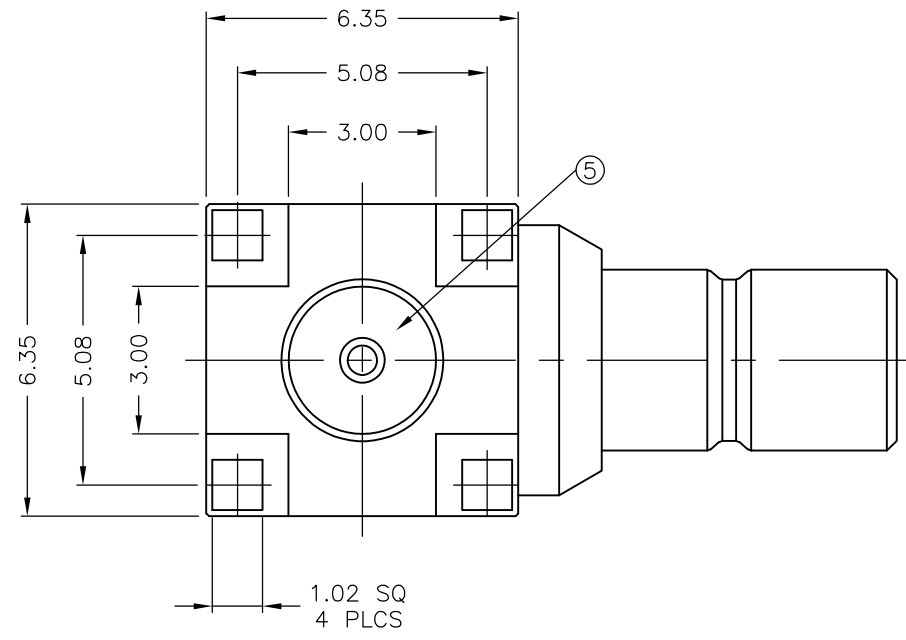
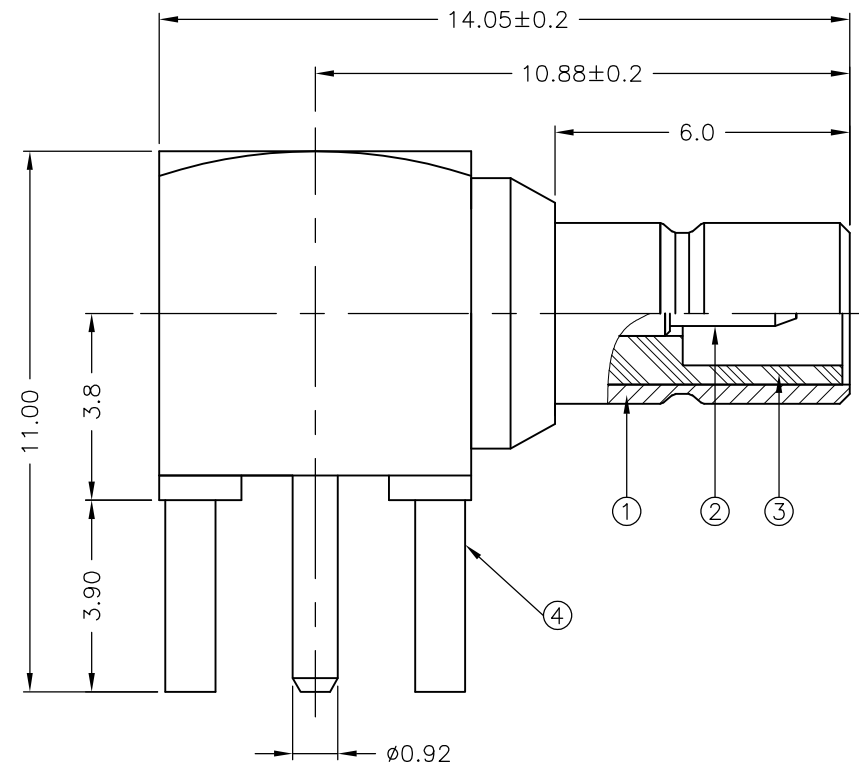
ALL RIGHTS RESERVED.

TODOS LOS DERECHOS RESERVADOS.

P	LTR	DESCRIPTION	DATE	DWN	APVD
	F	PER ECR-15-006368	05MAY05	RZ	MC

NOTES:

- ① SINGLE PACKING: ONE CONNECTOR PER LABELED BAG PACKAGED. LABELED PER TEC-107-115
- ② TRAY PACKAGED
- ③ Au PLATING
- 4 ELECTRICAL CHARACTERISTICS
  - FREQUENCY RANGE: DC - 4 GHz
  - NOMINAL IMPEDANCE: 50 Ohm
  - INSULATION RESISTANCE: 1000 MOhm
  - WORKING VOLTAGE: 250 Volts RMS at Sea Level
  - DIELECTRIC WITHSTAND VOLTAGE: 750 Volts RMS Max
  - CONTACT RESISTANCE:
    - CENTER CONTACT: 6.00 mOhm Max
    - OUTER CONTACT: 1.00 mOhm Max
- 5 MECHANICAL CHARACTERISTICS
  - DURABILITY: 500 Cycles Min
- 6 ENVIRONMENTAL CHARACTERISTICS
  - OPERATING TEMPERATURE: -65 to +165 DegC
- 7 FOR TECHNICAL DATA REFER TO YOUR LOCAL TE CONNECTIVITY SALES OFFICE
- 8 ALL DIMENSIONS ARE NOMINAL FOR REFERENCE ONLY UNLESS OTHERWISE STATED



QTY	QTY PER ASSY	MATERIAL	DESCRIPTION	ITEM
1	1	PTFE	INSULATION	5
1	1	BRASS	BODY	4
1	1	PTFE	INSULATION	3
1	1	BRASS	CONTACT	2
1	1	BRASS	BODY	1
6--0	1--0			

THIS DRAWING IS A CONTROLLED DOCUMENT.		DWN J.SANDWELL 12JAN06
DIMENSIONS: mm		CHK S.PARLOW 12JAN06
TOLERANCES UNLESS OTHERWISE SPECIFIED:		APVD F.WHEELER-KING 12JAN06
0 PLC ± -	1 PLC ± 0.2	PRODUCT SPEC
2 PLC ± 0.15	3 PLC ± 0.1	APPLICATION SPEC
4 PLC ± -	ANGLES ± 5'	WEIGHT -
MATERIAL SEE TABLE	FINISH -	CUSTOMER DRAWING

**STE** TE Connectivity

SMB ELBOW PCB SOCKET 50 OHM

SIZE A3 CAGE CODE 00779 DRAWING NO C-1337481 RESTRICTED TO -

UNIQUEMENT SCALE NTS SHEET 1 OF 1 REV F

单击下面可查看定价，库存，交付和生命周期等信息

[>>TE Connectivity\(泰科\)](#)