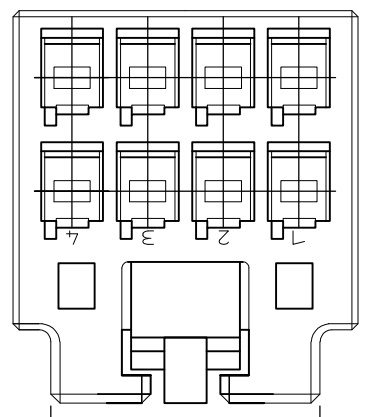
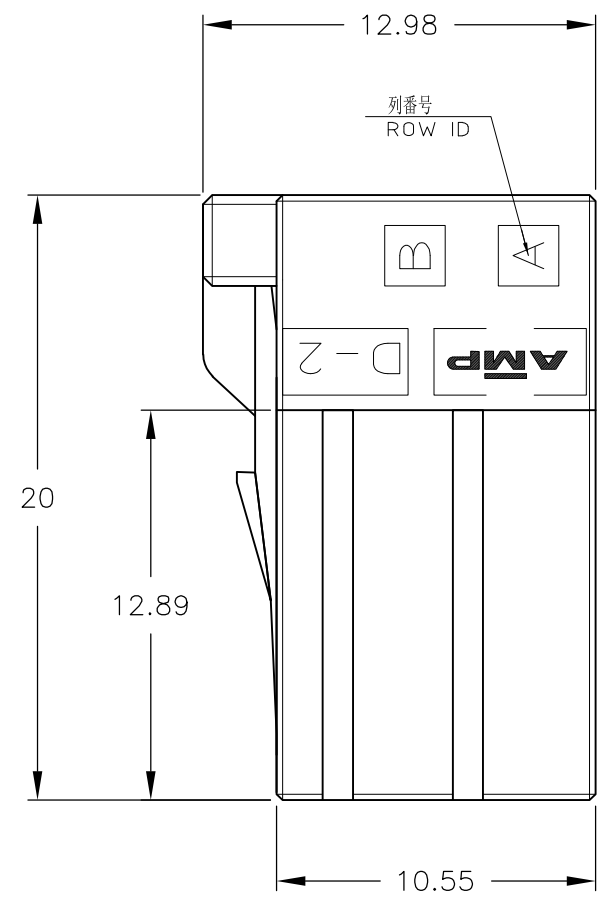
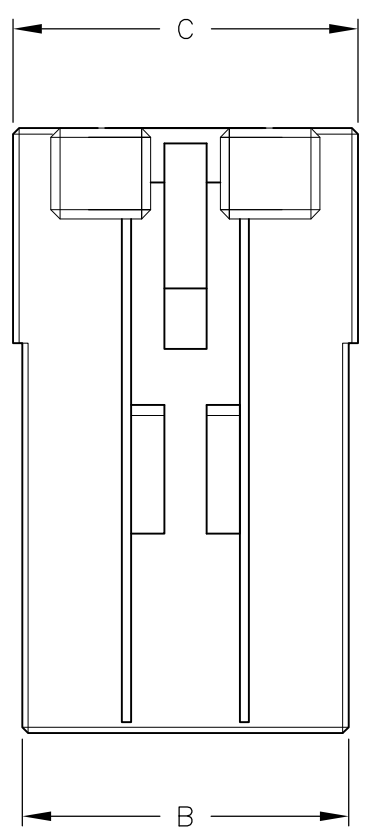


THIS DRAWING IS UNPUBLISHED. RELEASED FOR PUBLICATION  
 © COPYRIGHT - By Tyco Electronics Japan G.K. ALL RIGHTS RESERVED.

LOC	DIST	REVISIONS					
		P	LTR	DESCRIPTION	DATE	DWN	APVD
—	—	A	REVISED		27JUN2012	H.M	N.Y
—	—	B	REVISED		17APR2015	H.O	N.Y



8.9  
(LOCK PROTECTION WIDTH)

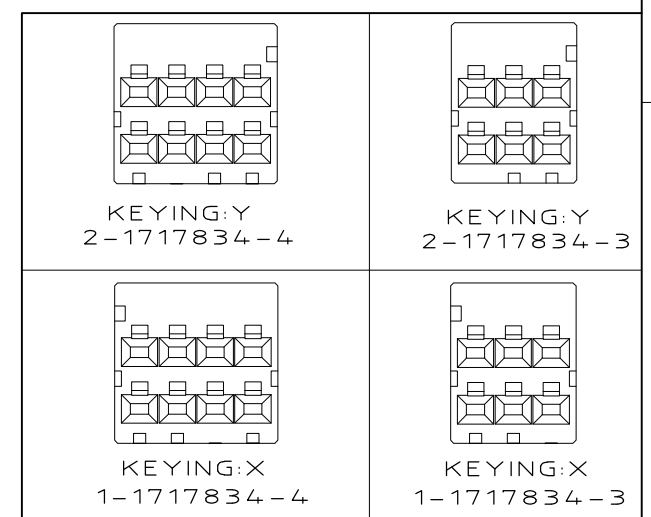


注記

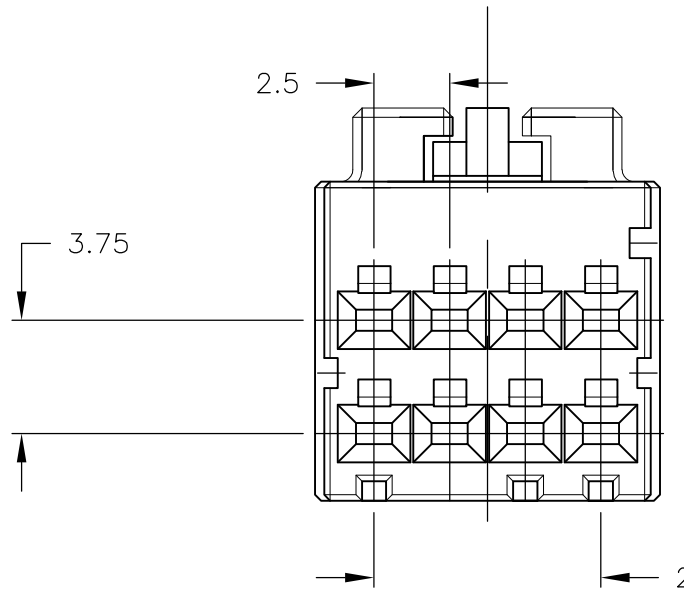
① 材料: ハウジング: ガラス入り熱可塑性ポリエステル樹脂(94V-0), 色: 黒

NOTES

① MATERIAL: HOUSING: GLASS FILED THERMO PLASTIC, POLYESTER(94V-0), COLOR: BLACK



—	11.4	10.8	7.5	3	8	2-1717834-4
—	11.4	10.8	7.5	3	8	1-1717834-4
—	8.9	8.3	5	2	6	2-1717834-3
—	8.9	8.3	5	2	6	1-1717834-3
FINISH	C	B	A	N	POS	PART NUMBER



THIS DRAWING IS A CONTROLLED DOCUMENT.

DIMENSIONS: mm

TOLERANCES UNLESS OTHERWISE SPECIFIED:

0 PLC	±	10	±0.3
1 PLC	±	30	±0.35
2 PLC	±	100	±0.4
3 PLC	±		
4 PLC	±		
ANGLES		±3'	

MATERIAL

FINISH

DWN T.SAKAMOTO 15OCT2003  
 CHK D.MITSUGI 15OCT2003  
 APVD S.MANABE 15OCT2003  
 PRODUCT SPEC  
 APPLICATION SPEC  
 WEIGHT



DOUBLE ROW REC HSG  
 WITH CUTTING OUT LOCK LEVER  
 DYNAMIC D-2100

NAME	SIZE	CAGE CODE	DRAWING NO	RESTRICTED TO
108-5619	A3	00779	C-1717834	—
114-5258	SCALE	SHEET	REV	
CUSTOMER DRAWING	4:1	1 OF 1	B	

单击下面可查看定价，库存，交付和生命周期等信息

[>>TE Connectivity\(泰科\)](#)