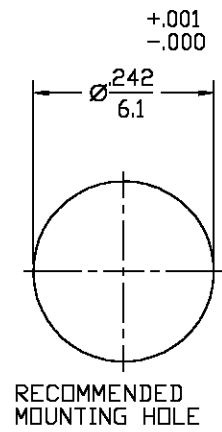
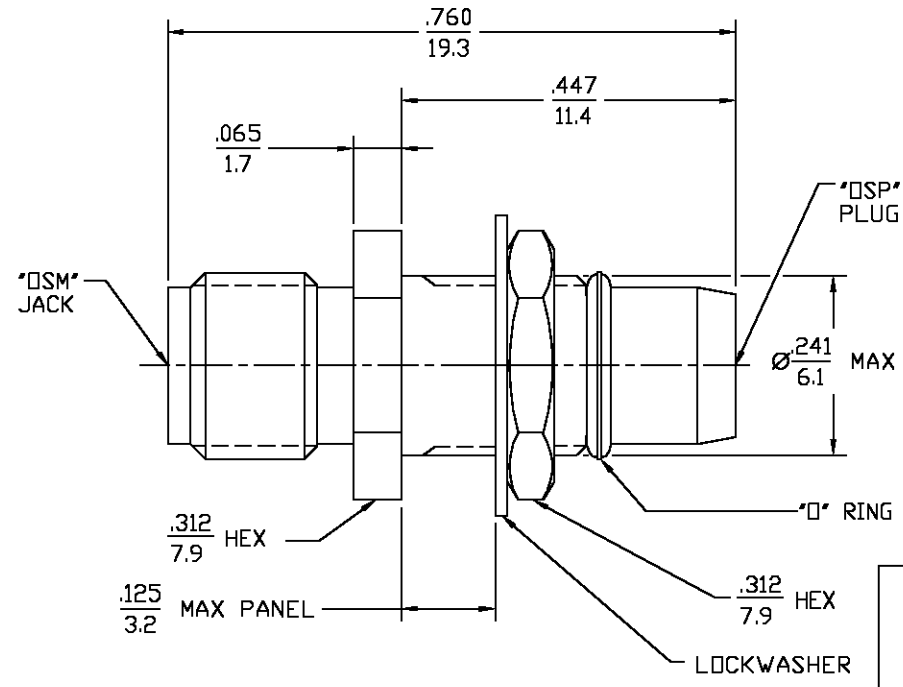


REVISIONS			
REV	DESCRIPTION	DATE	APPROVED
01 0	RELEASED	1/15/97	PCW
B	REVISED PER ECN 0020-0262-01	GV 01/06/03	JGH



HOUSING MOUNTING NUT LOCKWASHER	STAINLESS STEEL PER ASTM-A484 AND ASTM-A582, TYPE 303	PASSIVATE PER QQ-P-35
DIELECTRIC	TFE FLUOROCARBON PER ASTM-D-1457	N/A
CENTER CONTACT	BERYLLIUM COPPER PER ASTM-B-196 OR ASTM-B-197, ALLOY C17300, CONDITION H	GOLD PLATE PER MIL-G-45204
O-RING	FLOUROSILICONE PER MIL-R-25988, CLASS I, TYPE I.	N/A

COMPONENT	MATERIAL	FINISH
-----------	----------	--------

NOTE:
1. CAPTURED CENTER CONTACT

.XXX = in
XX.X = mm (REF)

UNLESS OTHERWISE SPECIFIED DIMENSIONS ARE IN INCHES	DRAWN BY: <i>PCW</i>	DATE: 12/18/96	AMP Incorporated 140 Fourth Avenue Waltham, MA 02451-7599
	CHECKED BY:	APPROVED BY: <i>PCW</i>	
FRAC. ± 1/64	DEC. ± .005	ANGLES ± 1'	
These drawings and specifications are the property of M/A COM Interconnect Div. and shall not be reproduced or in part as the basis for the manufacture or sale of item(s) without written permission.	USE ASS'Y PROCEDURE	TITLE: DSM JACK TO DSP BULKHEAD FEEDTHROUGH PLUG ADAPTER	
	NO. A.P. N/A	SIZE: B	CODE IDENT NO.: 26805
		4585-4030-02	REV: 01 0
		SCALE 5:1	SHEET 1 OF 1

CUSTOMER DRAWING

AMP PART # 1083442-1
SHEET 1 OF 1 REV B

单击下面可查看定价，库存，交付和生命周期等信息

[>>TE Connectivity\(泰科\)](#)