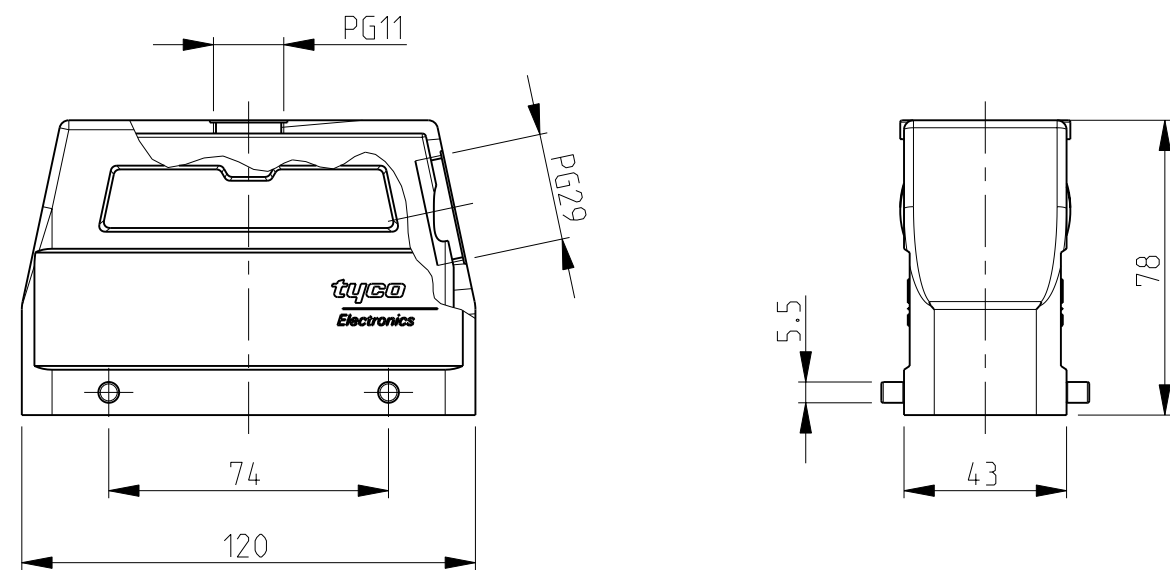


THIS DRAWING IS UNPUBLISHED. RELEASED FOR PUBLICATION 2006
 © COPYRIGHT 2006 BY TYCO ELECTRONICS CORPORATION. ALL INTERNATIONAL RIGHTS RESERVED.

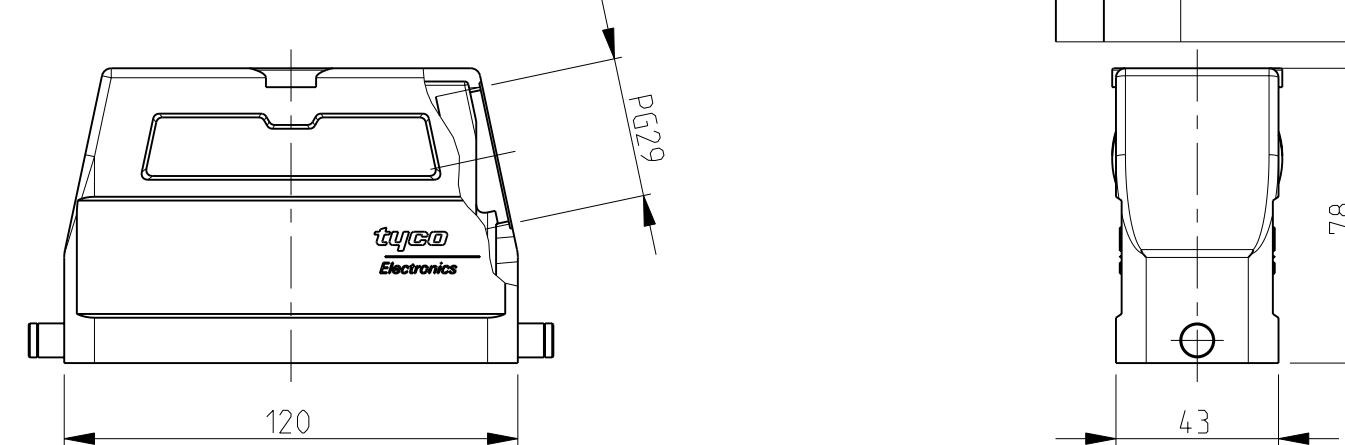
LOC A1 DIST -

REVISIONS					
P	LTR	DESCRIPTION	DATE	DWN	APVD
A6		ECR-09-020851	26MAY2010	GW	BR
A7		REVISED PER ECR-16-016780	29JAN2018	SRG	MKO
A8		ECR-17-014011	28MAR18	SG	MKO

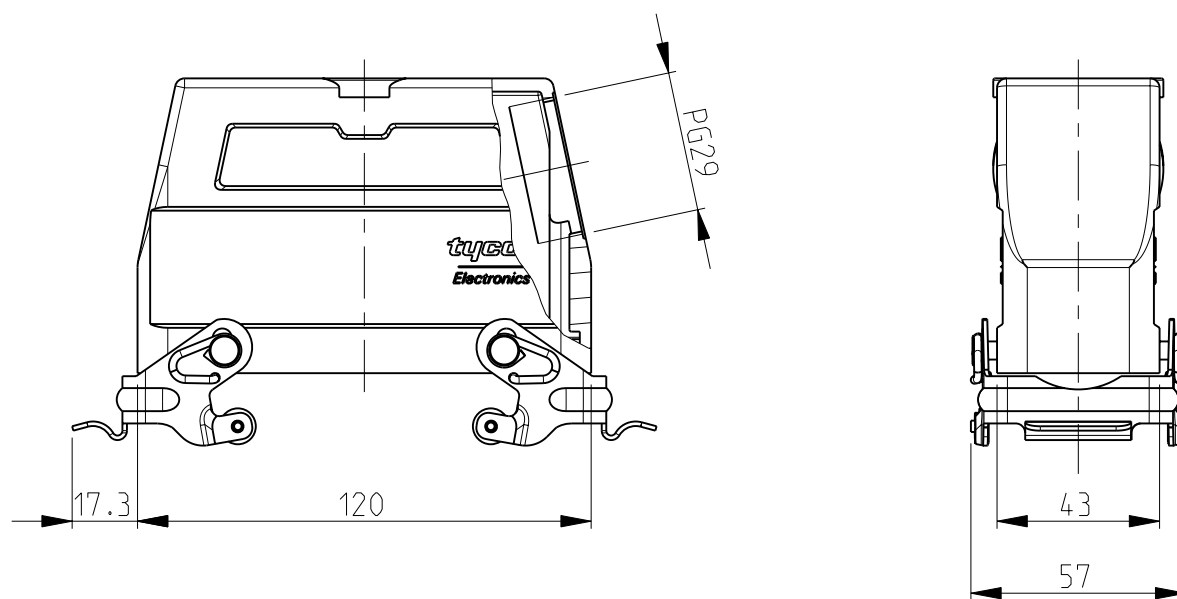
OBSOLETE PN 3-6 AS SHOWN
 PN 1-6, 2-6 WITHOUT PG11.STO



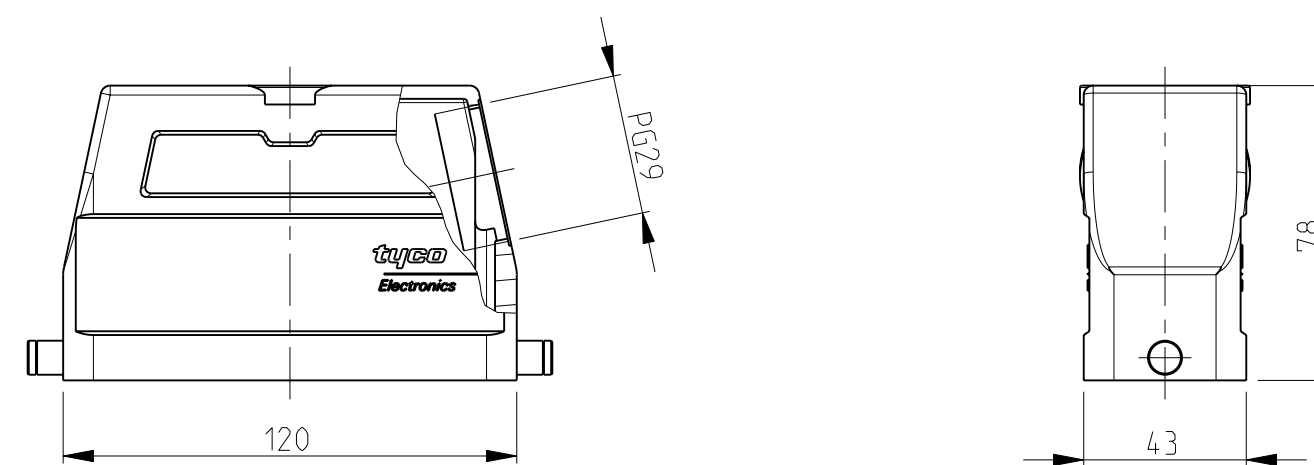
OBSOLETE PN 2-7 AS SHOWN



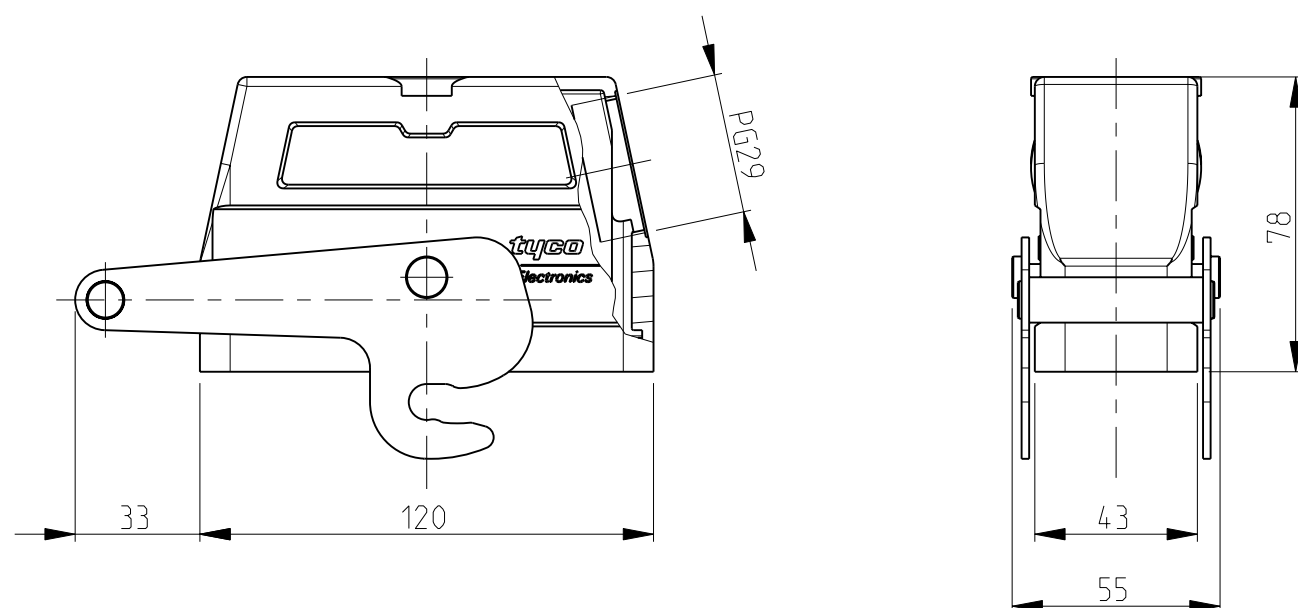
OBSOLETE PN 1-1, 2-1 AS SHOWN



OBSOLETE PN 1-7 AS SHOWN



OBSOLETE PN 1-3, 2-3 AS SHOWN
 PN 1-4 WITHOUT LOGO



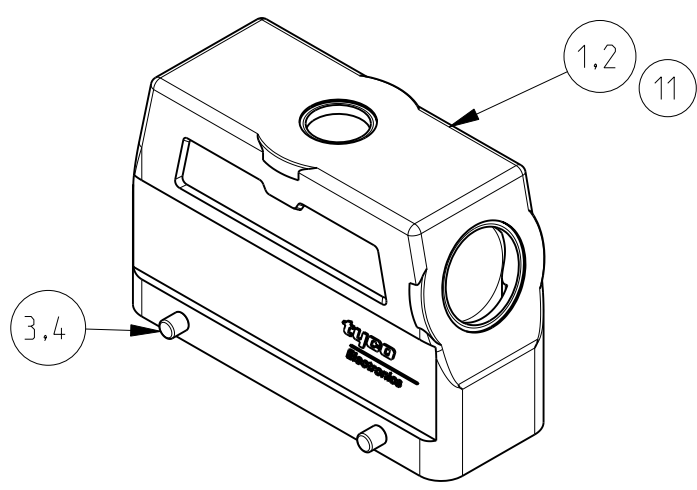
NOTES AND PART LIST SEE PAGE 2

THIS DRAWING IS A CONTROLLED DOCUMENT FOR TYCO ELECTRONICS CORPORATION IT IS SUBJECT TO CHANGE AND THE CONTROLLING ENGINEERING ORGANIZATION SHOULD BE CONTACTED FOR THE LATEST REVISION.		DWN G.WROBLEWSKI 26MAY2010	STE TE Connectivity
DIMENSIONS: mm		CHK H.BRAUN 26MAY2010	
TOLERANCES UNLESS OTHERWISE SPECIFIED: 0 PLC ± 1 PLC ± 2 PLC ± 3 PLC ± 4 PLC ± ANGLES ±° FINISH		APVD A.ROESGEN 26MAY2010	NAME CONNECTOR HOUSING ASSY SERIES HD.64, STEEL CONDUIT THREAD
MATERIAL		PRODUCT SPEC 108-74001 108-74003	SIZE A2
		APPLICATION SPEC 114-74001 114-74004	CAGE CODE 00779
		WEIGHT	DRAWING NO 1103338
		CUSTOMER DRAWING	RESTRICTED TO
		SCALE 1:2	SHEET 1 OF 2
			REV A8

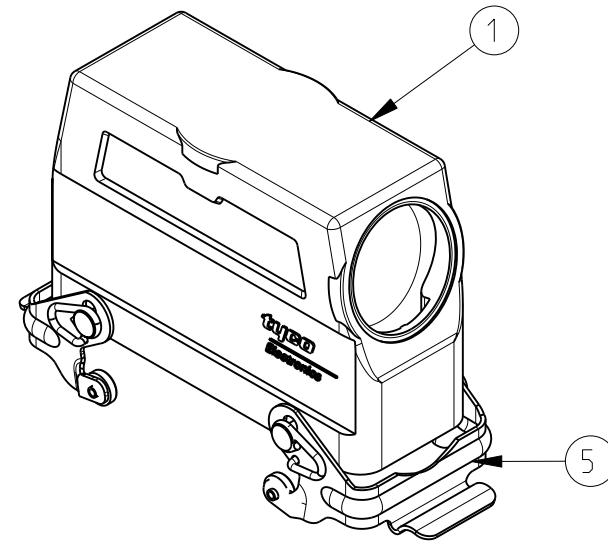
THIS DRAWING IS UNPUBLISHED. RELEASED FOR PUBLICATION 2006
 © COPYRIGHT 2006 BY TYCO ELECTRONICS CORPORATION. ALL INTERNATIONAL RIGHTS RESERVED.

LOC	DIST	REVISIONS			
P	LTR	DESCRIPTION	DATE	DWN	APVD
A1	-	SEE SHEET 1	-	-	-

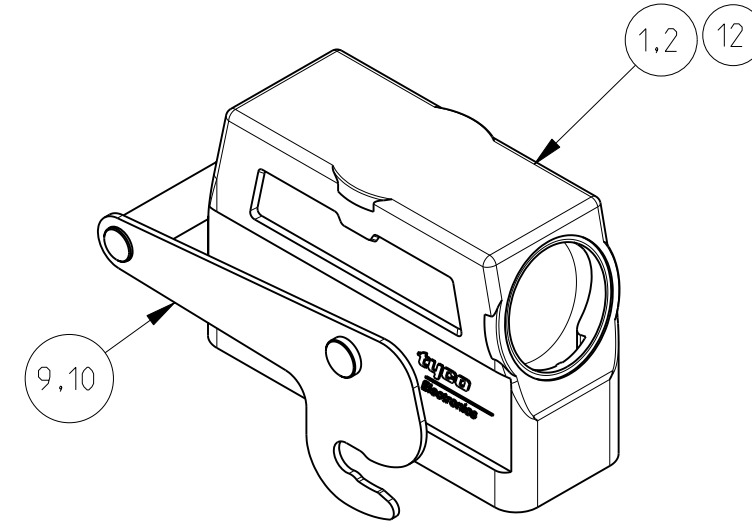
PN ~~3-6~~ AS SHOWN
 PN ~~1-6, 2-6~~ WITHOUT PG11.STO



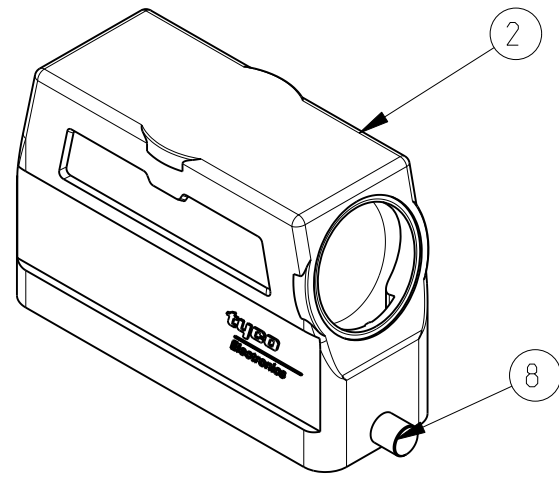
PN ~~1-1, 2-1~~ AS SHOWN



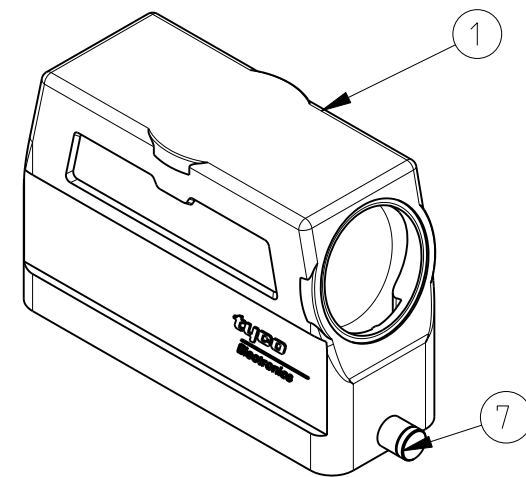
PN ~~1-3, 2-3~~ AS SHOWN
 PN ~~0-4~~ WITHOUT LOGO



PN ~~2-7~~ AS SHOWN



PN ~~1-7~~ AS SHOWN



Notes

- 1 SUITABLE HOUSINGS: SERIES HD.64
- 2 VARNISH ON THE INSIDE NOT NECESSARY
- 3 STANDARDS:
DIN EN 61984, DIN EN 60664-1
- 4 PACKAGING:
QUANTITY: 5 PIECES IN A CARTON

OBSOLETE		OBSOLETE		DESCRIPTION	MATERIAL	SURFACE	COLOR	ITEM NO	REMARKS
1				HD Hood	Aluminium		Grey	12	Without TE-indication
				HD-K Hood	Aluminium	Aluminium oxide	Black	11	Additional ST0.1.11G
	1			ZB-Central clip bolt	Stainless steel			10	
		2		ZB-Central clip bolt	Steel	Zinc plated	Blue	9	
			2	LB-Clip bolt	Stainless steel			8	
			2	LB-Clip bolt	Steel	Zinc plated	Blue	7	
			2	VS-Locking clip	Stainless steel			6	
			2	VS-Locking clip	Steel	Zinc plated	Blue	5	
4			4	VS-Clip bolt	Stainless steel			4	
			4	VS-Clip bolt	Steel	Zinc plated	Blue	3	
	1		1	HD-K Hood	Aluminium	Aluminium oxide	Black	2	
		1	1	HD Hood	Aluminium		Grey	1	

ORDERING TEXT

HD.64.STS.1.29.G
 HD-K.64.STS.1.29.G
 HD.64.STS-VS.1.29.G
 HD-K.64.STS-VS.1.29.G
 HD.64.STS-GR.1.29.G
 HD-K.64.STS-GR.1.29.G
 HD-Z.64.STS-ZB.1.29.G
 HD-K/Z.64.STS-ZB.1.29.G
 HD-K.64.STS.1.29.G+ST0.1.11.G
 HD-Z.64.STS-ZB.1.29.G

<small>THIS DRAWING IS A CONTROLLED DOCUMENT FOR TYCO ELECTRONICS CORPORATION IT IS SUBJECT TO CHANGE AND THE CONTROLLING ENGINEERING ORGANIZATION SHOULD BE CONTACTED FOR THE LATEST REVISION.</small>		DWN G.WROBLEWSKI 26MAY2010 CHK A.ROESGEN 26MAY2010 APVD H.BRAUN 26MAY2010	
DIMENSIONS: mm		TOLERANCES UNLESS OTHERWISE SPECIFIED: 0 PLC ± 1 PLC ± 2 PLC ± 3 PLC ± 4 PLC ± ANGLES ±°	NAME CONNECTOR HOUSING ASSY SERIES HD.64, STEEL CONDUIT THREAD
		PRODUCT SPEC SEE SHEET 1 APPLICATION SPEC SEE SHEET 1	SIZE A2
MATERIAL -		WEIGHT -	CAGE CODE 00779
CUSTOMER DRAWING		DRAWING NO 1103338	RESTRICTED TO -
SCALE 1:2		SHEET 2 OF 2	REV A8

单击下面可查看定价，库存，交付和生命周期等信息

[>>TE Connectivity\(泰科\)](#)