

4

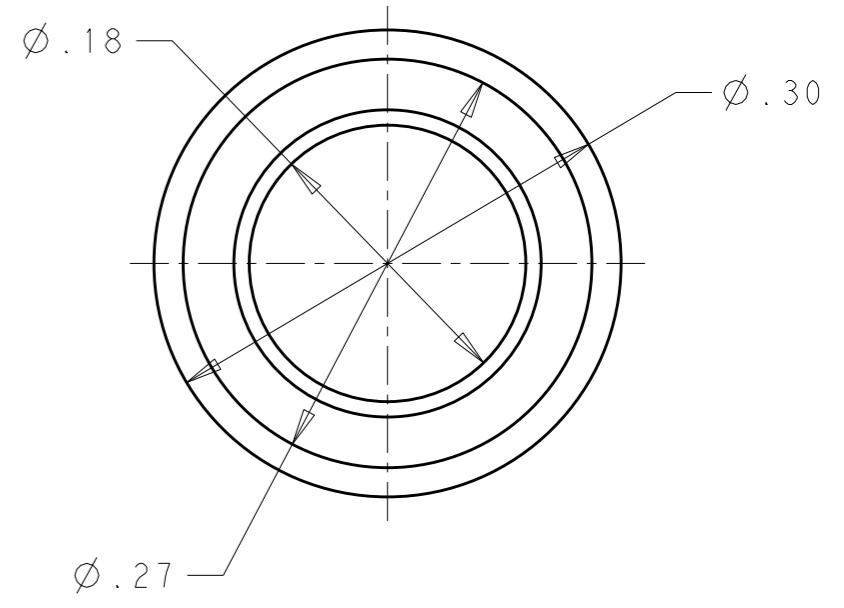
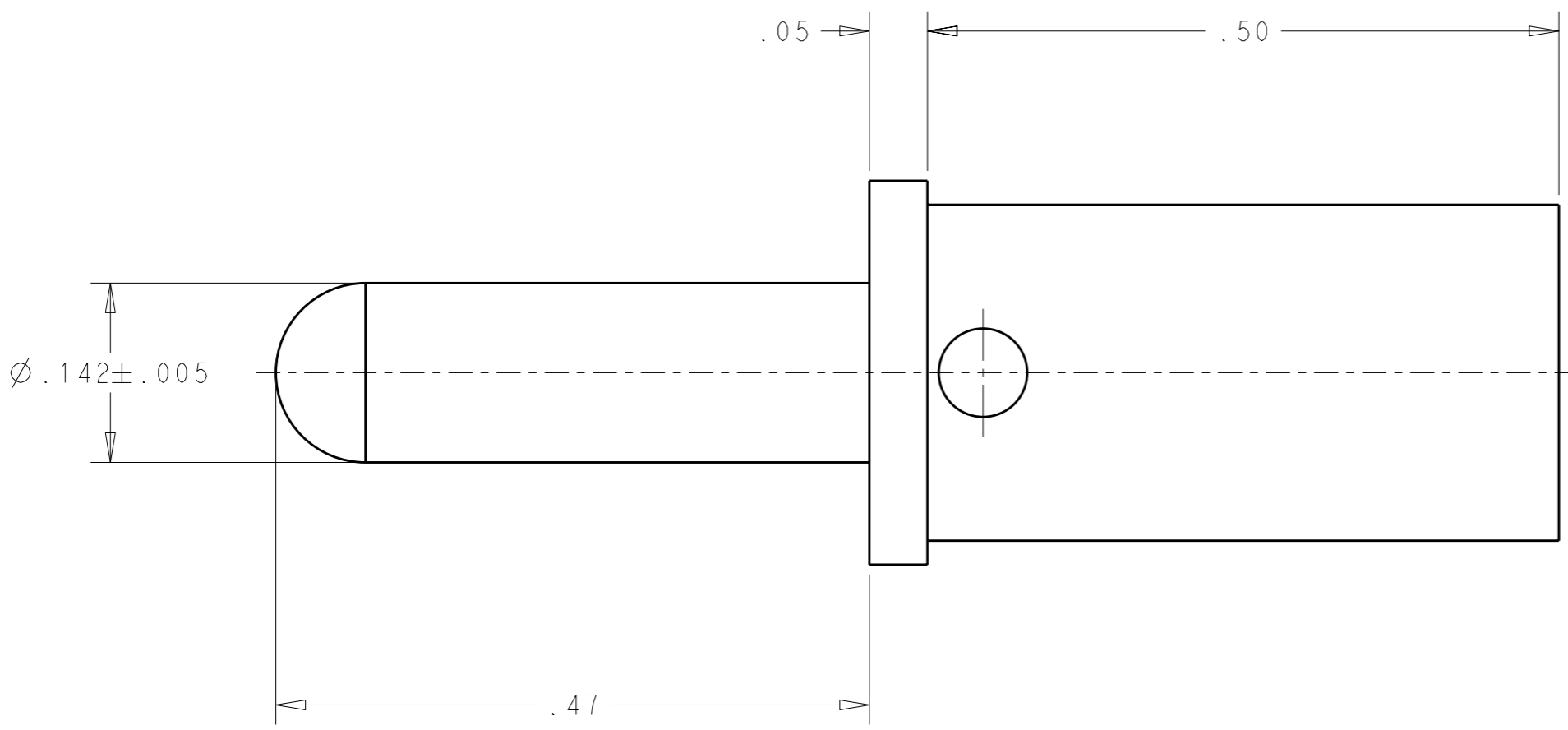
3

2

1


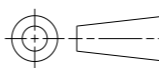
THIS DRAWING IS UNPUBLISHED. RELEASED FOR PUBLICATION 20
 © COPYRIGHT 20 BY - ALL RIGHTS RESERVED.

LOC	DIST	REVISIONS			
P	LTR	DESCRIPTION	DATE	DWN	APVD
GP	00	C	REV PER ECO-11-007264	14APR2011	RG DO



- PART NUMBER CHANGES AND/OR DESIGN CHANGES AFFECTING ITEM INTERCHANGEABILITY REQUIRE PRIOR TYCO ELECTRONICS APPROVAL AND AUTHORIZATION BY REVISION TO THIS DRAWING.
- ITEMS PROVIDED TO THIS SPECIFICATION SHALL BE IDENTIFIED ON THE CONTAINER WITH THE FOLLOWING INFORMATION: PART NUMBER AND DATE CODE OF MANUFACTURE.
- MATERIAL: COPPER ALLOY
- FINISH: SILVER PLATE .00200 MIN THK. OVER NICKEL .000040 MIN THK.

1766163-1
PART NUMBER

THIS DRAWING IS A CONTROLLED DOCUMENT.		DWN 10JAN2011 LOVATO/GRZYBOWSKI	 TE Connectivity	
DIMENSIONS: INCHES		CHK D. ORRIS		
		APVD 10JAN2011 D. ORRIS	NAME CONTACT, PIN SIZE No.8 No.8 CRIMP BARREL ICCON	
TOLERANCES UNLESS OTHERWISE SPECIFIED:		PRODUCT SPEC -	SIZE A300779 C-1766163	
0 PLC ±- 1 PLC ±- 2 PLC ±- 3 PLC ±.020 4 PLC ±- ANGLES ±.5		APPLICATION SPEC -	RESTRICTED TO -	
MATERIAL -		WEIGHT -	SCALE 8:1 SHEET 1 OF 1 REV C	
FINISH -		CUSTOMER DRAWING		

单击下面可查看定价，库存，交付和生命周期等信息

[>>TE Connectivity\(泰科\)](#)