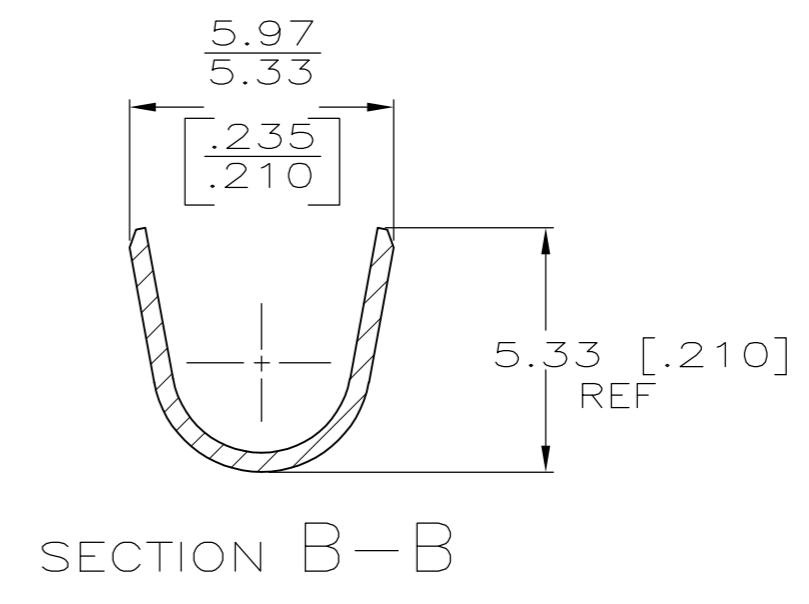
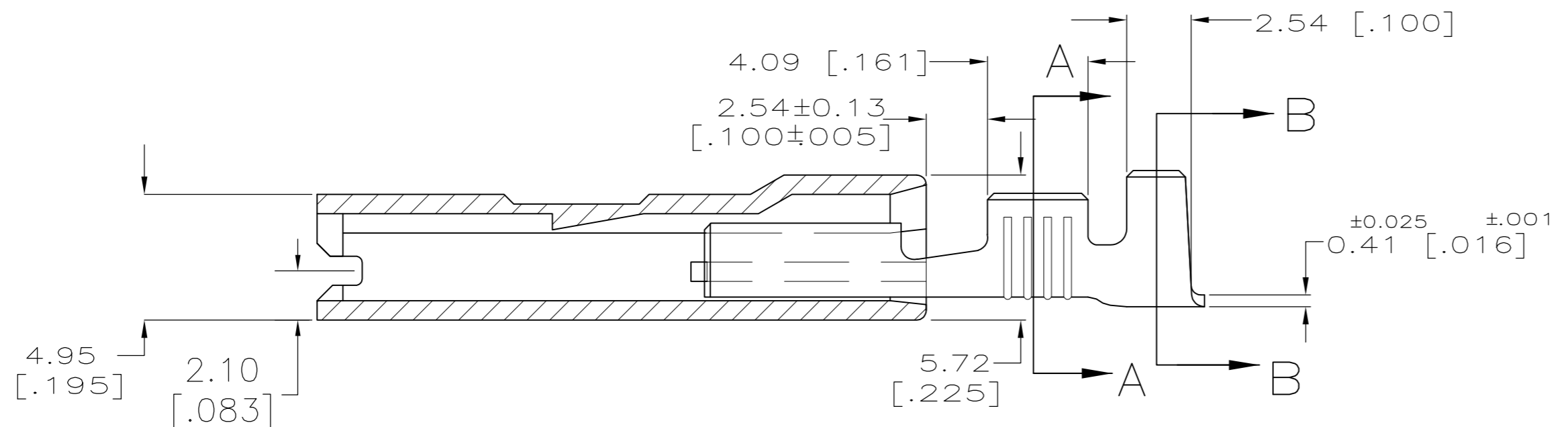
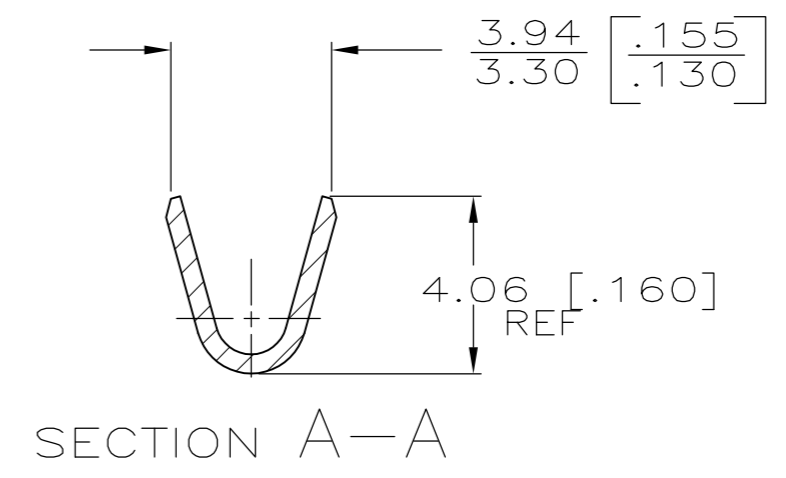
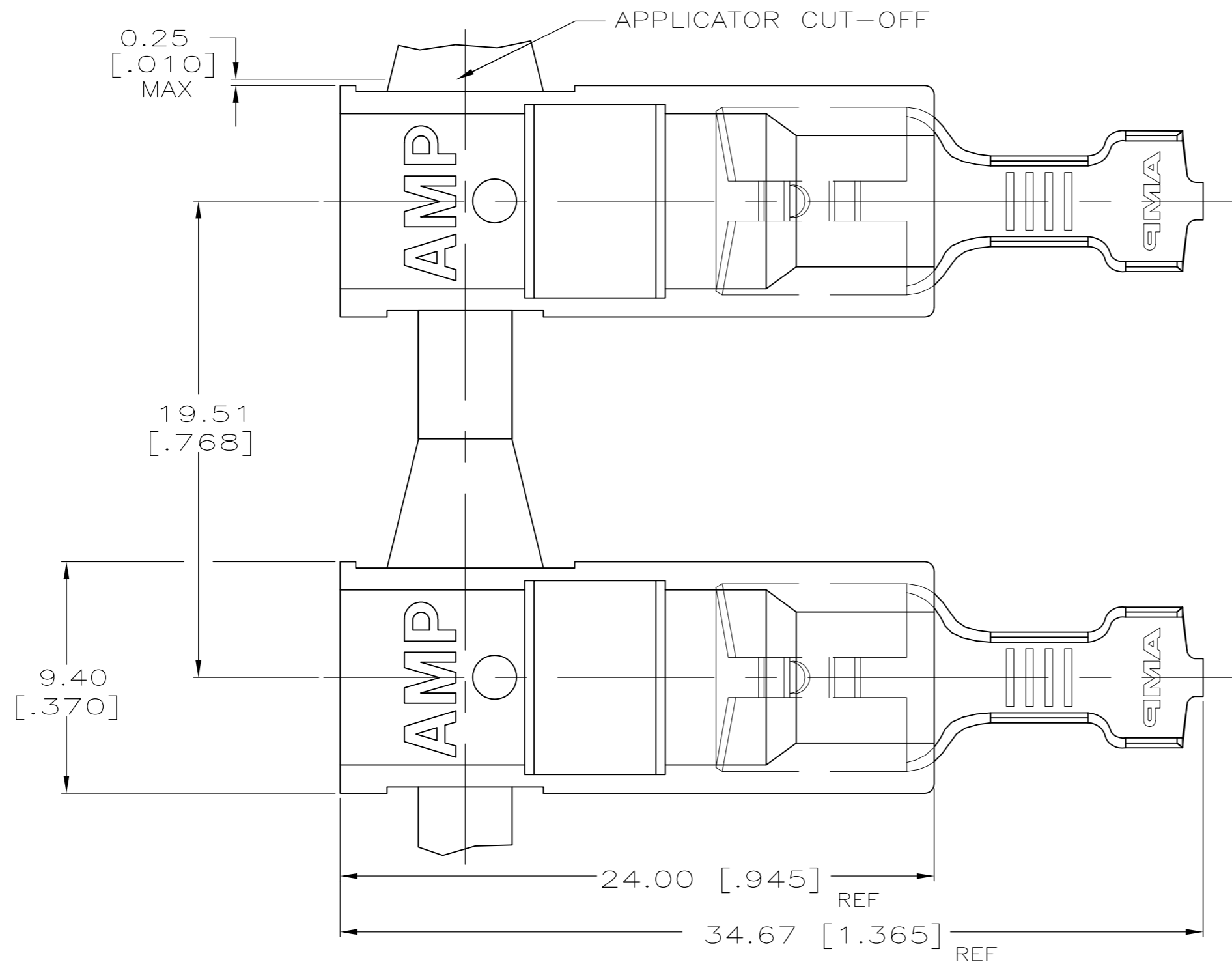


THIS DRAWING IS UNPUBLISHED. RELEASED FOR PUBLICATION
 © COPYRIGHT - By - ALL RIGHTS RESERVED.

LOC		DIST		REVISIONS			
P	LTR	DESCRIPTION	DATE	DWN	APVD		
AF	50						
	K2	REVISED PER ECR-12-013219	08JAN13	KH	KR		



- 1 PREMIER FASTON TERMINALS, BASE P/N 42219 ARE USED FOR -1. LOW-INSERTION FASTONS, BASE P/N 63306 ARE USE FOR -2.
- 2 NICKEL PLATE 0.00381 [.000150] MIN
- 3 TIN PLATE 0.002032 [.000080] MIN.
- 4 MATERIAL: HOUSING - 4/6 NYLON (150°C)
TERMINAL - SEE TABLE
- 5 FINISH: HOUSING - COLOR, BLACK
TERMINAL - SEE TABLE

OBSOLETE	BULK	#4M HD BRASS	3	TIN	2.79-4.32	0.8-2.0 mm ² [18-14]	0.813 [.032]	5-521011-2
OBSOLETE	BULK	#2 HD STEEL	2	NICKEL				5-521011-1
	STANDARD	BRASS	3	TIN	[.110-.170] DIA			521011-2
	STANDARD	#2 HD STEEL	2	NICKEL				521011-1
	PACKAGING	TERMINAL MATERIAL		TERMINAL FINISH	INSULATION RANGE	WIRE SIZE	MATING TAB THK ±0.025 [±.001]	PART NO.

THIS DRAWING IS A CONTROLLED DOCUMENT.

DIMENSIONS: mm [INCHES]	TOLERANCES UNLESS OTHERWISE SPECIFIED:	DWN JR RUTH 12/7/92	TE Connectivity ASSEMBLY, ULTRA-POD, RECEPTACLE, 6.35 [.250] SERIES
	0 PLC ± -	CHK MS FEHER 12/7/92	
	1 PLC ± -	APVD V KARABCIJEVSKY 12/7/92	
	2 PLC ± -	PRODUCT SPEC 108-1285	
	3 PLC ± 0.25 [.010]	APPLICATION SPEC 114-2124	SIZE A2
	4 PLC ± -	WEIGHT -	CAGE CODE 00779
	ANGLES ± -	CUSTOMER DRAWING	DRAWING NO C=521011
MATERIAL 4	FINISH 5		RESTRICTED TO -
		SCALE 5:1	SHEET 1 of 1
		REV K2	

单击下面可查看定价，库存，交付和生命周期等信息

[>>TE Connectivity\(泰科\)](#)