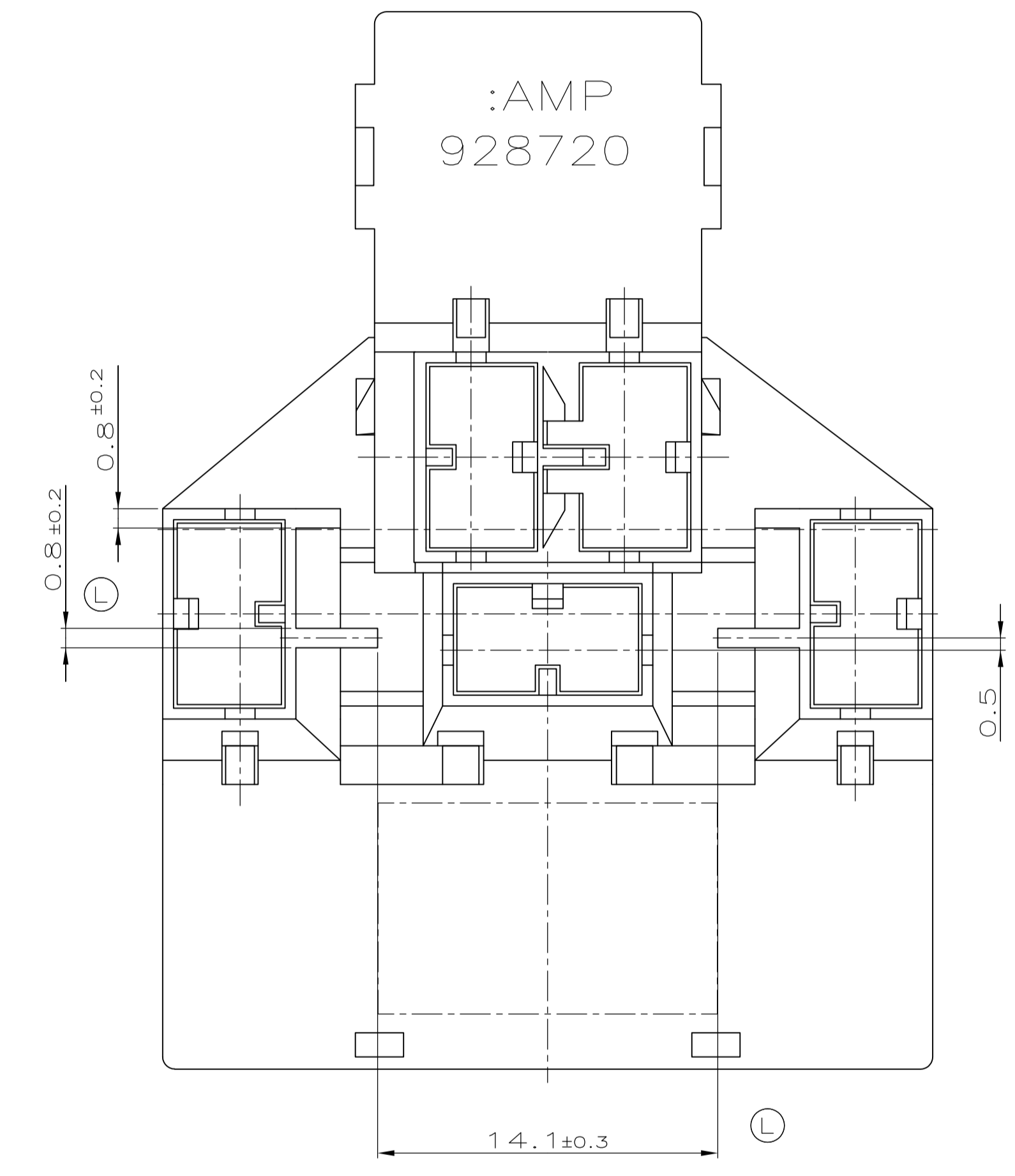
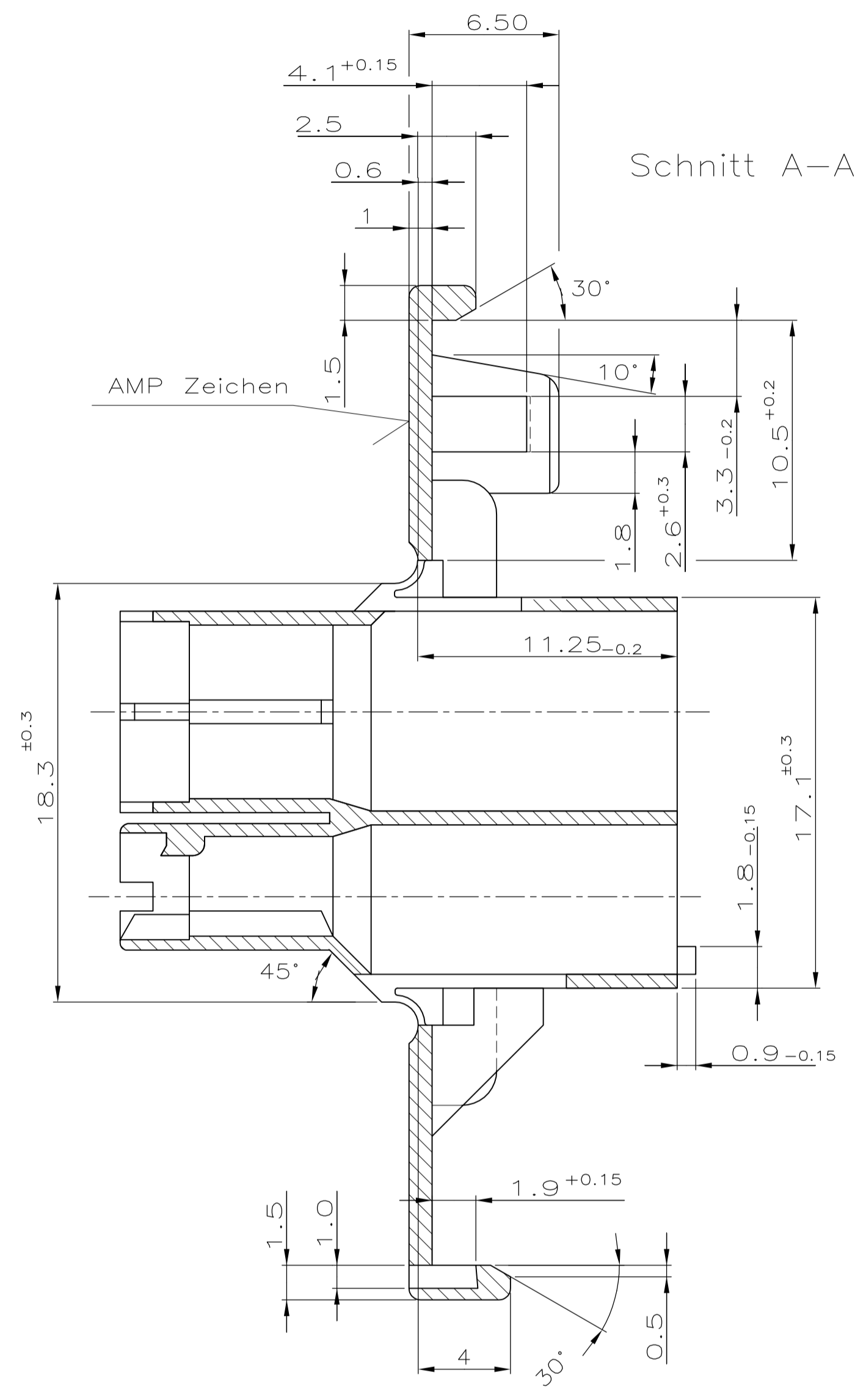
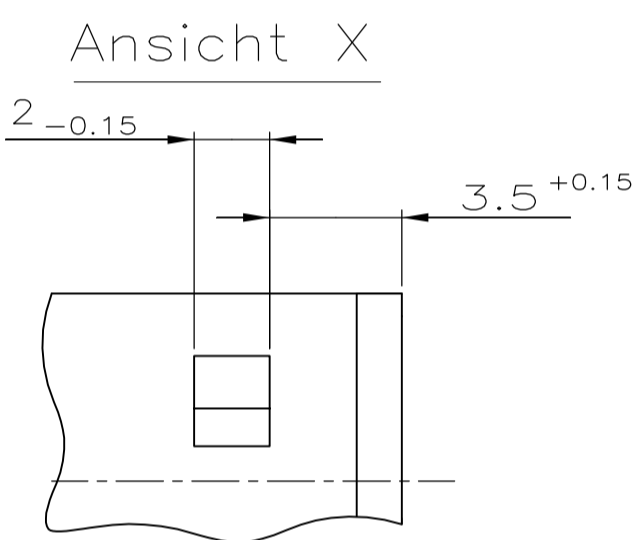
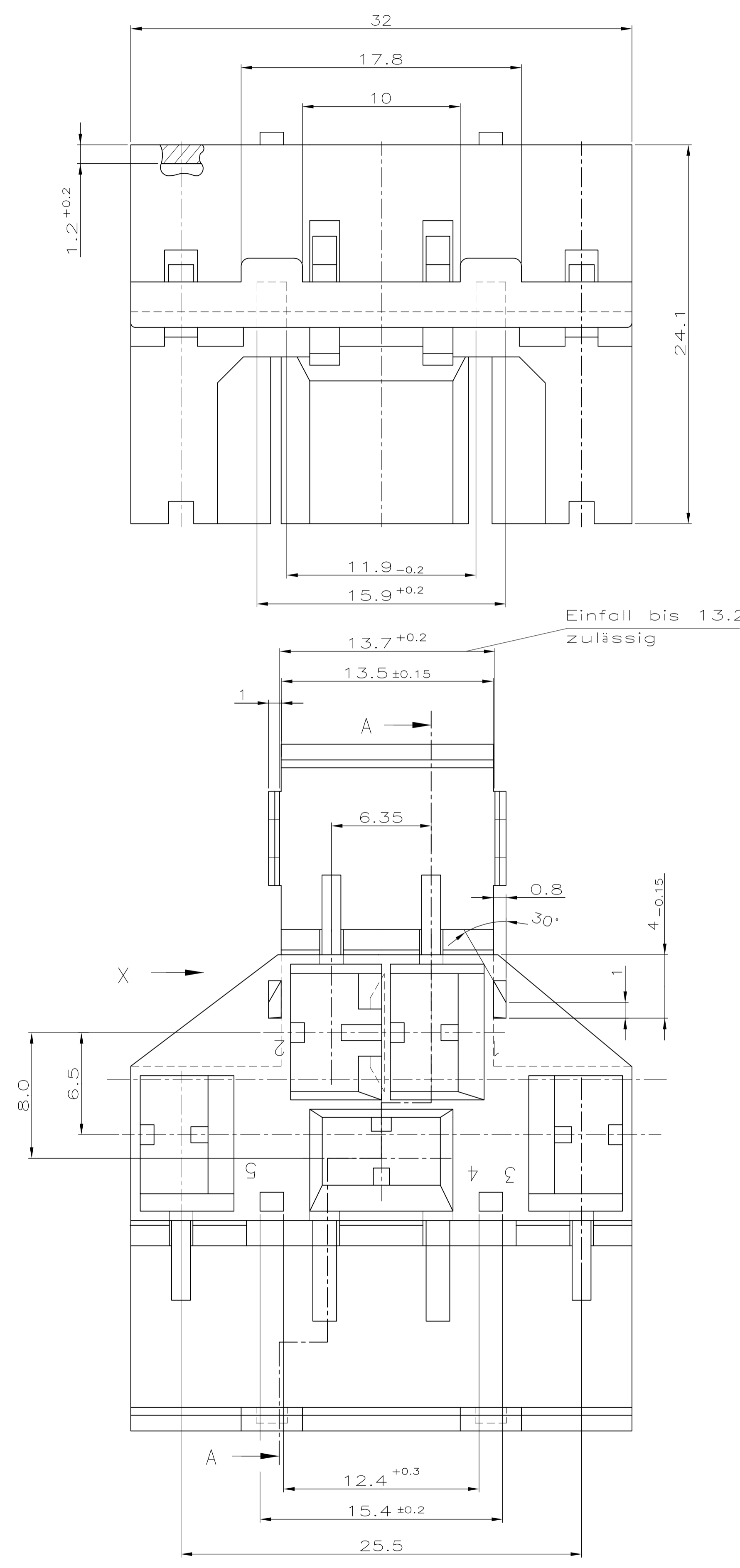


LOC	DIST	REVISIONS			
		NO.	DESCRIPTION	DATE	BY
AI	-	1	Rastnase in Kammer 4 erh	01.11.94	Thiel
		2	Wand zwischen Kammer 1 ust2 verst	13.10.95	Sche
		3	Verstärkungsrippen	02-JUN-99	G.K
		4	928720-4 NEW/NEU	06-JUL-99	S.HOTEA
		5	REVISED PER ECO-09-024717	04NOV09	KK AEG



⚠ OBSOLETE PARTS: OBSOLETE CIS STREAMLINING PER D.RENAUD/D.SINISI

REV	PCS	MATERIAL	COLOR
928720-4	L	PA 6.6 trocken schlagzah	BLUE/BLAU
928720-3	L		RED/ROT
928720-2	L		NATURAL/NATUR
928720-1	L		BLACK/SCHWARZ

THE DRAWING IS CONTROLLED THROUGH THE AMP REGISTRATION DEPARTMENT. IT IS SUBJECT TO CHANGE AND THE CONTROLLING ENGINEERING DEPARTMENT SHOULD BE CONTACTED FOR THE LATEST REVISION.		DWG: Richter 01.04.87 CHK: L.Nix 01.04.87	
DIMENSIONS: mm DIMENSIONS: mm DIMENSIONS: mm		TOLERANCES UNLESS OTHERWISE SPECIFIED: ALUMINUMTOLERANZEN n. DIN 16901 - 140 0 P.LC: ±0.1 1 P.LC: ±0.2 2 P.LC: ±0.3 3 P.LC: ±0.4 ANGLES/WHIRLS: ±1.5° FINISH/OBERFLÄCHE/FARBE: -	
MATERIAL: -		AMP Deutschland GmbH D - 63225 Langen	
OBSOLETE 928720-4 L PA 6.6 trocken schlagzah BLUE/BLAU		NAME: RECEPTACLE HOUSING, 5 POSITION, Positive Lock PRODUCT SPEC: STECKHÜSENGEHÄUSE, 5POLIG, Positive Lock	
AMP PART NO: 928720-4 REV: 4 PCS: L		SIZE: A100779 CAGE CODE: 928720 DRAWING NO: 928720 TECHNISCHE-NR.: 928720 WEIGHT: - GEWICHT: - CUSTOMER DRAWING: /KUNDENZEICHNUNG	
5:1		BLATT 1 VON 1 REV L2	

单击下面可查看定价，库存，交付和生命周期等信息

[>>TE Connectivity\(泰科\)](#)