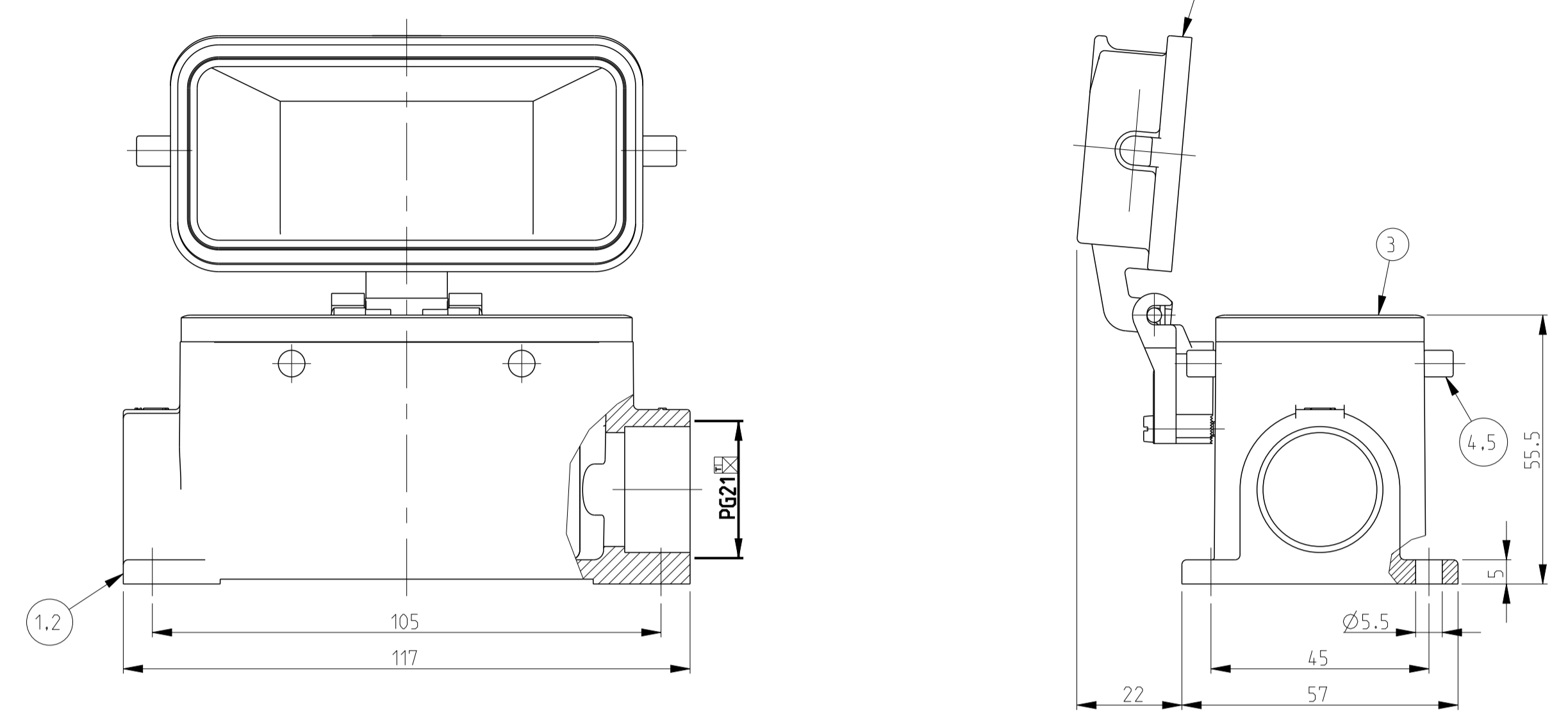


REVISIONS					
P	LTN	DESCRIPTION	DATE	DWN	APVD
A2		Released as per ECR-08-017827	16.July.2008	SP	TS
A3		REVISED PER ECR-16-016768	17AUG2017	AP	MKO
A4		ECR-017-013084	29MAR2018	SG	MKO

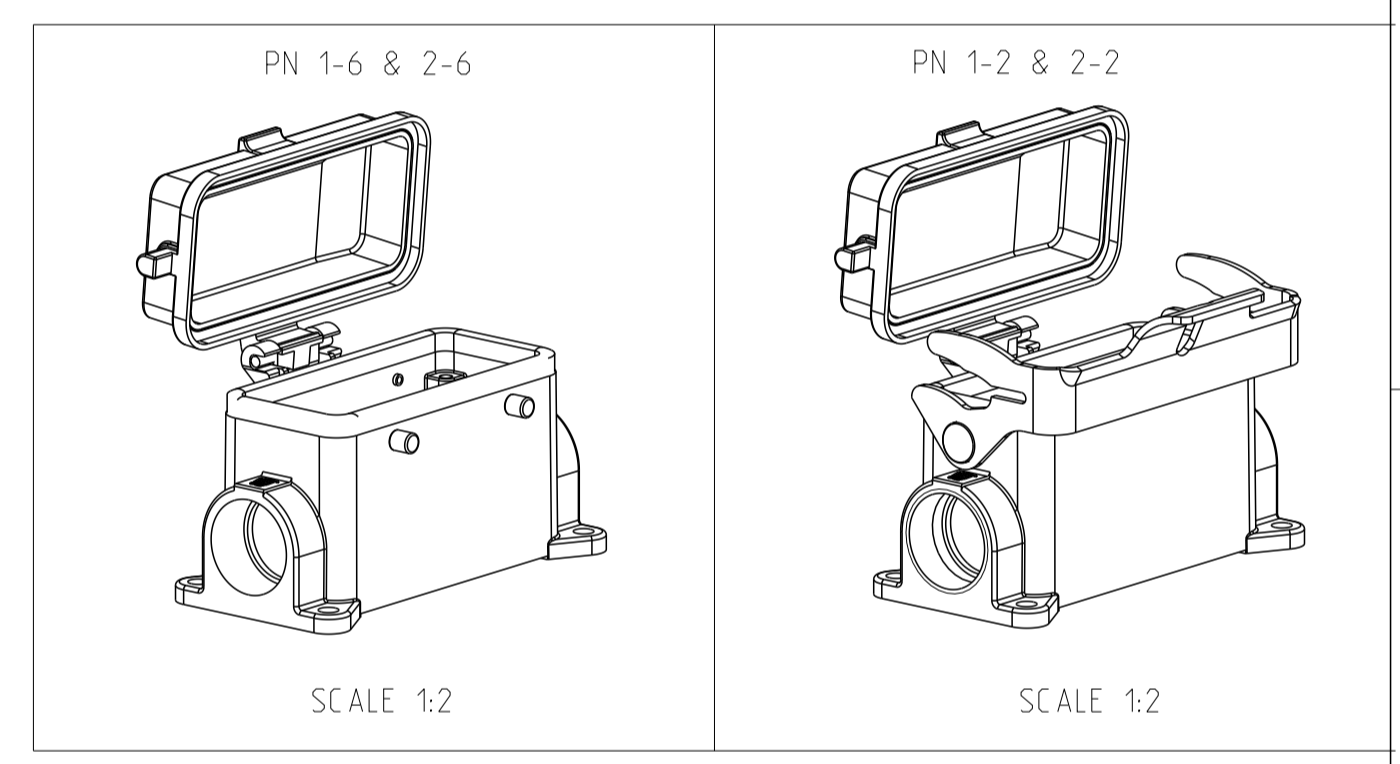
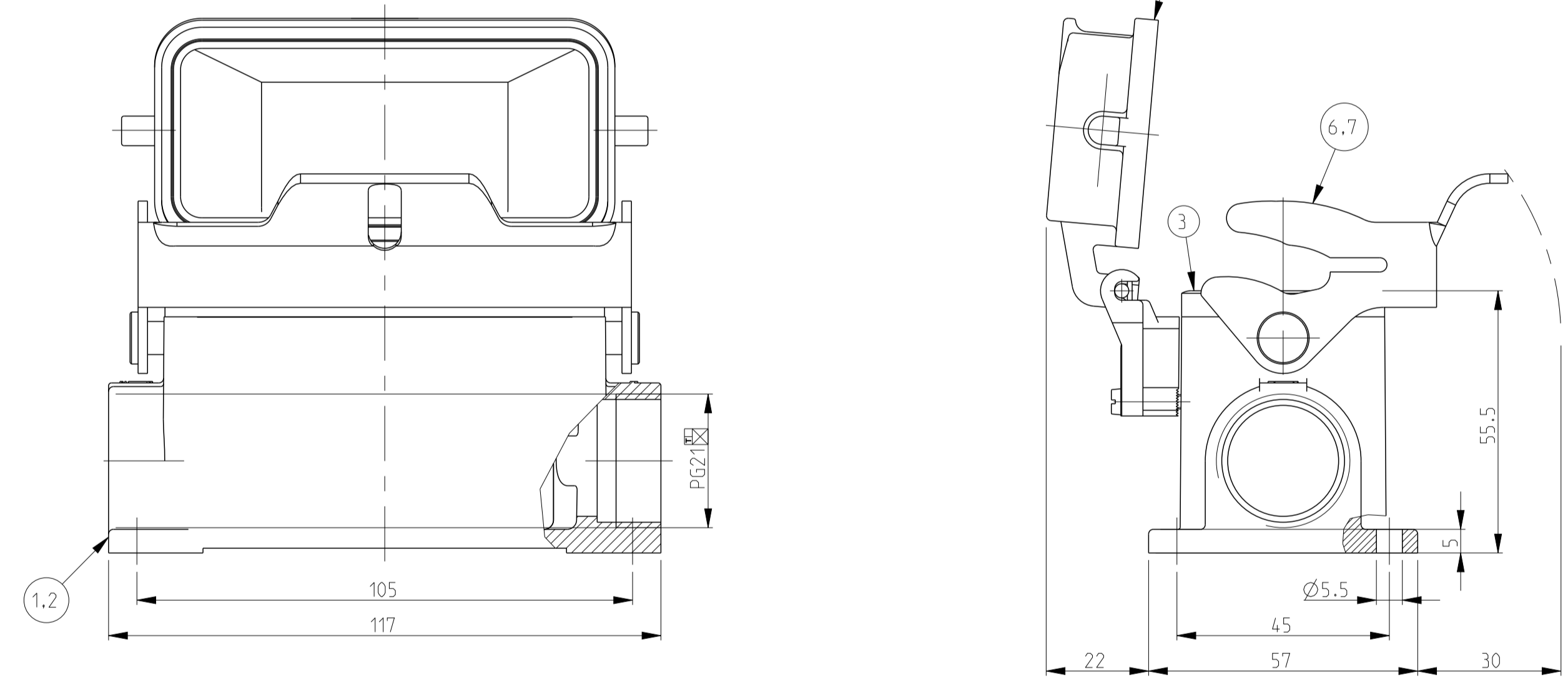
PN 1-6 & 2-6



NOTES.

- 1 Material:Housing:Aluminium Diecasting Alloy
Seals:Neoprene
- 2 Surface:Varnish
-Aluminium Oxide +Varnish Black
-Grey
- 3 Varnish on the inside not necessary
- 4 Packaging
Quantity 5 Pieces in a box

PN 1-2 & 2-2



OBSOLETE						
QTY	ITEM NO	DESCRIPTION	MATERIAL	SURFACE	COLOR	REMARKS
1	1	Cover finished product HB-K	Aluminium	Aluminium oxide	Black RAL 9005	9
1	1	Cover finished product HB	Aluminium		Grey RAL 7001	8
1	1	LB-Side clip	Stainless steel	Blank		7
1	1	LB-Side clip	Steel	Zinc plated	Blue	6
1	4	VS-Clip bolt	Stainless steel	Blank		5
1	4	VS-Clip bolt	Steel	Zinc plated	Blue	4
1	1	Profile seal	Neoprene		Black	3
1	1	Surface mounted housing side entry HB-K	Aluminium	Aluminium oxide	Black RAL 9005	2
1	1	Surface mounted housing side entry HB	Aluminium		Grey RAL 7001	1
2-2	1-2	2-6	1-6			
ORDERING TEXT						
HB.16.SGD.1.21.Z						
HB-K.16.SGD.1.21.Z						
HB.16.SGD.LB.1.21.Z						
HB-K.16.SGD.LB.1.21.Z						

THIS DRAWING IS A CONTROLLED DOCUMENT. DWN: Schneider 08.05.2003
 CHK: Schneider 08.05.2003

STE TE Connectivity

NAME: Surface mounted housing side entry HB.16.SGD.1.21.Z

PRODUCT SPEC: 108-74001.74003
 APPLICATION SPEC: 116-74001.74004

SIZE: A1 CAGE CODE: 00779 DRAWING NO: 1102308
 WEIGHT: - RESTRICTED TO: A4

MATERIAL: - FINISH: - TOLERANCES UNLESS OTHERWISE SPECIFIED:
 DIMENSIONS: mm
 0 PLC ±
 1 PLC ±
 2 PLC ±
 3 PLC ±
 4 PLC ±
 ANGLES ±
 FINISH ±

CUSTOMER DRAWING SCALE: 1:1 SHEET: 1 OF 1 REV: A4

单击下面可查看定价，库存，交付和生命周期等信息

[>>TE Connectivity\(泰科\)](#)