

LOC		DIST		REVISIONS			
AD	00	REV	DATE	BY	CHK	APP	REV
A	EC 0G3C 0868 04		09MAY05	BSV	KW		
A1	REVISED PER ECO-09-024606		27OCT09	KK	AEG		

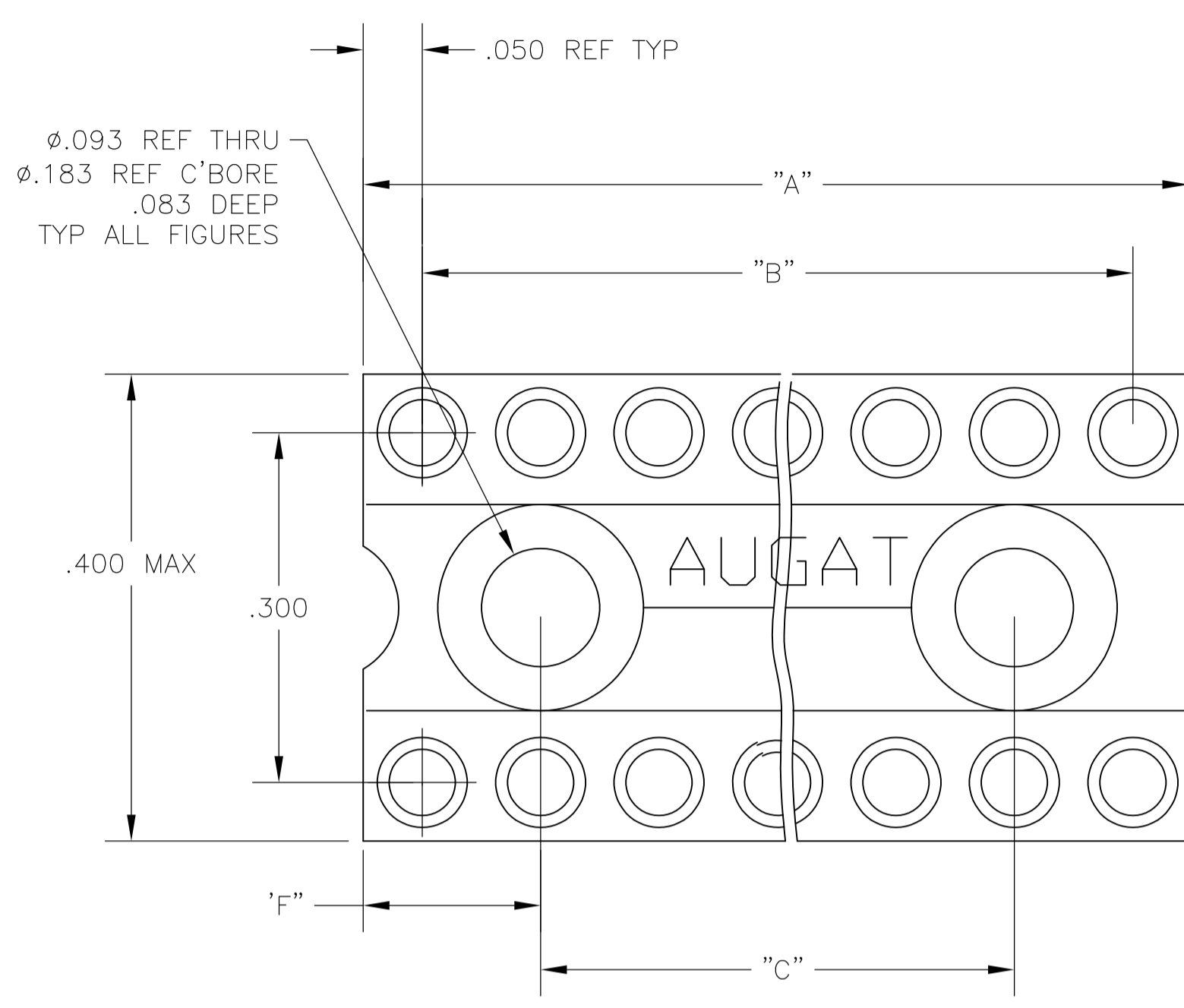


FIG. 1

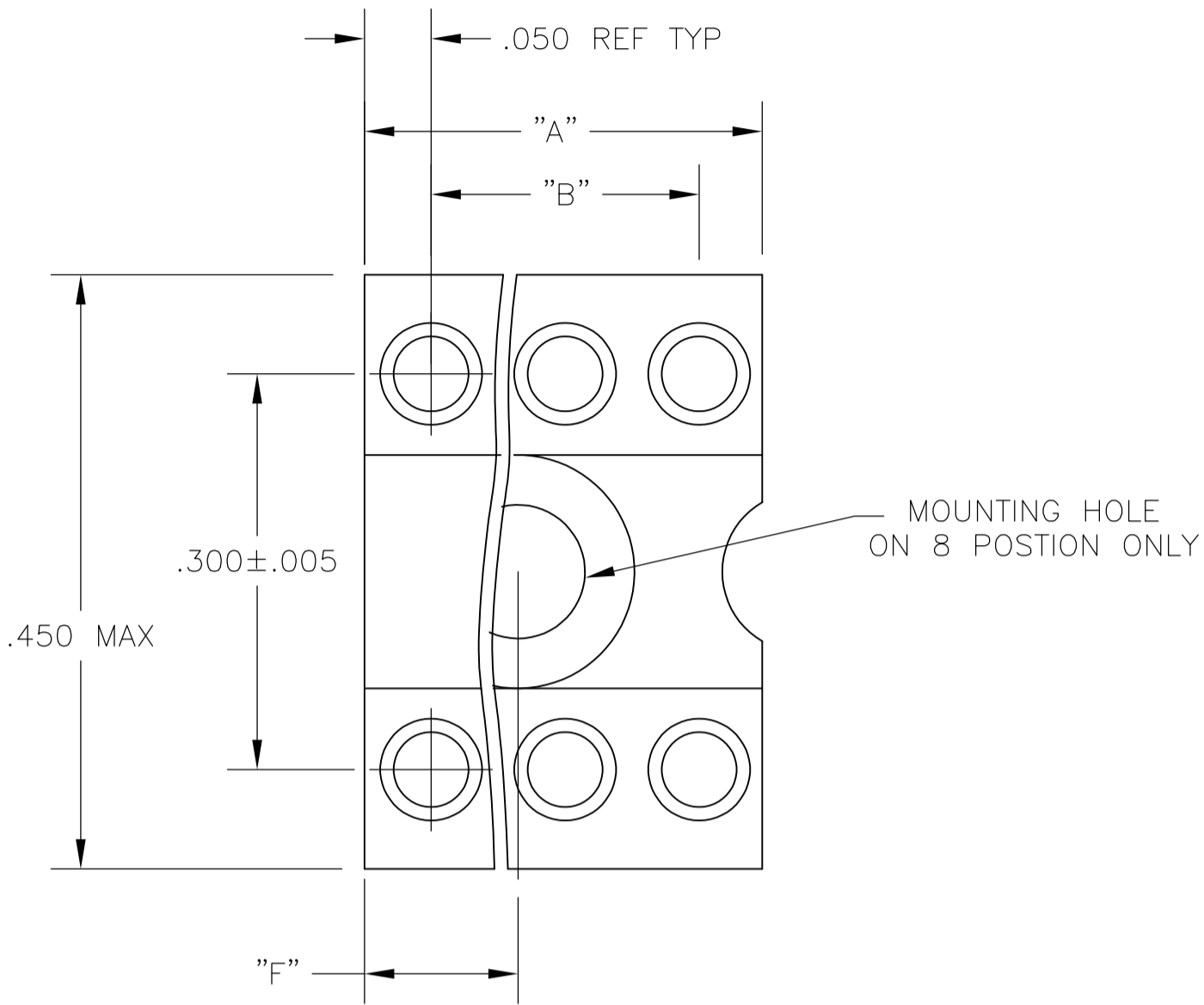


FIG. 2

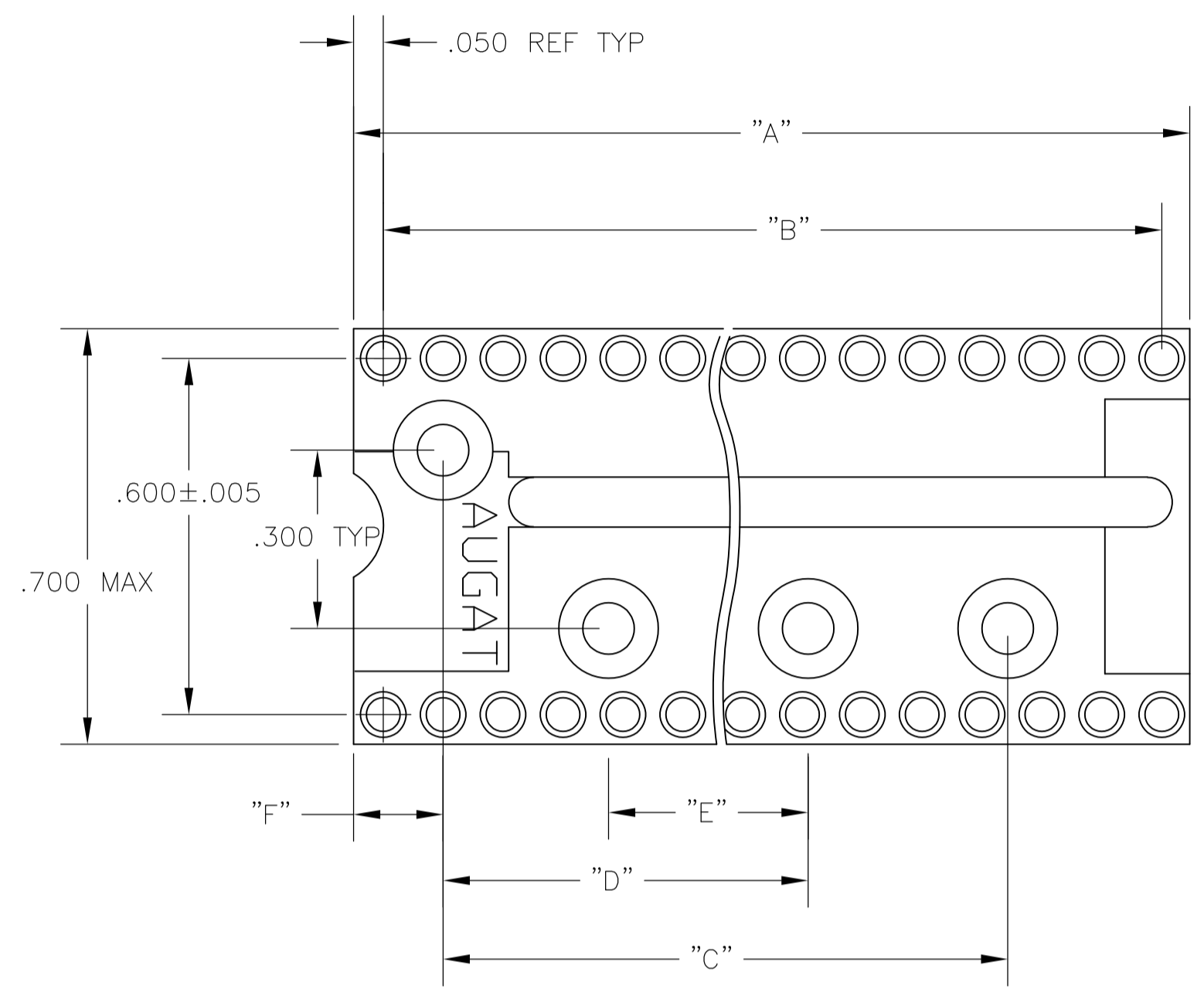


FIG. 3

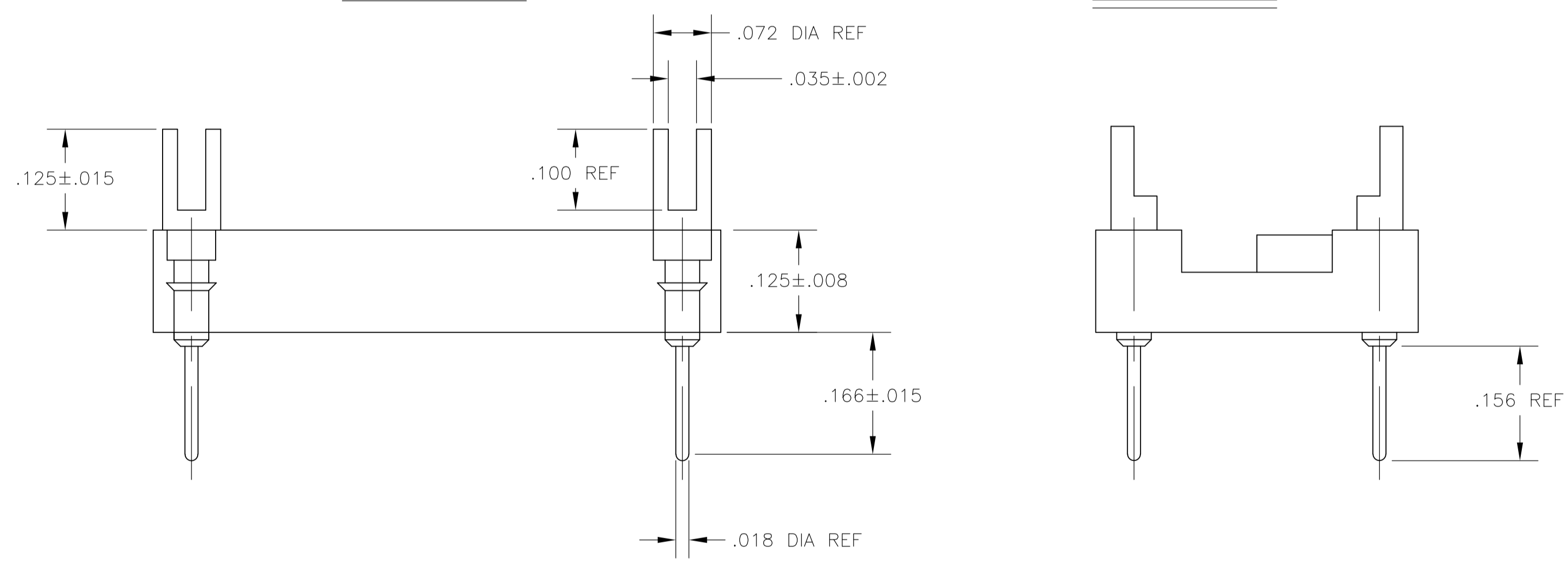
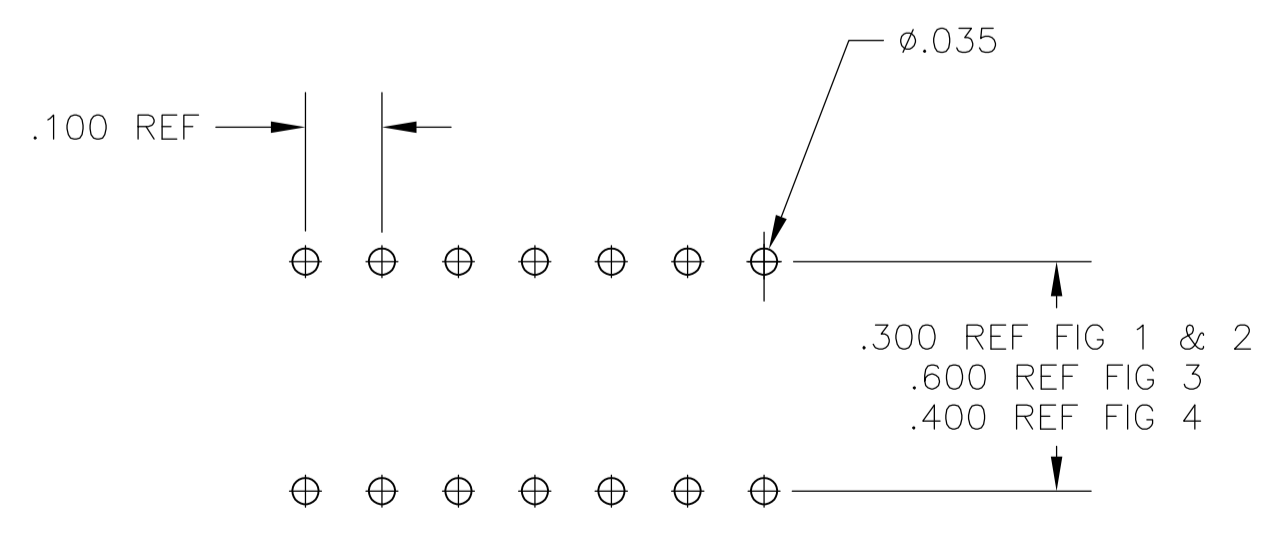
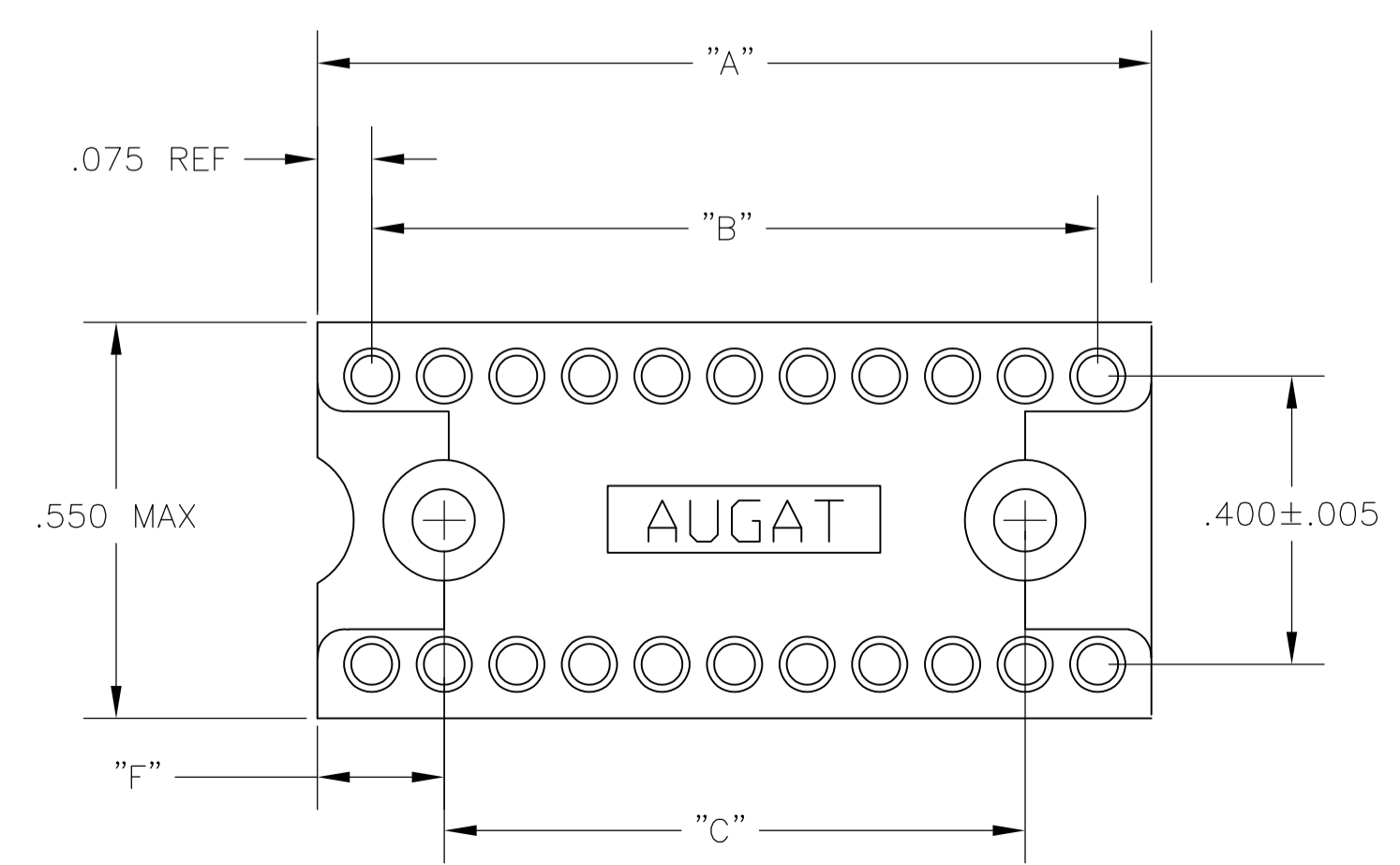


FIG. 4



P.C.B HOLE LAYOUT
TOLERANCE ±.003



- INSULATOR MATERIAL - THERMOPLASTIC POLYESTER, PCT, BLK, UL94 V-0.
- CONTACT PLATING - .000180-.000340 THK TIN (LEAD FREE) OVER .000050-.000180 THK COPPER.
- OBsolete PARTS: OBSOLETE CIS STREAMLINING PER D.RENAUD/D.SINISI

OBSOLETE	3	.150	.500	.900	1.500	1.900	2.000	40	1-1571549-1
	3	.150	.500	.900	1.500	1.700	1.800	36	1-1571549-0
	3	.150	.500	.900	-	1.500	1.600	32	1571549-9
	3	.150	.500	.900	-	1.300	1.400	28	1571549-8
OBSOLETE	3	.150	.500	.900	-	1.100	1.200	24	1571549-7
	4	.175	-	-	.800	1.000	1.150	22	1571549-6
OBSOLETE	1	.250	-	-	.500	.900	1.000	20	1571549-5
	1	.150	-	-	.600	.800	.900	18	1571549-4
OBSOLETE	1	.150	-	-	.500	.700	.800	16	1571549-3
	1	.150	-	-	.400	.600	.700	14	1571549-2
OBSOLETE	2	.200	-	-	-	.300	.400	8	1571549-1
FIG	"F"	"E"	"D"	"C"	"B"	"A" MAX	NO. OF POSN	PART NO.	

THIS DRAWING IS A CONTROLLED DOCUMENT.

DIMENSIONS: INCHES	TOLERANCES UNLESS OTHERWISE SPECIFIED:	DRAWN: T. KRAYBILL	30SEPT03	Tyco Electronics Corporation
0. PLC ± -	1. PLC ± -	CHK: K. WRIGHT		Harrisburg, Pa 17105-3608
2. PLC ± -	3. PLC ± -	APP'D: K. WRIGHT		NAME: DIP ADAPTER, FORK TOP PIN, LEAD FREE (REF AUGAT 600 SERIES ADAPTER)
4. PLC ± -	ANGLES ± -	APPLICATION SPEC		SIZE: A1
MATERIAL: -	FINISH: -	WEIGHT: -	SCALE: 8:1	SHEET 1 OF 1
CUSTOMER DRAWING		00779	1571549	REV A1

单击下面可查看定价，库存，交付和生命周期等信息

[>>TE Connectivity\(泰科\)](#)