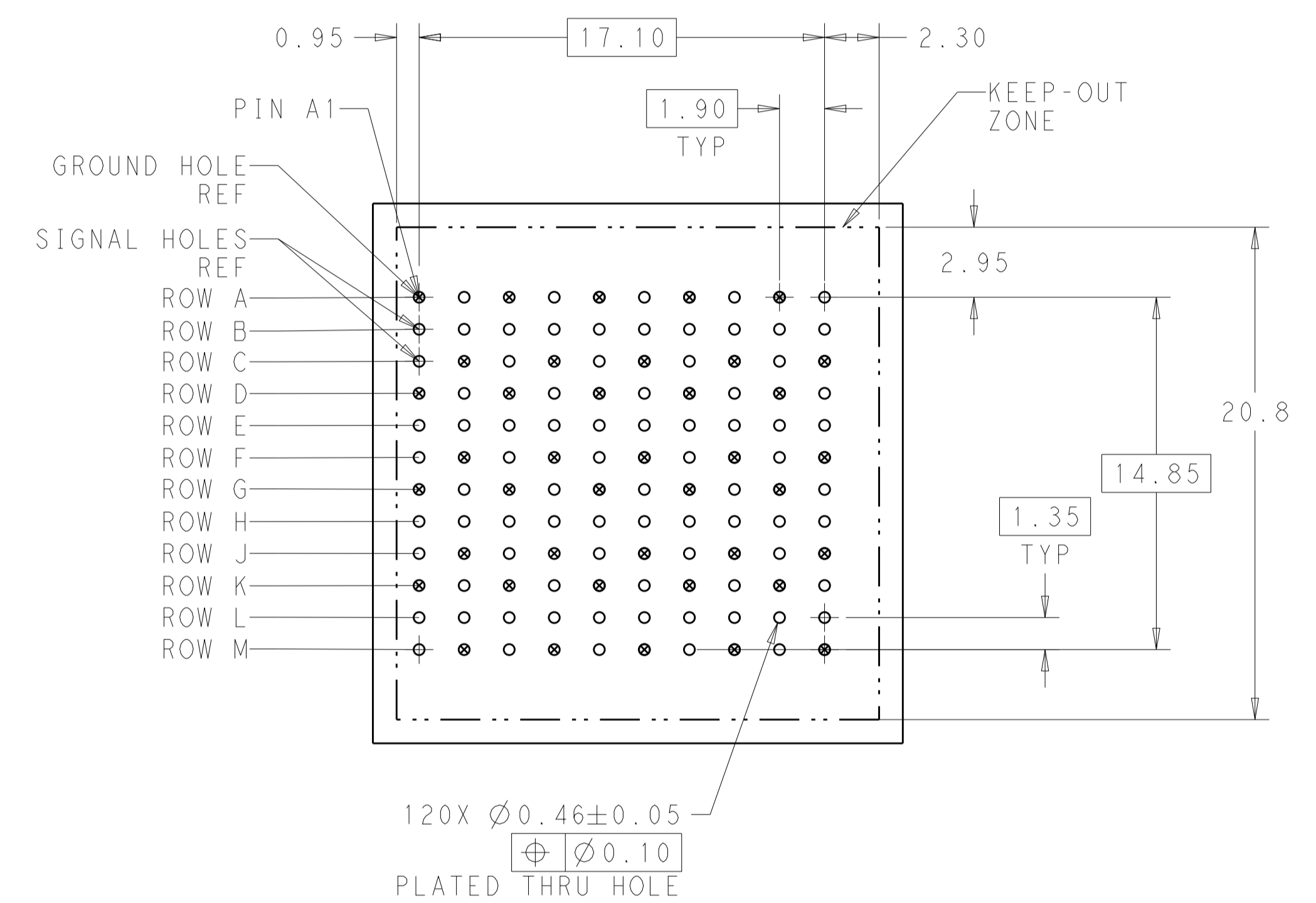
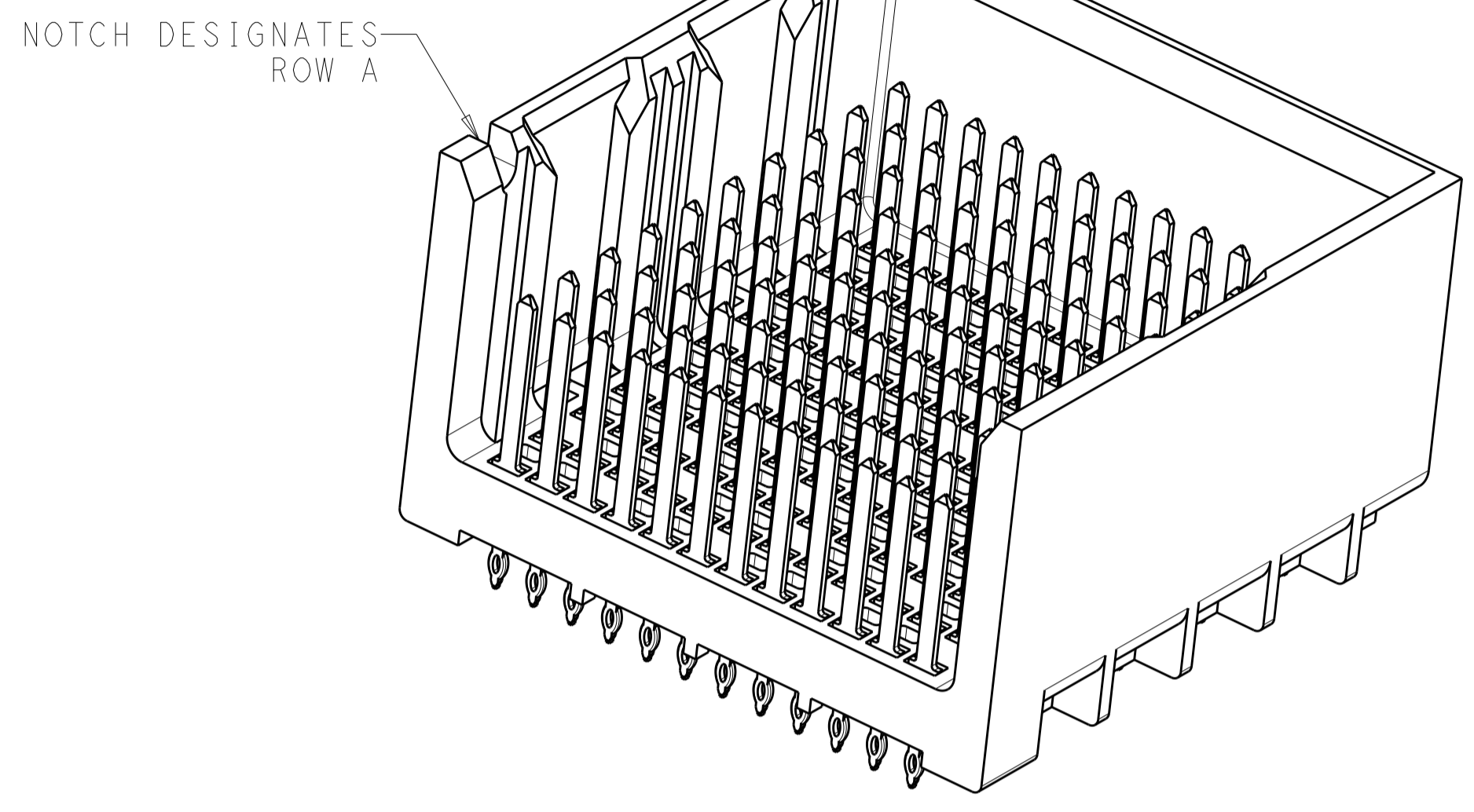
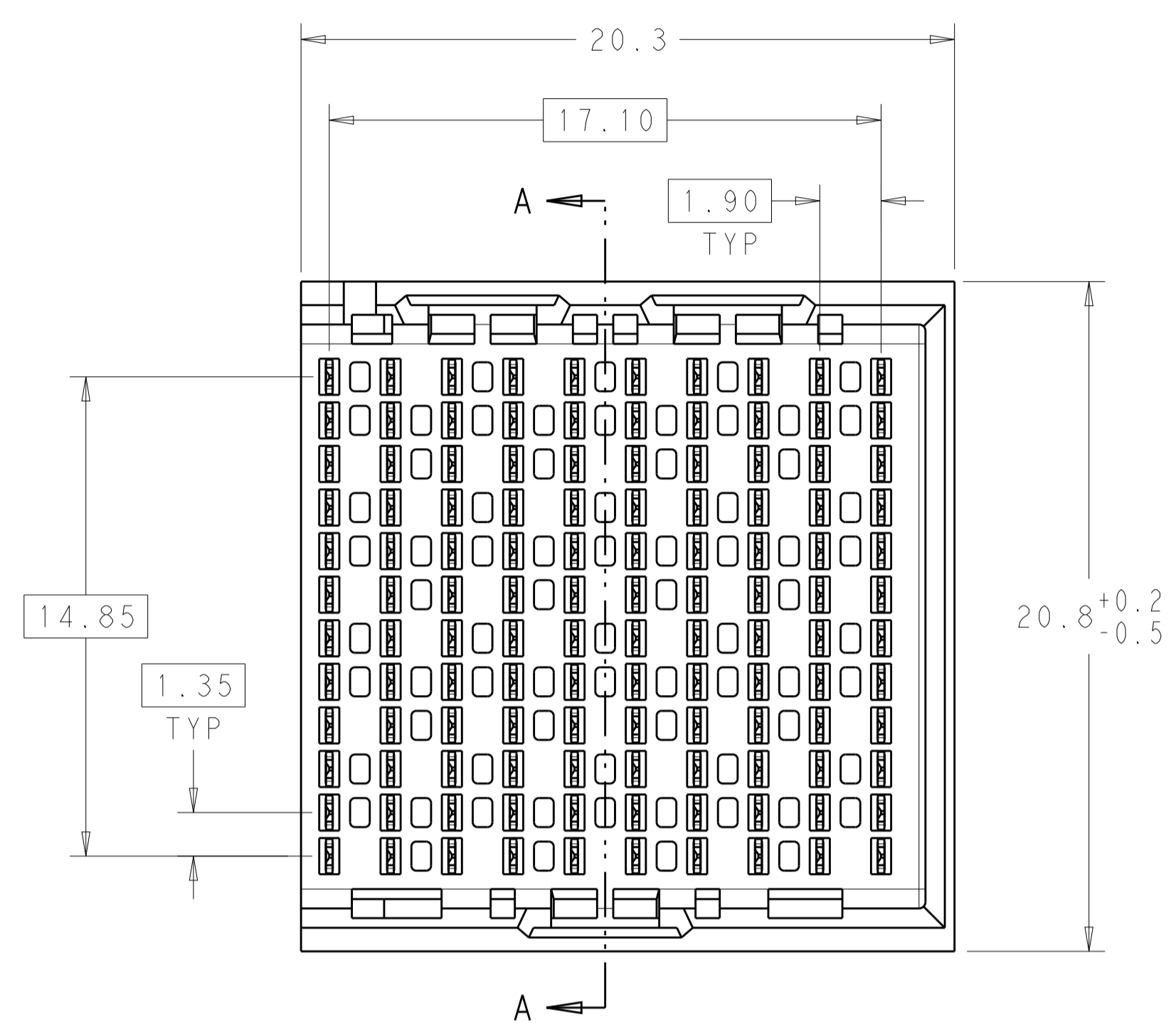


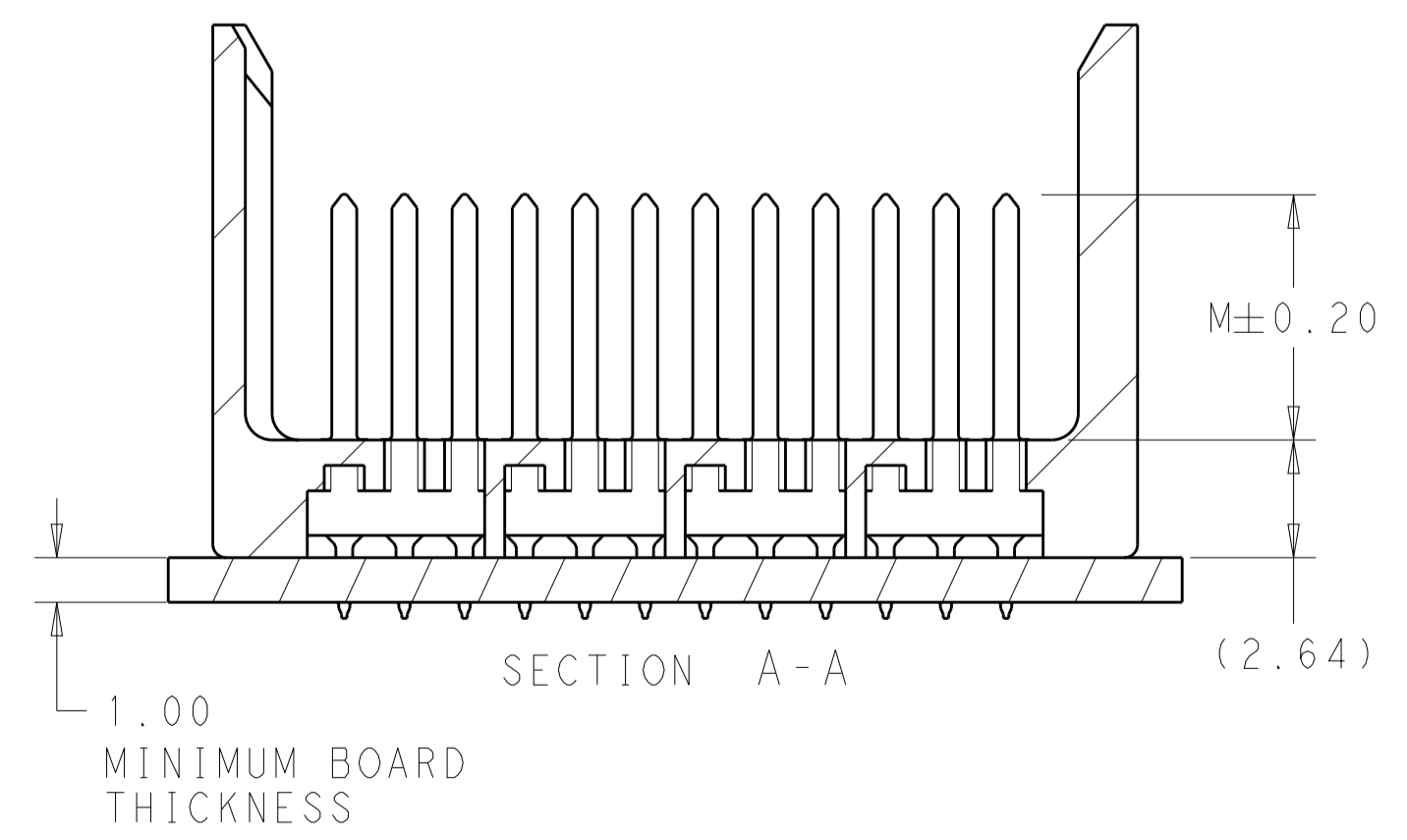
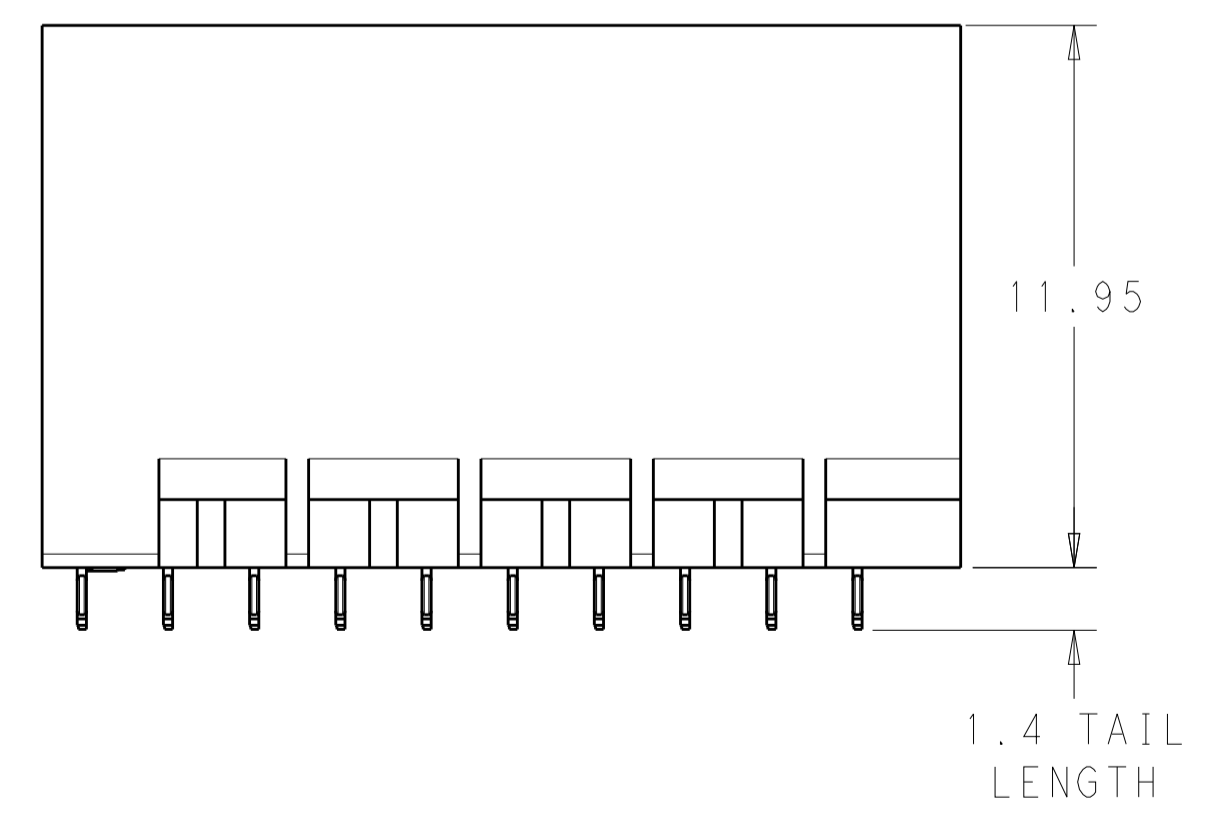
REVISIONS				
P.	LTN.	DESCRIPTION	DATE	APVD.
A1		RELEASED/REVISED PER ECO-15-001494	04FEB2015	AP DD

⚠ MATERIAL:
HOUSING: LCP, GLASS FILLED, UL94V-0.
TERMINALS: HIGH PERFORMANCE COPPER ALLOY.

⚠ FINISH:
30μ" MIN GOLD IN CONTACT AREA. SELECTIVE TIN
ON PCB TAILS, NICKEL OVERALL.



UNGUIDED
BACKPLANE HOLE PATTERN
(CONNECTOR SIDE)



THIS DRAWING IS A CONTROLLED DOCUMENT.		DWN: J. K. SHOBER 03JAN2011	TE Connectivity
DIMENSIONS: mm		CHK: J. EARY 03JAN2011	
TOLERANCES UNLESS OTHERWISE SPECIFIED:		APVD: J. EARY 03JAN2011	NAME: IMPACT, 4 PAIR, 10 COLUMN, HEADER
0 PLC	±	PRODUCT SPEC	UNGUIDED, RIGHT END WALL
1 PLC	±0.25	APPLICATION SPEC	SIGNAL MODULE, 0.46 PTH
2 PLC	±0.13	SIZE	CAGE CODE DRAWING NO
3 PLC	±	WEIGHT	A100779C=2007819
4 PLC	±	CUSTOMER DRAWING	SCALE 6:1 SHEET 1 OF 2 REV A1
ANGLES	±		
FINISH	SEE TABLE		

THIS DRAWING IS UNPUBLISHED. RELEASED FOR PUBLICATION 20
 © COPYRIGHT 20 BY - ALL RIGHTS RESERVED.

REVISIONS					
P.	LTN	DESCRIPTION	DATE	DMN	APVD
-	-	SEE SHEET 1	-	-	-

	5.5	2007819-3
	4.9	2007819-2
	4.5	2007819-1
FINISH	DIM M	PART NUMBER

REFER TO WWW.TE.COM
FOR PRODUCT AVAILABILITY

THIS DRAWING IS A CONTROLLED DOCUMENT.		DMN J. K. SHOBER 03JAN2011		TE Connectivity
DIMENSIONS: mm		CHK J. EARY 03JAN2011		
TOLERANCES UNLESS OTHERWISE SPECIFIED: 0 PLC ± 1 PLC ±0.25 2 PLC ±0.13 3 PLC ± 4 PLC ±		APVD J. EARY 03JAN2011	NAME	IMPACT, 4 PAIR, 10 COLUMN, HEADER UNGUIDED, RIGHT END WALL SIGNAL MODULE, 0.46 PTH
ANGLES FINISH ±		PRODUCT SPEC	APPLICATION SPEC	RESTRICTED TO
MATERIAL	SEE TABLE	WEIGHT	SIZE	CAGE CODE
-	-	-	A1	00779
CUSTOMER DRAWING		SCALE	5:1	SHEET 2 OF 2
		REV	A1	

单击下面可查看定价，库存，交付和生命周期等信息

[>>TE Connectivity\(泰科\)](#)