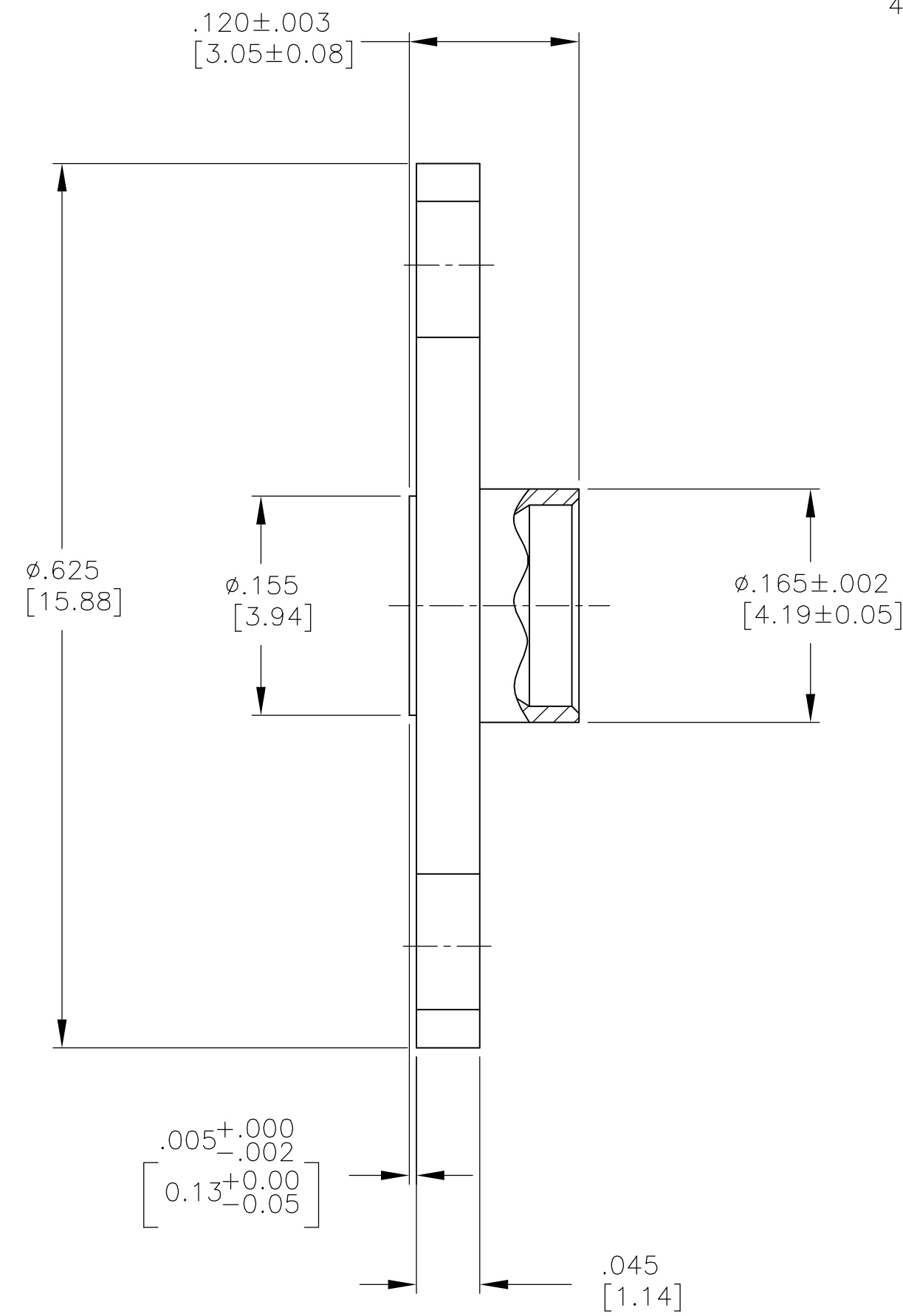
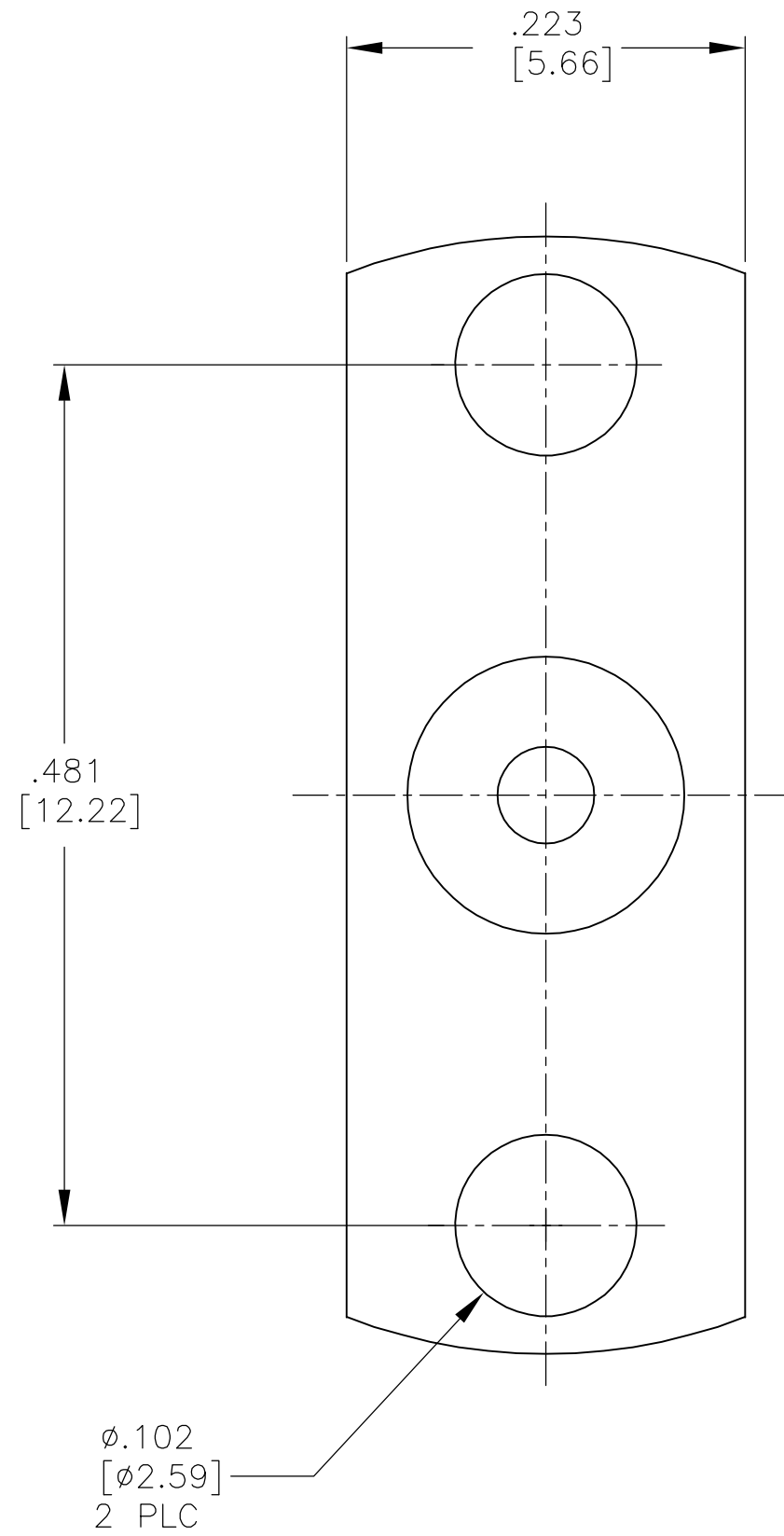


THIS DRAWING IS UNPUBLISHED. RELEASED FOR PUBLICATION  
 © COPYRIGHT BY TYCO ELECTRONICS CORPORATION. ALL RIGHTS RESERVED.

LOC		DIST		REVISIONS			
P	LTR	DESCRIPTION		DATE	DWN	APVD	
X0	DF	A	RELEASED	4-18-05	CT	BM	

- 1. STAINLESS STEEL PER ASTM-A-582
- 2. PASSIVATION PER AMS QQ-P-35
- 3. SMP INTERFACE PER MIL-STD-348A, FIGURE 326-3
- 4. DSCC REFERENCE PART NUMBER: 94007ZSP-4L



$\triangle 2$	$\triangle 1$	1757026-1
FINISH	MATERIAL	PART NO.

THIS DRAWING IS A CONTROLLED DOCUMENT.		DWN B. MOYER 12APROS	Tyco Electronics Corporation Harrisburg, Pa 17105-3608																			
DIMENSIONS: INCHES		CHK C.C.THOMAS 4-18-05	AMP HOUSING SHROUD, LIMITED DETENT SMP																			
TOLERANCES UNLESS OTHERWISE SPECIFIED:		APVD B. MOYER 4-18-05																				
<table border="1"> <tr><td>0 PLC</td><td>±</td><td>-</td></tr> <tr><td>1 PLC</td><td>±</td><td>-</td></tr> <tr><td>2 PLC</td><td>±</td><td>-</td></tr> <tr><td>3 PLC</td><td>±</td><td>.005 (0.13)</td></tr> <tr><td>4 PLC</td><td>±</td><td>-</td></tr> <tr><td>ANGLES</td><td>±</td><td>1°</td></tr> </table>		0 PLC	±	-	1 PLC	±	-	2 PLC	±	-	3 PLC	±	.005 (0.13)	4 PLC	±	-	ANGLES	±	1°	PRODUCT SPEC	NAME	RESTRICTED TO
0 PLC	±	-																				
1 PLC	±	-																				
2 PLC	±	-																				
3 PLC	±	.005 (0.13)																				
4 PLC	±	-																				
ANGLES	±	1°																				
MATERIAL SEE TABLE		FINISH SEE TABLE	APPLICATION SPEC	SIZE A2																		
		WEIGHT -	CAGE CODE 00779	DRAWING NO 1757026																		
		CUSTOMER DRAWING		SCALE 10:1																		
				SHEET 1 OF 1																		
				REV A																		

单击下面可查看定价，库存，交付和生命周期等信息

[>>TE Connectivity\(泰科\)](#)