

NOTES:

1. THIS PROTECTIVE COVER IS DESIGNED TO PROTECT THE INTERFACE OF MTC100 PLUG CONNECTORS. THE PARTS ALSO OFFER ELECTROMAGNETIC EMISSION PROTECTION.

2. **MATING TORQUE**

FOR PROPER MATING CONDITION, SCREWS MUST BE EQUALLY TIGHTENED AND LOOSENED BY ONE HALF TURN A TIME TO PREVENT ANY DAMAGES TO THE MATING GASKET. RETENTION SCREWS ARE TO BE TORQUED TO 7±0.5 in-lbs.

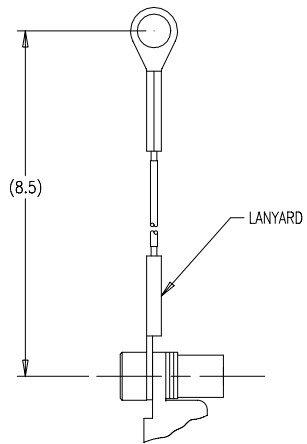
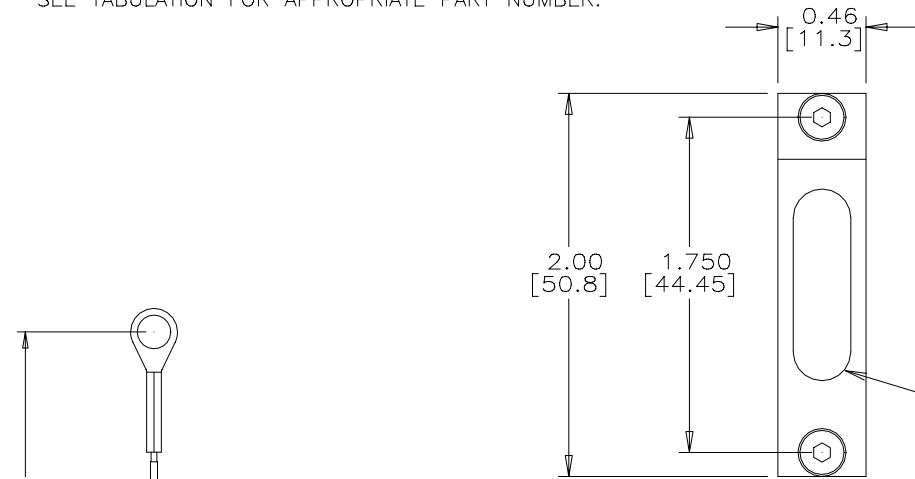
3. MATERIAL:

- a. HOUSING ALUMINUM ALLOY PER QQ-A-601 OR QQ-A-225
- b. ADAPTER SCREW STAINLESS STEEL PER QQ-S-763
- c. GASKET CONDUCTIVE FLUOROSILICONE ELASTOMER
- d. FLAT WASHER STAINLESS STEEL PER QQ-S-766
- e. ADAPTER NUT STAINLESS STEEL PER QQ-S-766
- f. PANEL WASHER STAINLESS STEEL PER QQ-S-766
- g. LANYARD STAINLESS STEEL PER QQ-S-766

4. FINISH:

- a. HOUSING CADMIUM PLATE PER QQ-P-416 OVER NICKEL UNDERPLATE
- b. ADAPTER SCREW CADMIUM PLATE PER QQ-P-416
- c. FLAT WASHER CADMIUM PLATE PER QQ-P-416
- d. ADAPTER NUT CADMIUM PLATE PER QQ-P-416
- e. PANEL WASHER CADMIUM PLATE PER QQ-P-416
- f. LANYARD CADMIUM PLATE PER QQ-P-416

5. "RAYCHEM", PART NUMBER AND DATE CODE STAMPED APPROXIMATELY AS SHOWN. SEE TABULATION FOR APPROPRIATE PART NUMBER.

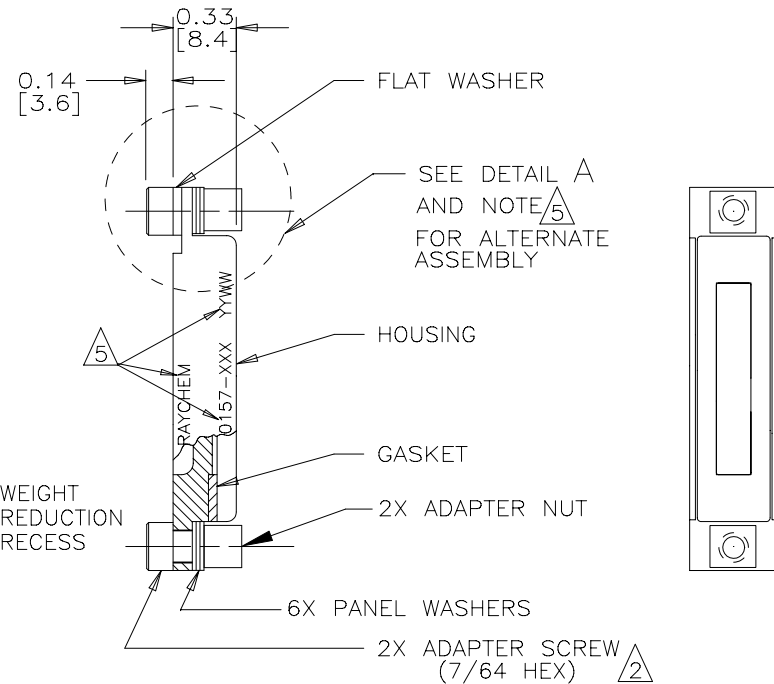


5 PART NUMBER	DESCRIPTION	WEIGHT (MAXIMUM)
CHA-0157	WITHOUT LANYARD	.068 LBS. [30.7 gr.]
CHA-0157-009	WITH LANYARD PER DETAIL A	.073 LBS. [33.0 gr.]

DETAIL A  
FOR CHA-0157-009 PART ONLY

REVISIONS		
LTR	DESCRIPTION	DATE
A	REVISED PER ECN T-30358	12/4/2001
		APPROVED M.HIGGY

**If this document is printed it becomes uncontrolled.  
Check with the web for latest revision.**



SPECIFICATION CONTROL DRAWING

UNLESS OTHERWISE SPECIFIED DIMENSIONS ARE IN INCHES. METRIC DIMENSIONS ARE IN BRACKETS.	DRAWN	ZS.ORBAN	11/16/2001	<b>tyco</b> /Electronics/Raychem	WIRE AND HARNESSING PRODUCTS 307 CONSTITUTION DRIVE MENLO PARK, CALIFORNIA 94025		
	CHECKED				TITLE	COVER, PROTECTIVE, RECEPTACLE TYPE, 1", EME COMPATIBLE MTC100 SERIES	
	DECIMALS	.XXX ±.010	{ .25 mm	APPROVED			
		.XX ±.02	{ .5 mm	APPROVED	M.HIGGY	11/16/2001	
ANGLES	.X ±		CAD NAME	T30358.DWG			
WEIGHT	SEE TABULATION		THIRD ANGLE PROJECTION	SIZE	CODE IDENT. NO.	DWG. NO.	REV
				A	06090	CHA-0157-XXX	A
				DO NOT SCALE THIS DRAWING			SHEET 1 OF 1

DWG NO. CHA-0157-XXX SHEET

单击下面可查看定价，库存，交付和生命周期等信息

[>>TE Connectivity\(泰科\)](#)