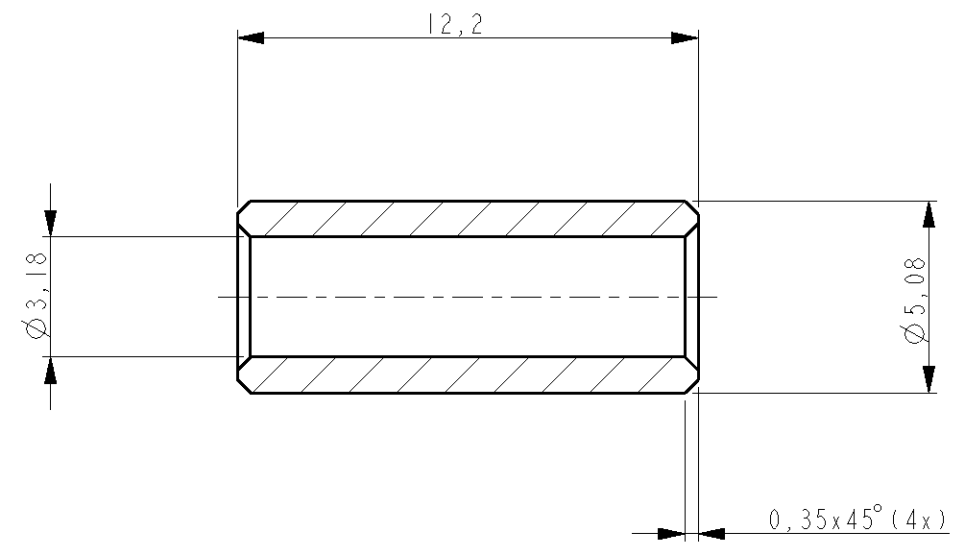


THIS DRAWING IS UNPUBLISHED. RELEASED FOR PUBLICATION -  
 © COPYRIGHT - BY TYCO ELECTRONICS CORPORATION. ALL RIGHTS RESERVED.

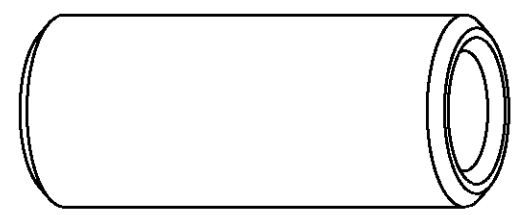
LOC	DIST	REVISIONS					
		P	LTR	DESCRIPTION	DATE	DWN	APVD
H	-		A	FIRST ISSUE	24SEP2008	JV	RD

NOTES:

- ITEMS PROVIDED TO THIS SPECIFICATION SHALL BE IDENTIFIED ON THE CONTAINER WITH THE FOLLOWING INFORMATION: PART NUMBER & DATE CODE OF MFR.
- MATERIAL: COPPER ALLOY
- FINISH: SILVER PLATED 5µm MIN THK. OVER NICKEL 1µm MIN THK.



SECTION A - A



ORDERNR: 1766885-1 AS SHOWN

<small>THIS DRAWING IS A CONTROLLED DOCUMENT FOR TYCO ELECTRONICS CORPORATION          IT IS SUBJECT TO CHANGE AND THE CONTROLLING ENGINEERING ORGANIZATION          SHOULD BE CONTACTED FOR THE LATEST REVISION.</small>		DWN	J. VOS	24-Sep-08	Tyco Electronics Corporation 's-Hertogenbosch, Nederland	
DIMENSIONS: mm		CHK	R. DAAMEN	24-Sep-08		
		APVD	R. VD. SANDT	-		
TOLERANCES UNLESS OTHERWISE SPECIFIED: 0 PLC ±- 1 PLC ±0,2 2 PLC ±0,1 3 PLC ±- 4 PLC ±- ANGLES ±3°		PRODUCT SPEC	NAME			
MATERIAL -		APPLICATION SPEC	BUSHING, SIZE #8 REDUCER CRIMP TO SIZE #12 AWG, RAPID LOCK			
FINISH -		WEIGHT -	SIZE	CAGE CODE	DRAWING NO	RESTRICTED TO
		CUSTOMER DRAWING	A3	00779	1766885	-
			SCALE	SHEET	OF	REV
			5:1	1	1	A

单击下面可查看定价，库存，交付和生命周期等信息

[>>TE Connectivity\(泰科\)](#)