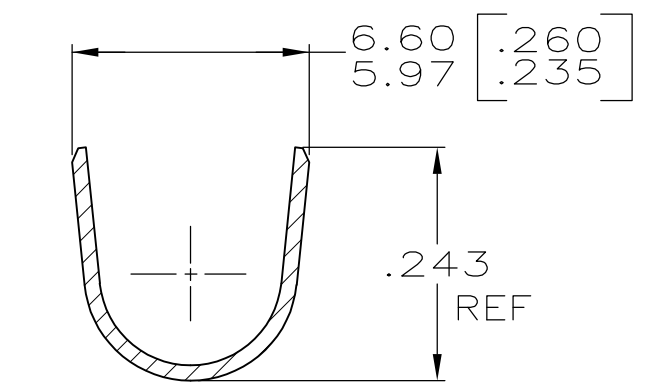
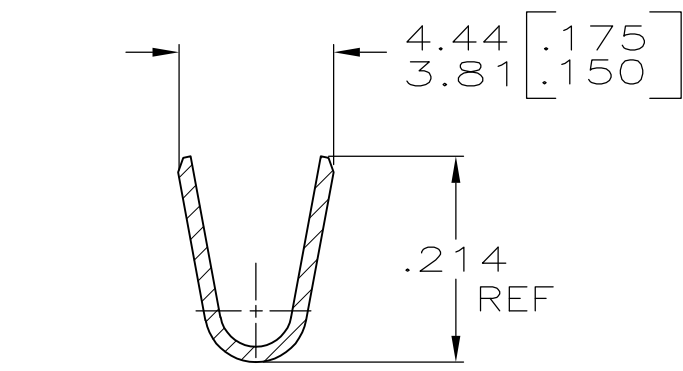
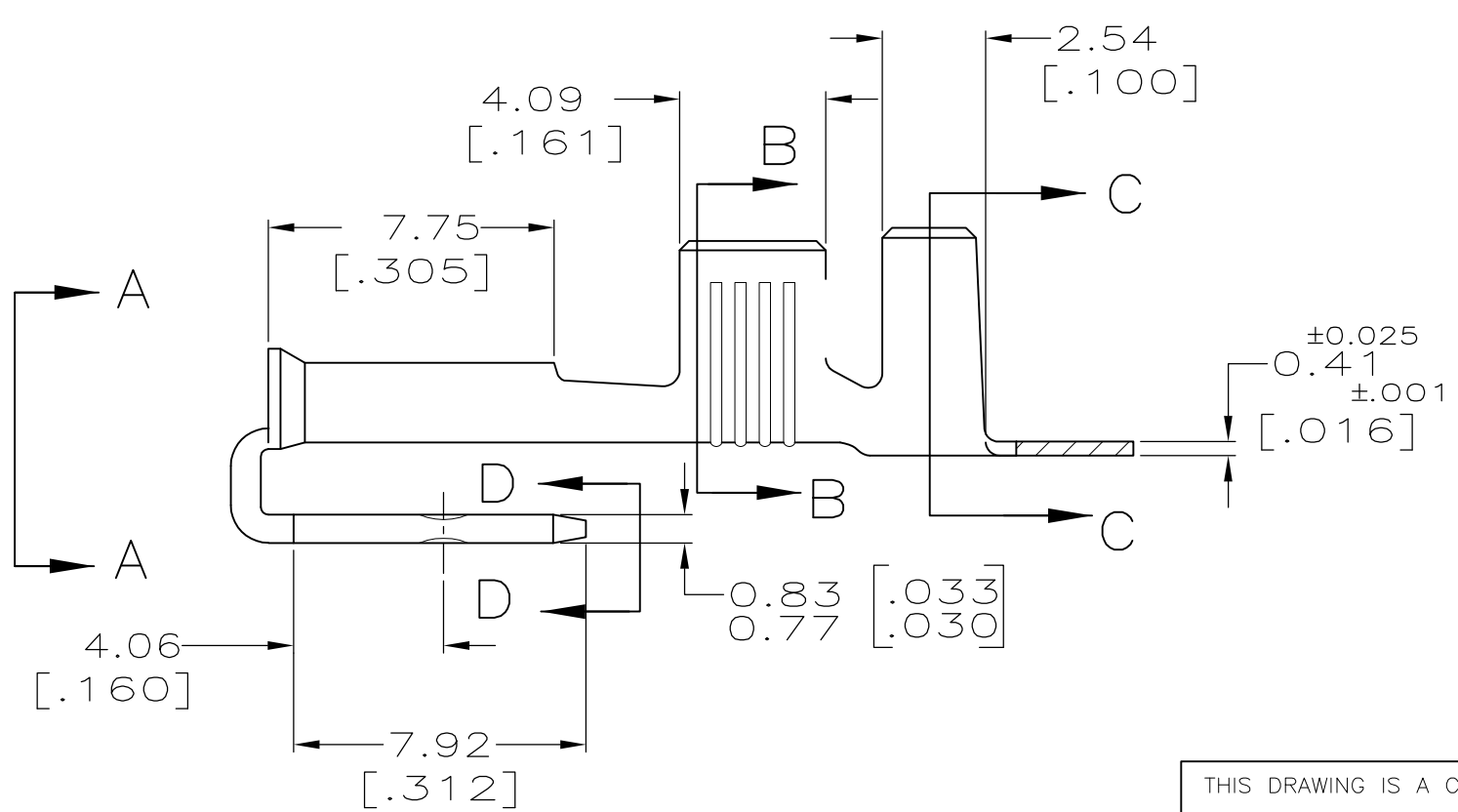
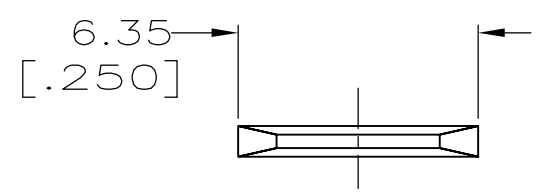
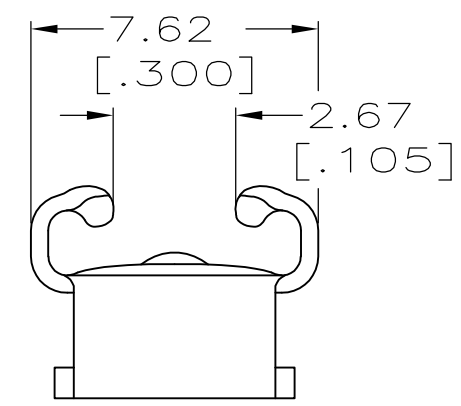
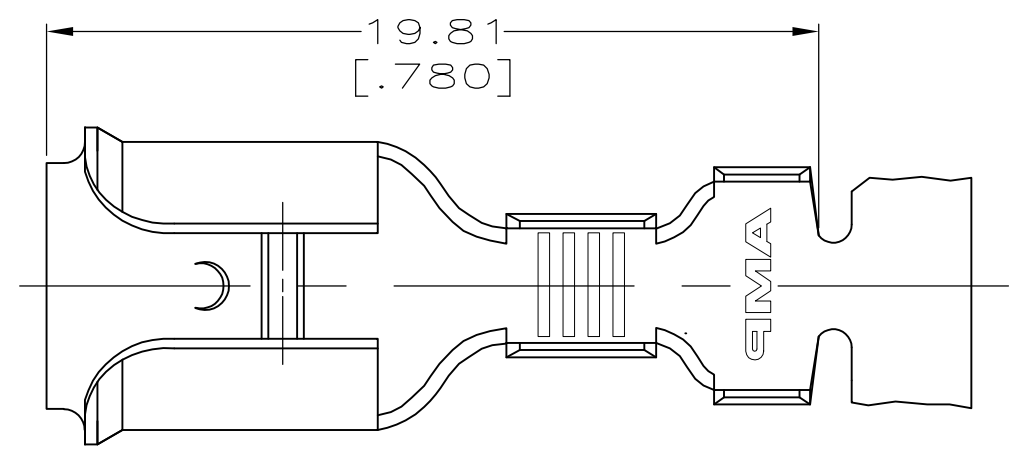


THIS DRAWING IS UNPUBLISHED. RELEASED FOR PUBLICATION
 © COPYRIGHT - By - ALL RIGHTS RESERVED.

LOC	DIST	REVISIONS			
P	LTR	DESCRIPTION	DATE	DWN	APVD
AF	50				
	D	REVISED PER ECR-12-013518	26NOV2012	KH	PD

- 1 CONTINUOUS STRIP ON REELS.
- 2 MATING TAB THK 0.813±0.025 [.032±.001].
- 3 WIRE SIZE [#14-#10] AWG.
- 4 INSUL RANGE IS 3.81-5.08 [.150-.200] DIA.



1217043-1
 PART NO.

THIS DRAWING IS A CONTROLLED DOCUMENT.		DWN	JR RUTH	12/18/97	TE Connectivity NAME RECEPTACLE, FASTON, PIGGYBACK, 6.35 [.250] SERIES
DIMENSIONS: mm [INCHES]		CHK	MS FEHER	12/18/97	
TOLERANCES UNLESS OTHERWISE SPECIFIED:		APVD	P DESANTIS	12/18/97	
0 PLC ± - 1 PLC ± - 2 PLC ± 0.25 [.010] 3 PLC ± - 4 PLC ± - ANGLES ± -		PRODUCT SPEC	-	-	
MATERIAL	BRASS	FINISH	0.002032 [.000080] MIN TIN	APPLICATION SPEC	-
		WEIGHT	-	SIZE	A3
		CUSTOMER DRAWING		CAGE CODE	00779
				DRAWING NO	C-1217043
				RESTRICTED TO	-
		SCALE	5:1	SHEET	1 OF 1
				REV	D

单击下面可查看定价，库存，交付和生命周期等信息

[>>TE Connectivity\(泰科\)](#)