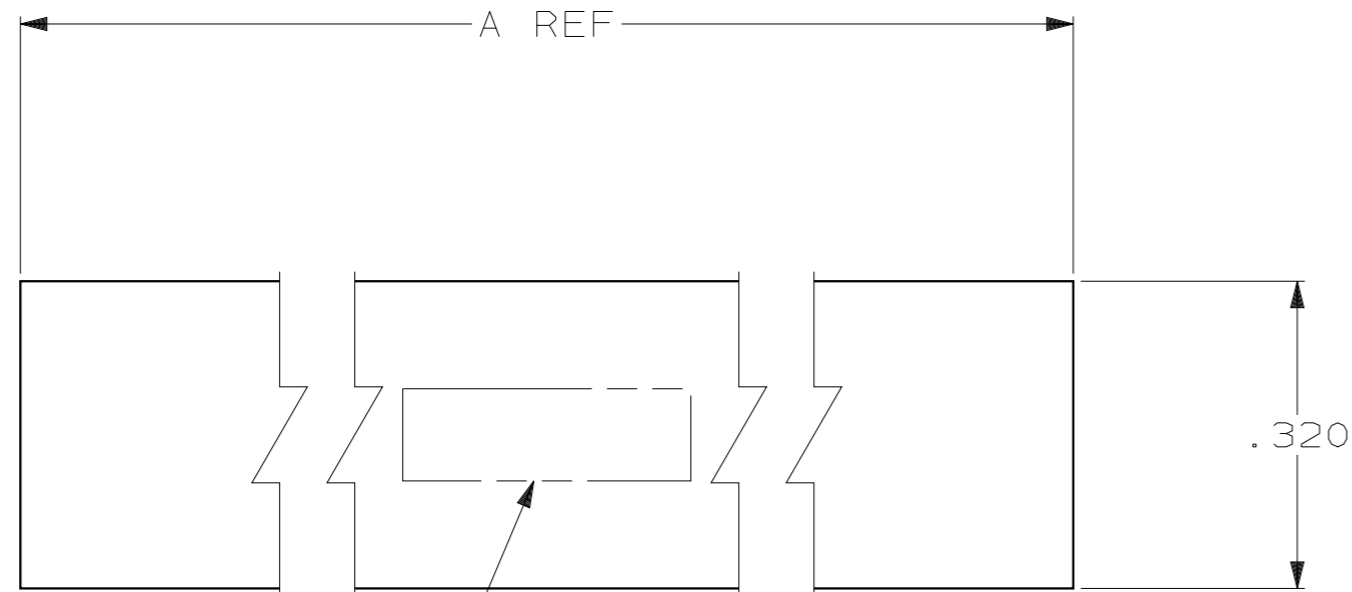


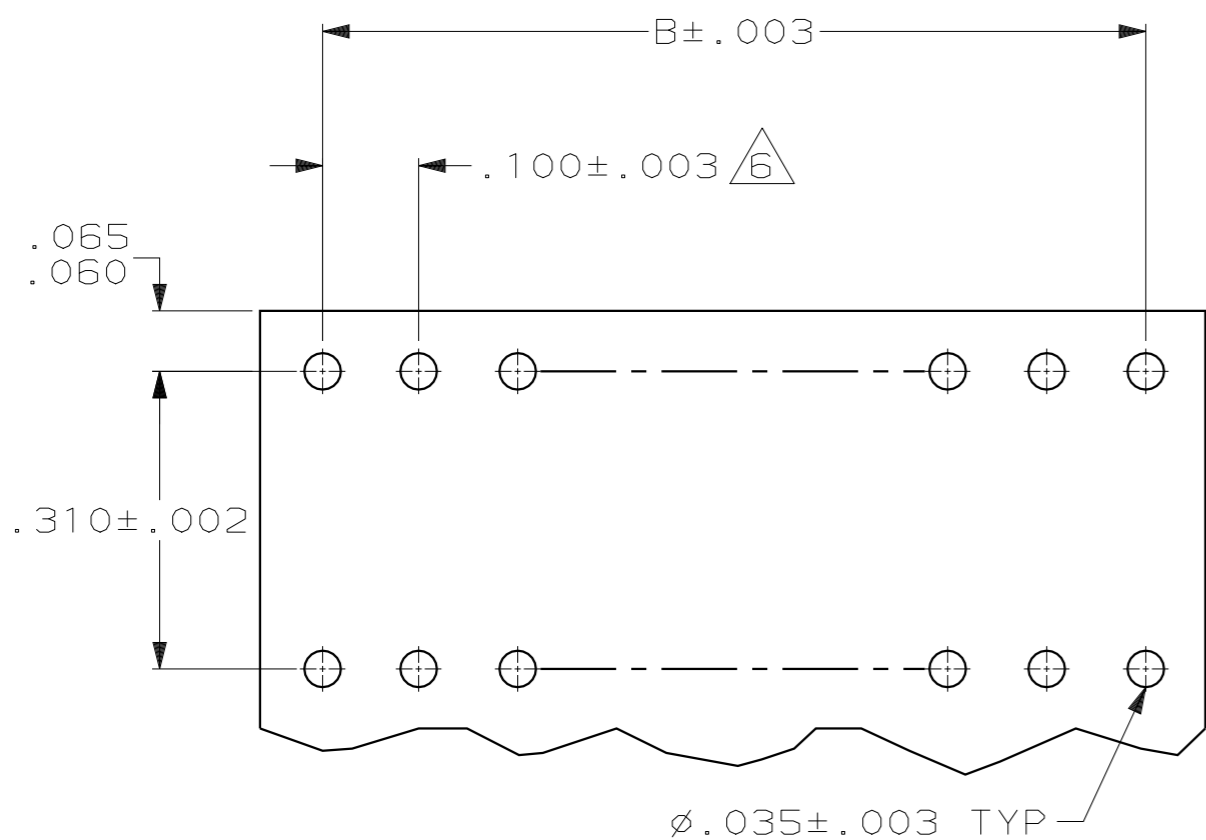
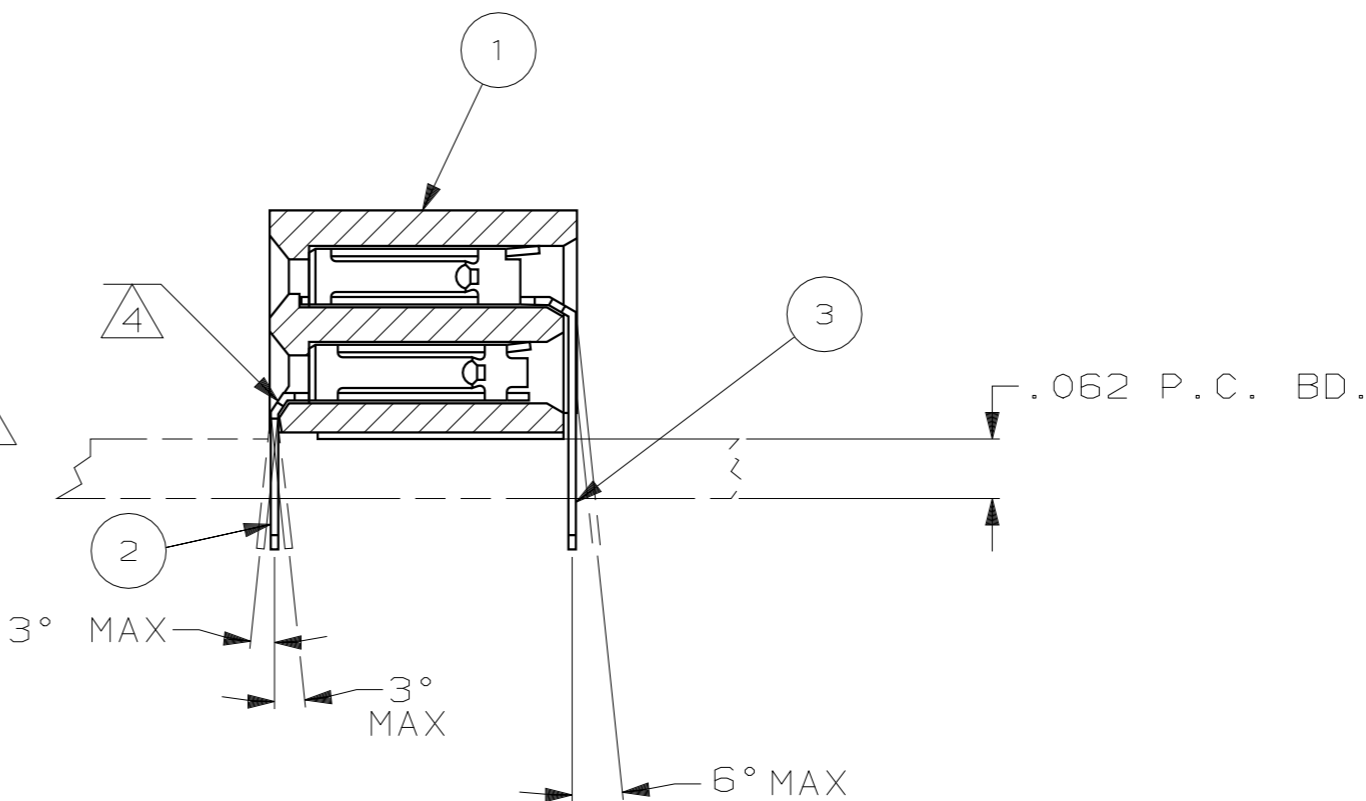
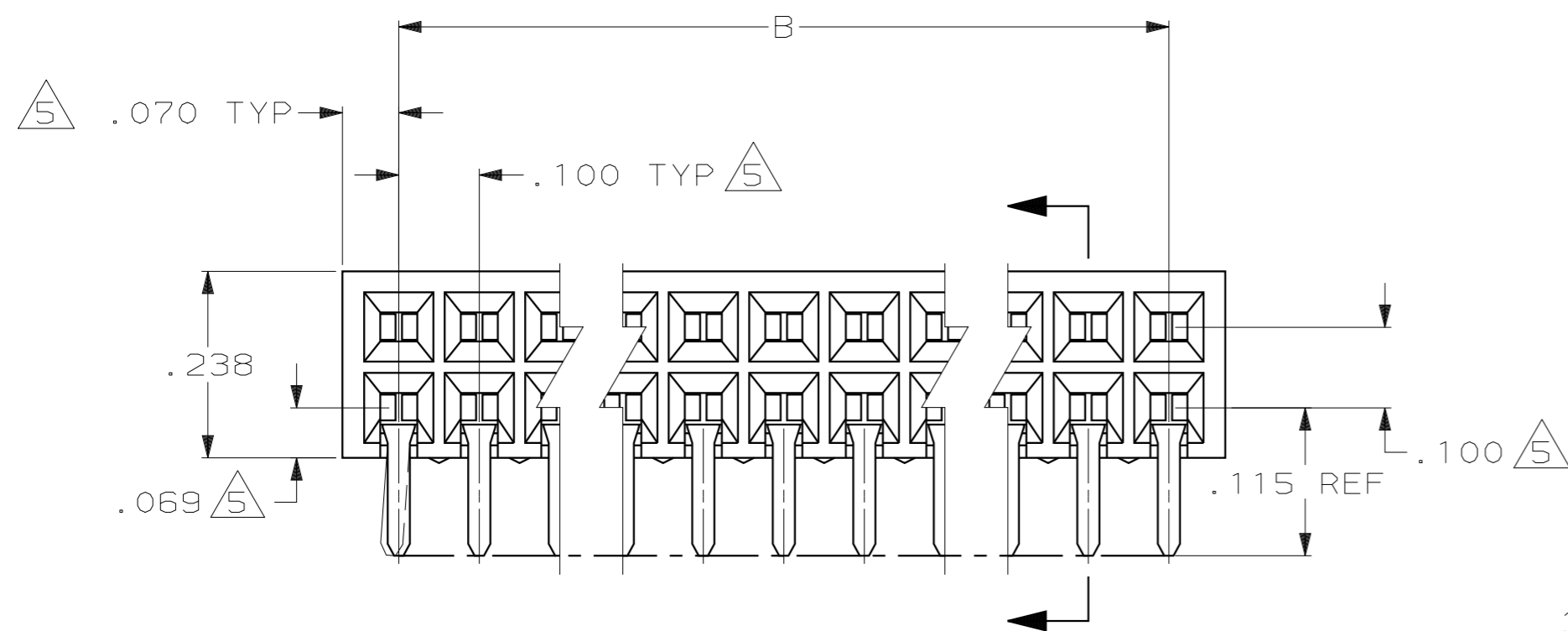
THIS DRAWING IS UNPUBLISHED. RELEASED FOR PUBLICATION
 BY AMP INCORPORATED. ALL RIGHTS RESERVED.

LOC	DIST	REVISIONS					
DF	ZO	P	LTR	DESCRIPTION	DATE	DWN	APVD
		F		REV PER OH14-0347-05	7-12-05	CT	DN



1 0934450CNPC78712-1
 00779 XXXX FRONT

- 1 MARKED AS SHOWN IN .062 HIGH CHARACTERS APPROXIMATELY CENTER OF HOUSING.
- 2 HOUSING: DIALLYL PHTHALATE COLOR: BLUE.
- 3 CONTACT: PHOS. BRONZE.
- 4 FINISH .000030 GOLD OVER .000050 NI.
- 5 THESE DIMENSIONS PERTAIN TO CAVITY CENTERLINES ONLY NOT TO CONTACT LOCATIONS.
- 6 TOLERANCES NOT ACCUMULATIVE.
- 7. MARK "CSA" LOGO ON PART.
- 8. SPECIAL TESTING REQUIRED PER KAISER ELECTRONICS DRAWING PC78712 TABLE 1 EXCEPT DISREGARD DIELECTRIC WITHSTANDING VOLTAGE AT 70,000 FEET ALTITUDE TEST.
- 9. ALL CONTACTS ARE SOLDER DIPPED TO WITHIN .020 OF HOUSING PER MIL_STD-202 METHOD 208.



RECOMMENDED P.C. BD. HOLE LAYOUT.

1.200	1.340	26	534271-1
DIM B	DIM A	NO OF POSN	PART NUMBER

THIS DRAWING IS A CONTROLLED DOCUMENT FOR AMP INCORPORATED. IT IS SUBJECT TO CHANGE AND THE CONTROLLING ENGINEERING ORGANIZATION SHOULD BE CONTACTED FOR THE LATEST REVISION.		DWN J.A.Baker 12-05-94	AMP Incorporated Harrisburg, PA 17105-3608
DIMENSIONS: mm		CHK G.SCHAEFFER 12-05-94	
TOLERANCES UNLESS OTHERWISE SPECIFIED:		APVD G.SCHAEFFER 12-05-94	
0 PLC ±- 1 PLC ±- 2 PLC ±- 3 PLC ±- 4 PLC ±- ANGLES ±- FINISH ±-		NAME G.SCHAEFFER	
MATERIAL		PRODUCT SPEC -	APPLICATION SPEC -
		WEIGHT -	SIZE A2
		CUSTOMER DRAWING	CAGE CODE 00779
			DRAWING NO C-534271
			SCALE 5:1 SHEET 1 OF 1 REV F

单击下面可查看定价，库存，交付和生命周期等信息

[>>TE Connectivity\(泰科\)](#)